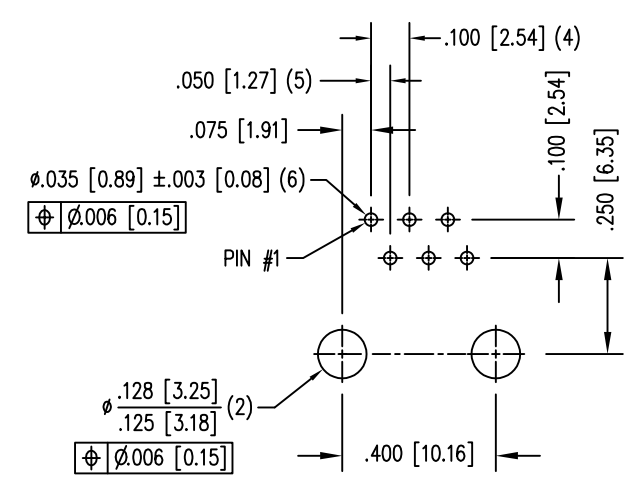
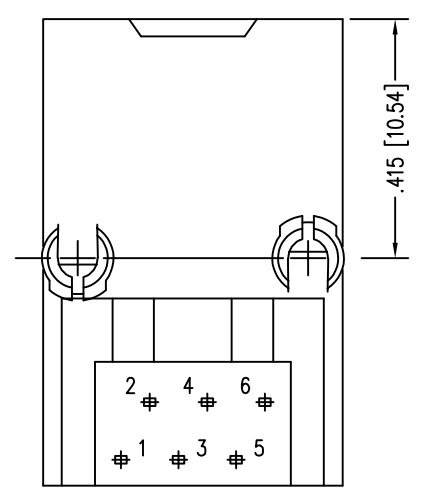
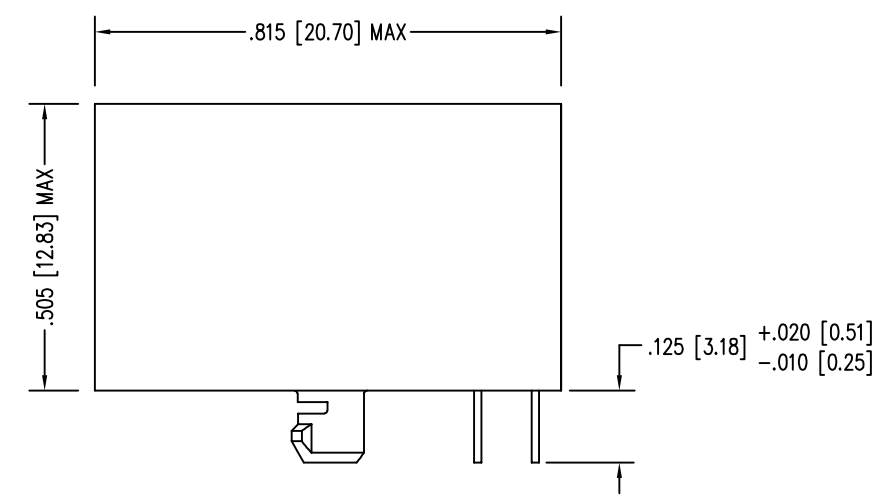
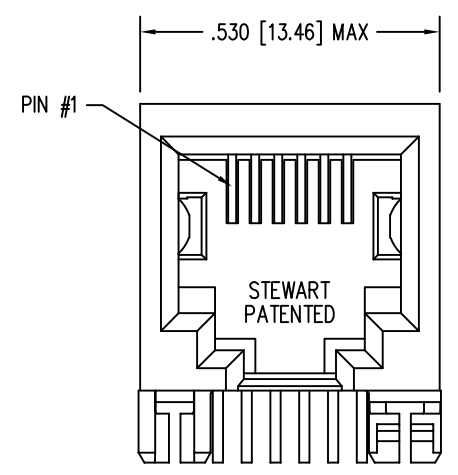


DATE	REV	ECN	APP'D. BY
1-13-15	A5	10190	TRM
3-9-16	A6	10597	TRM
7-10-23	B0	12208	JE



- NOTES:
- CONNECTOR MATERIALS:
HOUSING: THERMOPLASTIC UL94 V-0
CONTACTS: COPPER ALLOY
CONTACT PLATING: SELECTIVE GOLD IN CONTACT AREA
SEE CHART FOR PART NUMBER
 - FOR PRODUCT SPECIFICATIONS SEE PR022-01.
 - RATED AT MAX. 260°C FOR MAX. 10 SECS.
 - DIMENSIONS AND TOLERANCES COMPLY WITH TIA-1096 STANDARD.

30 MICRO-INCHES [0.76um]	SS64600-020F
CONTACT PLATING IN MATING AREA	PART NUMBER

THIRD ANGLE PROJECTION	<p>1118 Susquehanna Trail South Glen Rock, PA 17327-9199 (717) 235-7512 http://www.stewartconnector.com</p>
DO NOT SCALE DRAWING DRAWING IS SUBJECT TO CHANGE WITHOUT NOTICE	
DIMENSIONS: INCHES [METRIC]	TITLE: SIX CONTACT, SIX POSITION JACK, NON-FLANGE WITH ACTI-SNAP POSTS, HIGH TEMP APPLICATION
UNLESS OTHERWISE SPECIFIED TOLERANCES ARE $\pm .005 [0.13]$ ANGLES ARE $\pm 1^\circ$	DRN BY: RVO DATE: 3-28-05
SHEET NO. 1 OF 1	APPD BY: RGC DATE: 3-29-05
	DWG NO. CT640240F REV. B0



B

B

A

A

2

1

2

1

AutoCAD