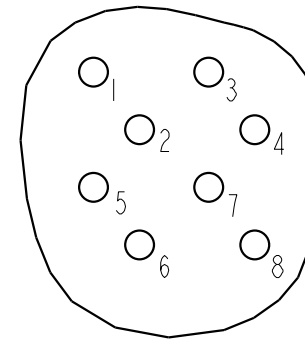
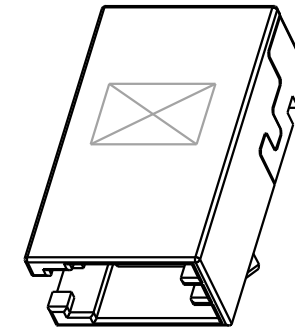
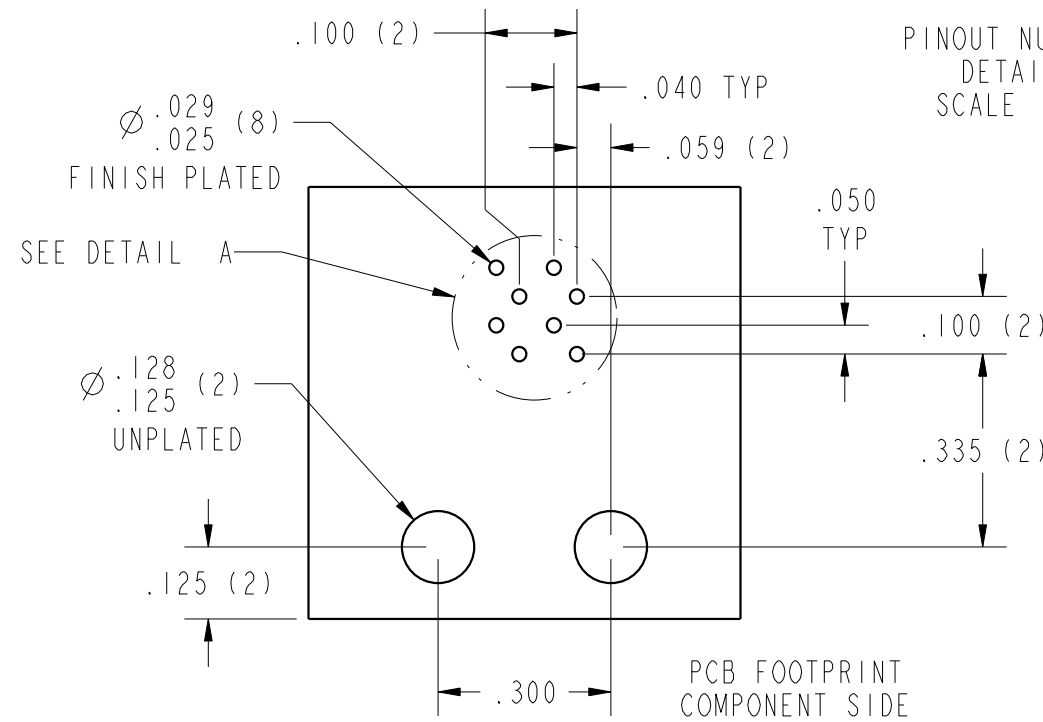
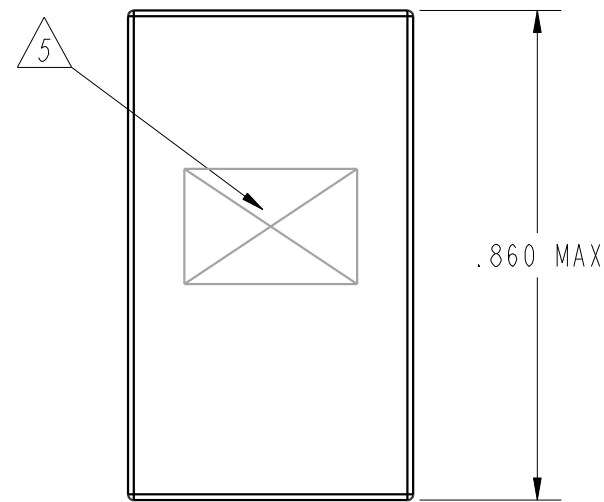


DATE	REV.	ECN	APP'D BY
2-23-15	A1	10263	ADB
3-30-16	A2	10654	TRM

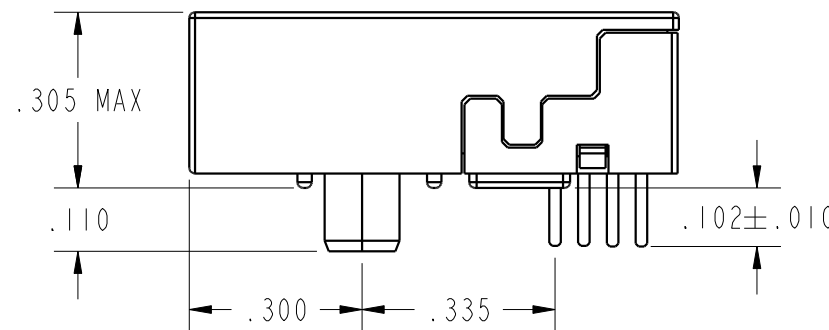
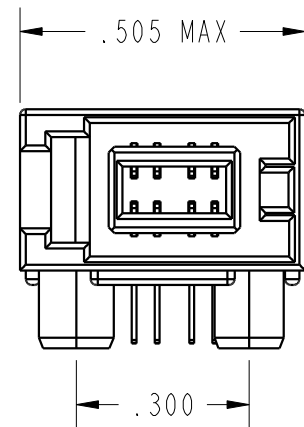


PINOUT NUMBERING
DETAIL A
SCALE 6.000



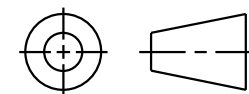
NOTES:

- CONNECTOR MATERIALS
HOUSING: THERMOPLASTIC UL94 V-0
CONTACTS: COPPER ALLOY
CONTACT PLATING: SELECTIVE GOLD OVER PALADIUM-NICKEL
 - REFER TO PRODUCT SPECIFICATION PR036-01.
 - WAVE SOLDER COMPATIBLE TO 260°C
 - PoE+ CAPABLE
- 5 LOGO, PART NUMBER, AND DATE CODE LOCATED IN THIS APPROXIMATE AREA.



30 μIN Pd-Ni, FLASH Au	RJP5-10-0001
CONTACT PLATING IN MATING AREA	PART NUMBER

THIRD ANGLE PROJECTION



11118 Susquehanna Trail South
Glen Rock, PA 17327-9199
(717) 235-7512
<http://www.stewartconnector.com>

DO NOT SCALE DRAWING

DRAWING IS SUBJECT TO CHANGE WITHOUT NOTICE

DIMENSIONS: INCHES [METRIC]

UNLESS OTHERWISE SPECIFIED
TOLERANCES ARE ±.005 [0.13]
ANGLES ARE ±1°

SHEET NO.
1 OF 1

RJ POINT FIVE, JACK, HORIZONTAL,
SINGLE PORT, UNSHIELDED

THIS DRAWING AND THE SUBJECT MATTER SHOWN THEREON ARE CONFIDENTIAL AND THE PROPRIETARY PROPERTY OF STEWART CONNECTOR AND SHALL NOT BE REPRODUCED, COPIED, OR USED IN ANY MANNER WITHOUT PRIOR WRITTEN CONSENT OF STEWART CONNECTOR. ONE OR MORE U.S. PATENTS MAY APPLY TO THIS PRODUCT. FOR DETAILS, PLEASE VISIT: [HTTP://BELFUSE.COM/STEWART/STEWART_PATENTS/](http://BELFUSE.COM/STEWART/STEWART_PATENTS/)

DRN BY:	SAW	DATE	6-30-11
APPD BY:	JLB	DATE	12-20-11
DWG. NO.	CT999041	REV.	A2

RJ POINT FIVE IS A TRADEMARK OF TE CONNECTIVITY USED HERE BY PERMISSION

