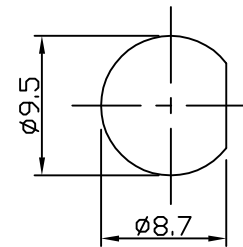
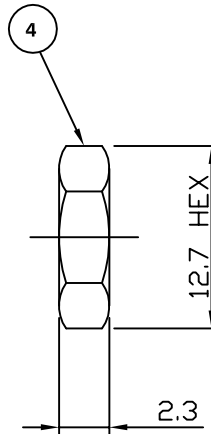
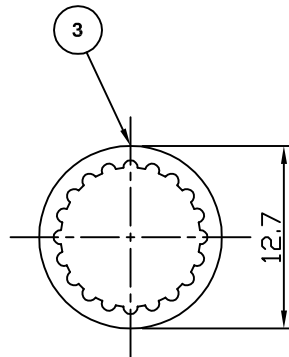
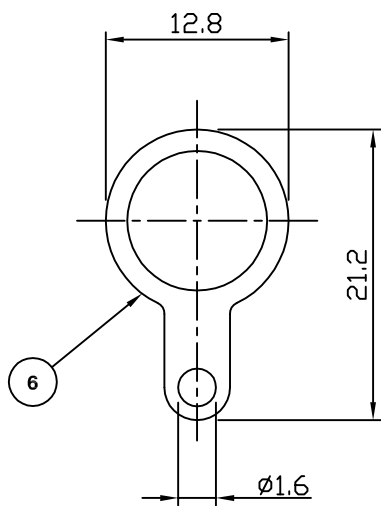
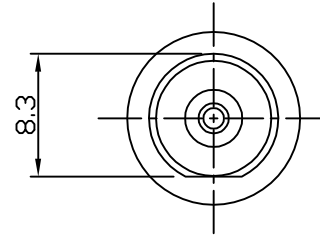
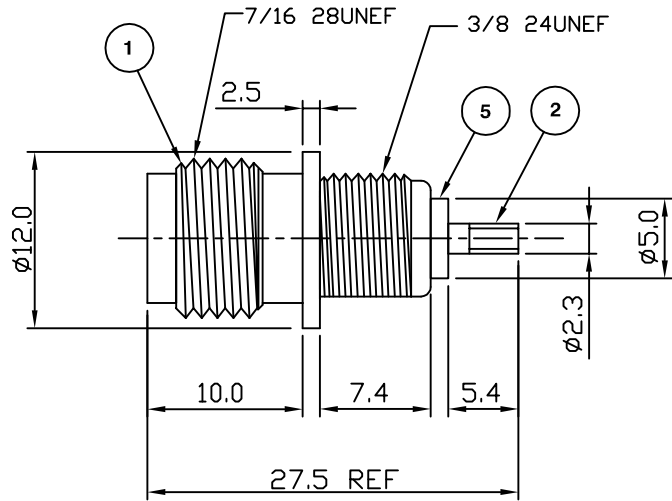


RoHS COMPLIANT



Panel Cut Out

Electrical Characteristics

Nominal Impedance:	50 ohms
Frequency Range:	DC to 11 GHz
Operating Voltage (rms):	500 V maximum at sea level
Dielectric Withstand Voltage (rms):	1500 V maximum at sea level
Contact Resistance:	1.5 milliohms maximum
Insulation Resistance:	5000 megohms minimum

Mechanical Characteristics

Mating Cycles:	500 cycles minimum
Interface Dimensions:	Conform to MIL-C-39012

Environmental Characteristics

Temperature Range:	-55 °C to +85 °C
--------------------	------------------

PART	DESCRIPTION
1	Body Brass, nickel plated
2	Contact Brass, gold plated
3	Washer Steel, nickel plated
4	Nut Steel, nickel plated
5	Insulation Delrin
6	Grounding lug Steel, nickel plated

DESCRIPTION OF REVISION	APPVD	ISS	DATE
Correct Dimensions	MS	2	12 Apr 12
First Issue	JW	1	10 Apr 06



Cinch Connectivity Solutions
7-13 Russel Way,
Widford Industrial Estate,
Chelmsford,
Essex, CM1 3AA, UK
Tel: +44 (0) 1245 359515
Fax: +44 (0) 1245 358938

SCALE: Not To Scale

DIMENSIONS: mm

TOLERANCES:
± 0.2mm unless
otherwise stated

DRAWN BY:

J Williams

CHECKED BY:

M Terry

APPROVED BY:

A Tusi

DATE:

10 Apr 06

TITLE:

TNC Panel Mount Jack

PART NUMBER:

VT1094A

PAGE: 1 of 1