

# Type 0ALG

## 1000VDC, Fast Acting Fuse for EV/HEV

0ALG Series

RoHS Compliant

### Description

1000Vdc ideal for EV or HEV application

### Features

- Excellent DC performance
- Full compliance with EU Directive 2011/65/EU and amending directive 2015/863



### Applications

EV or HEV application



UK CA CE

### Physical Specifications

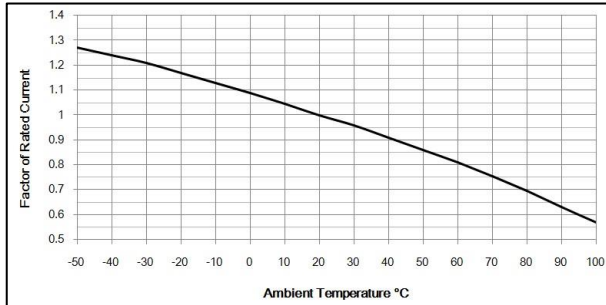
Materials	Body : Ceramic
	Cover: Stainless steel
	Terminals : Tin Plated Copper (For stud Mount type)
Marking	On Fuse :
	"bel"
	"0ALG", "Current Rating", "Voltage Rating"
	On Label :
	"bel", "0ALGX", "Current Rating", "Voltage Rating", "Interrupting Rating", and "  ", "  " (China RoHS compliant).

### Ratings

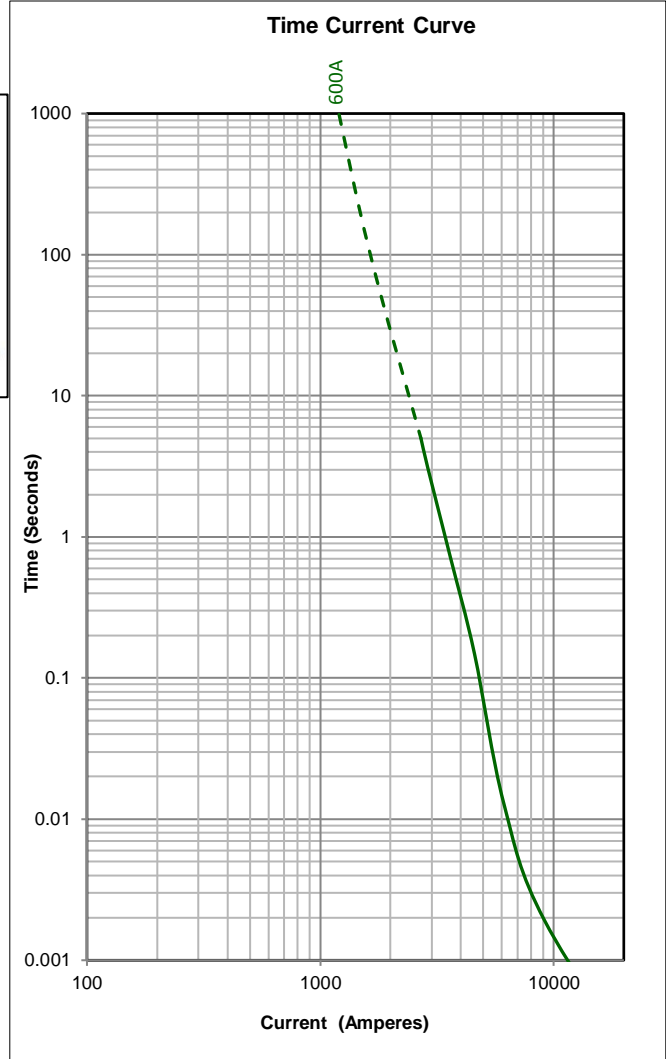
Ampere Rating / Voltage Rating	Ampere Range / Volt @ I.R. ability*
600A / 1000V DC	600A / 1000V @ 50kA DC
*I.R.= Interrupting Rating = Short Circuit Rating (Amps)	

## Temperature Derating Curve

Operating Temperature: -40°C to +100°C,  
with proper derating factor applied



## Average Time Current Curve



## Electrical Specifications

Part Number	Ampere Rating	Voltage and Interrupting Ratings	0.5In Power loss (W)
0ALGBK600-xx	600A	See Table of Ratings on Page 1 for Voltage and associated Interrupting Ratings	19.5

Consult manufacturer for other ratings

Temperature Rise: <50K with 50% of rated current



Specifications subject to change without notice

Bel Fuse Inc.  
206 Van Vorst Street  
Jersey City, NJ 07302 USA

+1 201.432.0463  
Bel.US.CS@belf.com  
[belfuse.com/circuit-protection](http://belfuse.com/circuit-protection)

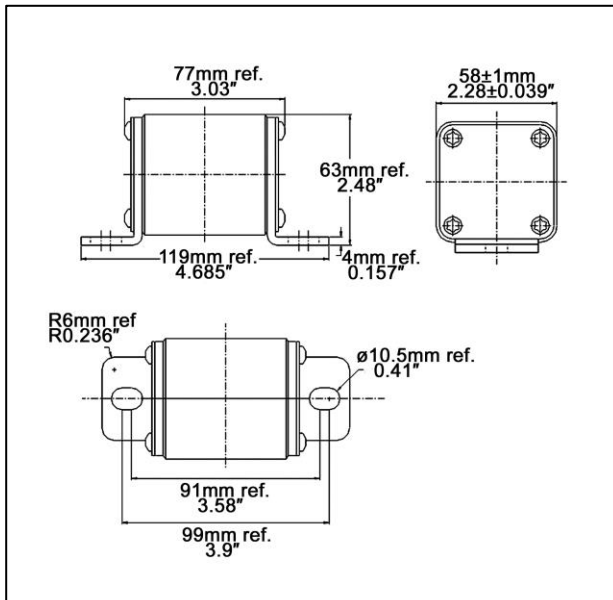
## Fuse FGNO Explanation

0ALG X [XXXX] - XX

0ALGB=0ALGB; [XXXX]=Ampere Rating; XX=See Ordering Information as below

Amps	Bel FGNO[XXXX]
600	K600

## Mechanical Dimensions



## Ordering Information

0ALG X XXXX - XX

FUSE TYPE \_\_\_\_\_  
0ALG

Mounting Tab Style \_\_\_\_\_  
B=For Stand Mount

AMPERE RATING \_\_\_\_\_  
Refer to fuse FGNO explanation table

PACKAGING CODE \_\_\_\_\_  
E= EPE, Pearl cotton pack

QUANTITY CODE \_\_\_\_\_  
A = 5pcs/EPE, 2EPE/Box (10pcs per Box)

## Packaging

Packaging Option	Quantity	Packaging Code
EPE, Pearl cotton pack	5pcs/EPE, 2EPE/Box (10pcs per Box)	EA