

# Fixed Length Cable Assemblies

## SMA STRAIGHT PLUG TO N STRAIGHT PLUG

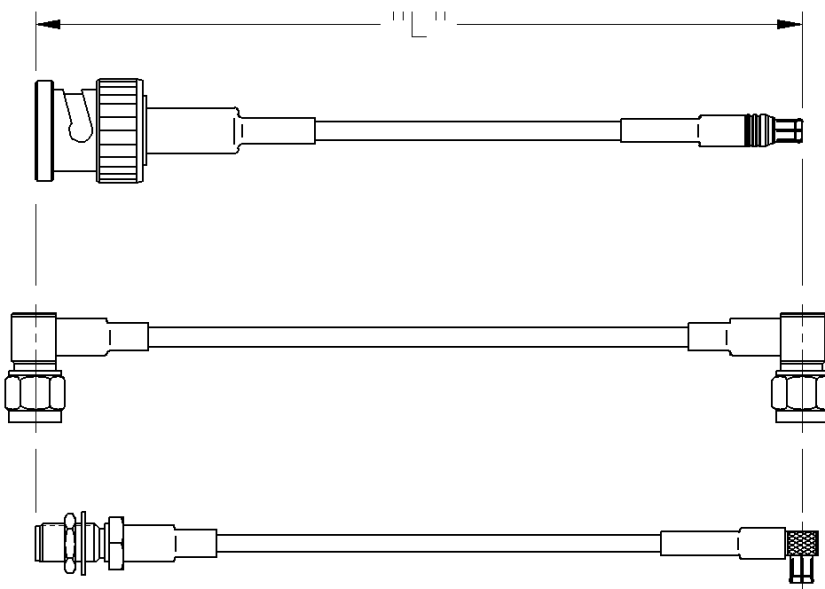
PART NUMBER	CABLE TYPE	CABLE LENGTH	CONNECTOR A	CONNECTOR B
415-0059-012	RG-58	12"	142-0407-011	CPN-1
415-0059-024	RG-58	24"	142-0407-011	CPN-1
415-0059-036	RG-58	36"	142-0407-011	CPN-1
415-0059-048	RG-58	48"	142-0407-011	CPN-1
415-0059-060	RG-58	60"	142-0407-011	CPN-1

PART NUMBER	CABLE TYPE	CABLE LENGTH	CONNECTOR A	CONNECTOR B
415-0061-012	RG-142	12"	142-0408-011	CPN-142T
415-0061-024	RG-142	24"	142-0408-011	CPN-142T
415-0061-036	RG-142	36"	142-0408-011	CPN-142T
415-0061-048	RG-142	48"	142-0408-011	CPN-142T
415-0061-060	RG-142	60"	142-0408-011	CPN-142T

### Electrical Ratings

Electrical ratings of a cable assembly are determined by the limiting connector type and cable size.

Connector	Cable	Connector Impedance (Ohms)	Frequency (GHz)	Dielectric Withstanding Voltage (Vrms)	Working Voltage (Vrms)
SMA	RG-178	50	12.4	500 Vrms	170 Vrms
	RG-316	50	12.4	750 Vrms	250 Vrms
	RG-316 DS	50	12.4	750 Vrms	250 Vrms
	RG-58	50	12.4	1000 Vrms	335 Vrms
	RG-142	50	12.4	1000 Vrms	335 Vrms
N	RG-58	50	11	1500 Vrms	500 Vrms
	RG-142	50	11	1500 Vrms	500 Vrms
	RG-8	50	11	1500 Vrms	500 Vrms
	RG-213	50	11	1500 Vrms	500 Vrms



Johnson Components' cable length applies to the end of straight connectors. The length is applied to the vertical centroid of right angle connectors.

The last three digits of the part number reflect the length of the cable in inches.