



INCHES (MILLIMETERS)
CUSTOMER DRAWINGS AVAILABLE UPON REQUEST



Fixed Length Cable Assemblies

MCX 75 OHM STRAIGHT PLUG TO MCX 75 OHM STRAIGHT PLUG



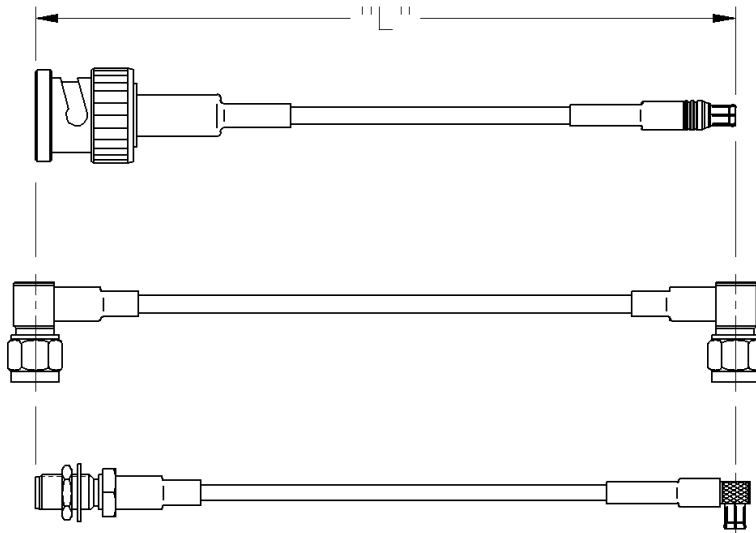
PART NUMBER	CABLE TYPE	CABLE LENGTH	CONNECTOR A	CONNECTOR B
415-0022-006	RG-179	6"	133-8433-001	133-8433-001
415-0022-012	RG-179	12"	133-8433-001	133-8433-001
415-0022-018	RG-179	18"	133-8433-001	133-8433-001
415-0022-024	RG-179	24"	133-8433-001	133-8433-001
415-0022-030	RG-179	30"	133-8433-001	133-8433-001
415-0022-036	RG-179	36"	133-8433-001	133-8433-001

PART NUMBER	CABLE TYPE	CABLE LENGTH	CONNECTOR A	CONNECTOR B
415-0023-006	Belden 735 A	6"	133-8445-001	133-8445-001
415-0023-012	Belden 735 A	12"	133-8445-001	133-8445-001
415-0023-018	Belden 735 A	18"	133-8445-001	133-8445-001
415-0023-024	Belden 735 A	24"	133-8445-001	133-8445-001
415-0023-030	Belden 735 A	30"	133-8445-001	133-8445-001
415-0023-036	Belden 735 A	36"	133-8445-001	133-8445-001

Electrical Ratings

Electrical ratings of a cable assembly are determined by the limiting connector type and cable size.

Connector	Cable	Connector Impedance (Ohms)	Frequency (GHz)	Dielectric Withstanding Voltage (Vrms)	Working Voltage (Vrms)
MCX 75 Ohm	RG-179	75	6	1000 Vrms	335 Vrms
	BELDEN 735A	75	6	1000 Vrms	335 Vrms



Johnson Components' cable length applies to the end of straight connectors. The length is applied to the vertical centroid of right angle connectors. The last three digits of the part number reflect the length of the cable in inches.