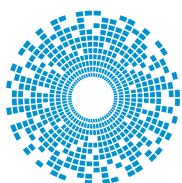
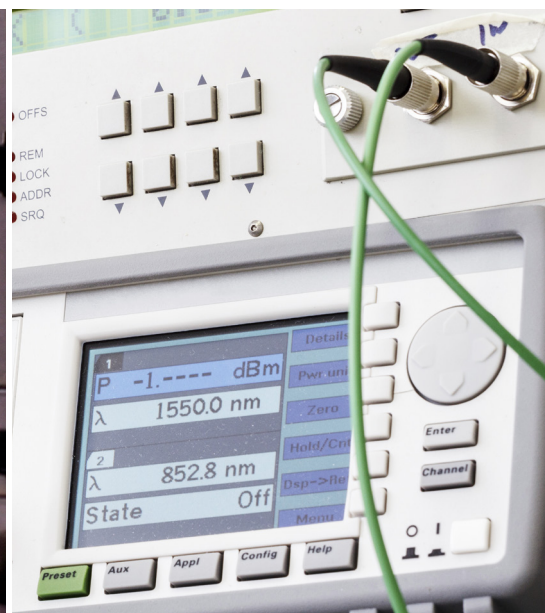


JOHNSON®

SMA High Frequency End Launch Connectors



cinch
CONNECTIVITY SOLUTIONS
a bel group

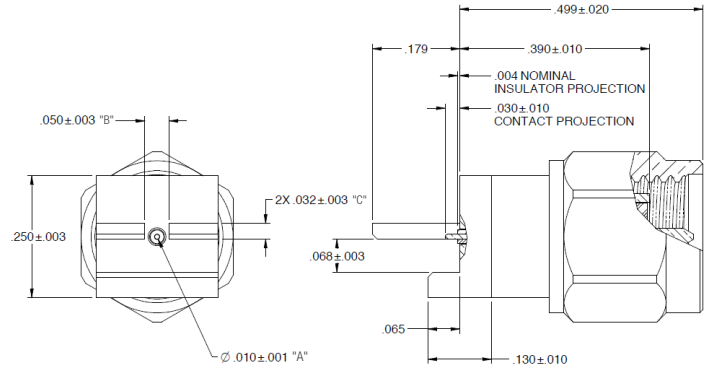
HIGH FREQUENCY SMA END LAUNCH CONNECTORS

Product Information



PLUG ASSEMBLY - END LAUNCH FOR .062 BOARD, 10 MIL PIN

Freq Range	Gold Plated	High Frequency Substrate Thickness	"A"	"B"	"C"
0-26.5 GHz	142-0861-851	.008 (0.20) - .014 (0.36)	.010 (0.25)	.050 (1.27)	.032 (0.81)

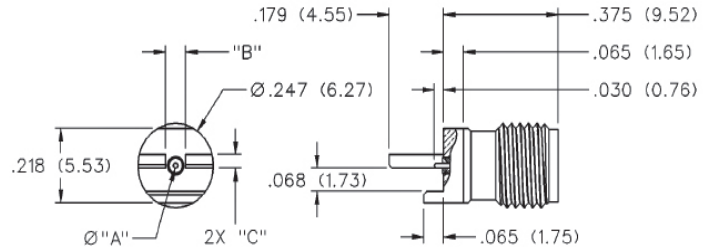


JACK RECEPTACLE - END LAUNCH FOR .062 BOARD, ROUND BODY

Freq Range	Gold Plated	High Frequency Substrate Thickness	"A"	"B"	"C"
0-26.5 GHz	142-0761-841	.008 (0.20) - .014 (0.36)	.010 (0.25)	.050 (1.27)	.032 (0.81)
	142-0761-861	.014 (0.36) - .020 (0.51)	.015 (0.38)	.067 (1.70)	.140 (1.02)



Coupling proof torque 8 inch pounds maximum without support wrench

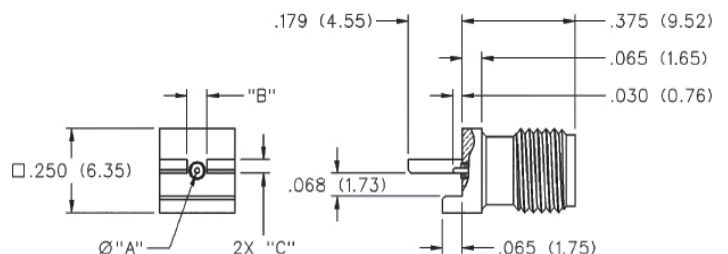


JACK RECEPTACLE - END LAUNCH FOR .062 BOARD, SQUARE BODY

Freq Range	Gold Plated	High Frequency Substrate Thickness	"A"	"B"	"C"
0-26.5 GHz	142-0761-851	.008 (0.20) - .014 (0.36)	.010 (0.25)	.050 (1.27)	.096 (2.44)
	142-0761-871	.014 (0.36) - .020 (0.51)	.015 (0.38)	.067 (1.70)	.113 (2.87)



Coupling proof torque 8 inch pounds maximum without support wrench



HIGH FREQUENCY SMA END LAUNCH CONNECTORS

Product Information

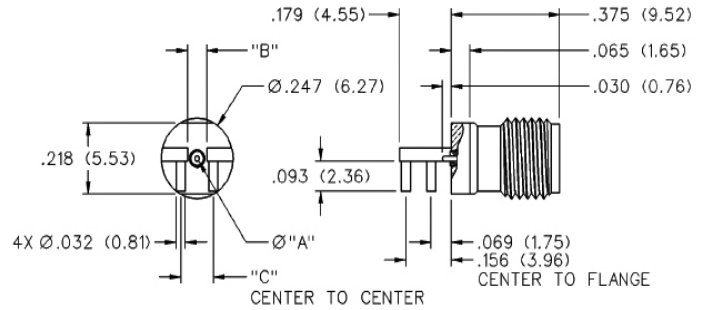


JACK RECEPTACLE – END LAUNCH, ROUND BODY

Freq Range	Gold Plated	High Frequency Substrate Thickness	"A"	"B"	"C"
0-26.5 GHz	142-0761-801	.008 (0.20) - .014 (0.36)	.010 (0.25)	.050 (1.27)	.096 (2.44)
	142-0761-821	.014 (0.36) - .020 (0.51)	.015 (0.38)	.067 (1.70)	.113 (2.87)



Coupling proof torque 8 inch pounds maximum without support wrench

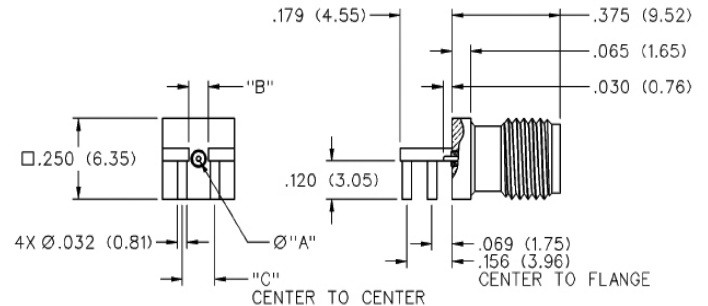


JACK RECEPTACLE – END LAUNCH, SQUARE BODY

Freq Range	Gold Plated	High Frequency Substrate Thickness	"A"	"B"	"C"
0-26.5 GHz	142-0761-811	.008 (0.20) - .014 (0.36)	.010 (0.25)	.050 (1.27)	.096 (2.44)
	142-0761-831	.014 (0.36) - .020 (0.51)	.015 (0.38)	.067 (1.70)	.113 (2.87)

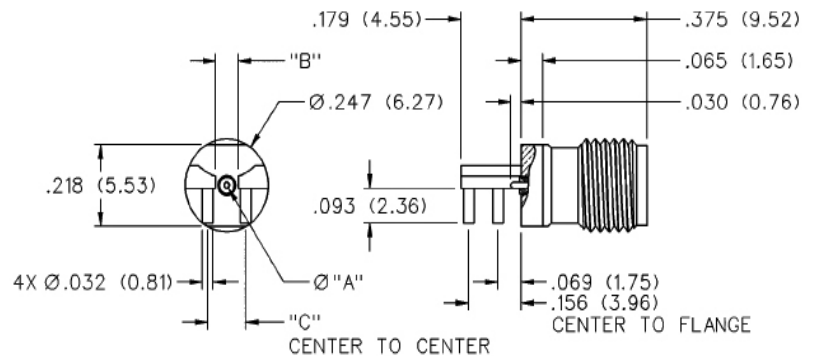


Coupling proof torque 8 inch pounds maximum without support wrench



JACK RECEPTACLE – END LAUNCH, ROUND BODY WITH THICK LEGS

Freq Range	Gold Plated	High Frequency Substrate Thickness	"A"	"B"	"C"
0-26.5 GHz	142-0761-881	.008 (0.20) - .014 (0.36)	.010 (0.25)	.050 (1.27)	.096 (2.44)
	142-0771-821	.014 (0.36) - .020 (0.51)	.015 (0.38)	.067 (1.70)	.113 (2.87)

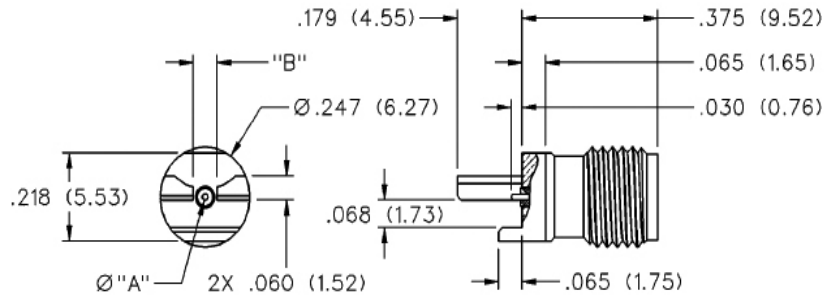


HIGH FREQUENCY SMA END LAUNCH CONNECTORS

Product Information & Assembly Tool



JACK RECEPTACLE – END LAUNCH FOR .062 BOARD, ROUND BODY WITH THICK LEGS

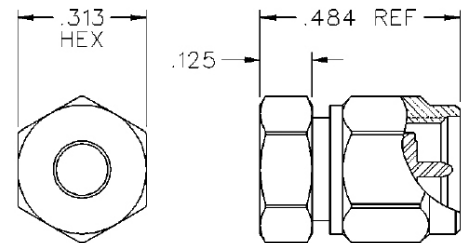


Freq Range	Gold Plated	High Frequency Substrate Thickness	"A"	"B"
0-26.5 GHz	142-0761-891	.008 (0.20) - .014 (0.36)	.010 (0.25)	.050 (1.27)
	142-0771-831	.014 (0.36) - .020 (0.51)	.015 (0.38)	.067 (1.70)

ASSEMBLY TOOL FOR END LAUNCH JACK RECEPTACLES



Hand tighten to 5 inch pounds maximum torque 140-0000-973



ELECTRICAL SPECIFICATIONS

Impedance	50 Ohms		
Frequency Range	0 - 26.5 GHz		
VSWR	1.05+.02F (GHz) maximum at 0-18 GHz	<1.50 typical at 18-26.5 GHz	
Working Voltage	170 Vrms maximum at sea level	45 Vrms maximum at 70K feet	
Dielectric Withstanding Voltage	500 Vrms minimum at sea level		
Corona Level	125 Volts at 70K feet		
Insertion Loss	Dependant upon application		
Insulation Resistance	1000 Megohms minimum		
Contact Resistance	(milliohms maximum)		
Initial After Environmental	Center Contact . . . 3.0 4.0	Outer Conductor. . 2.0	Not Applicable
RF Leakage	Not Applicable		
RF High Potential Withstanding Voltage	335 Vrms minimum at 4 & 7 MHz		

HIGH FREQUENCY SMA END LAUNCH CONNECTORS

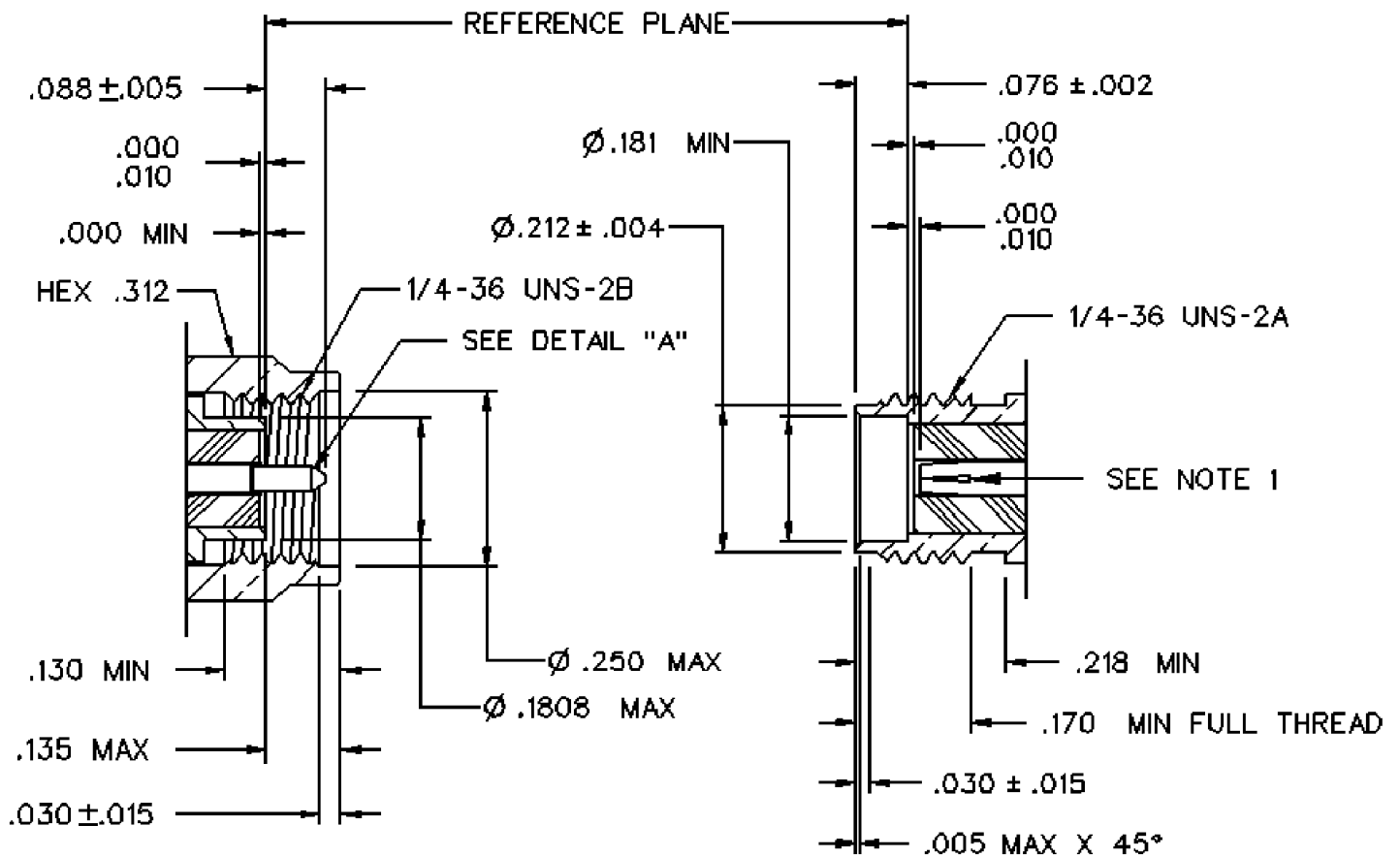
Technical Specifications



MATING ENGAGEMENT FOR SMA SERIES

Thickwall Plug Compatible with MIL-STD-348

1. ID TO MEET VSWR, CONTACT RESISTANCE AND INSERTION WITHDRAWAL FORCES WHEN MATED WITH A DIA .0355-.0370 PIN.



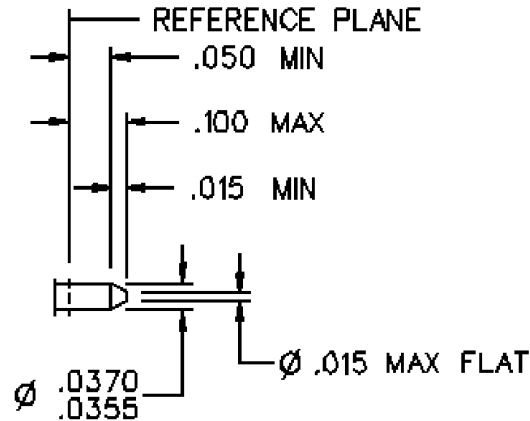
HIGH FREQUENCY SMA END LAUNCH CONNECTORS

Technical Specifications



MECHANICAL SPECIFICATIONS

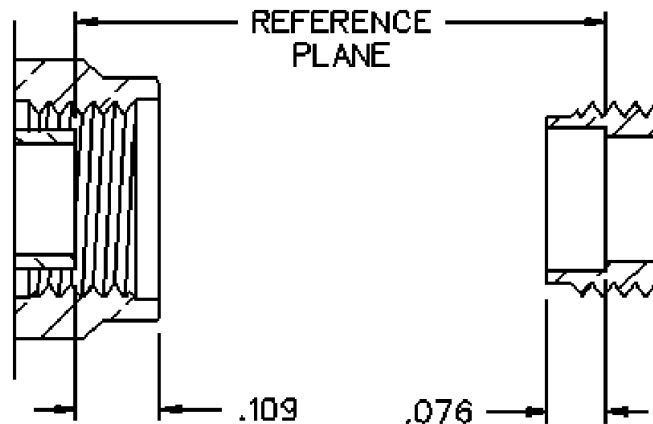
Engagement Design	MIL-STD-348, Series SMA	
Durability	500 Cycles minimum	
Engagement/Disengagement Force	2 inch-pounds maximum	
Mating Torque	7 to 10 inch-pounds	
Contact Retention Withstanding Voltage	6 pounds minimum axial force	4 in-oz minimum radial torque



ENVIRONMENTAL SPECIFICATIONS

Meets or Exceeds the Applicable Paragraph of MIL-RF-39012

Temperature Range	-65°C to +165°C
Corrosion	MIL-STD-202, Method 101, Condition B
Thermal Shock	MIL-STD-202, Method 107, Condition B-Except 115°C High Temp
Shock	MIL-STD-202, Method 213, Condition I
Vibration	MIL-STD-202, Method 204, Condition D
Moisture Resistance	MIL-STD-202, Method 106



Asia Pacific
+86 21 5442 7668
ccs.asia.sales@as.cinch.com

Europe, Middle East & Africa
+44 (0) 1245 342060
CinchConnectivity@eu.cinch.com

North America
+1 507.833.8822
ccsorders@us.cinch.com
cinch.com