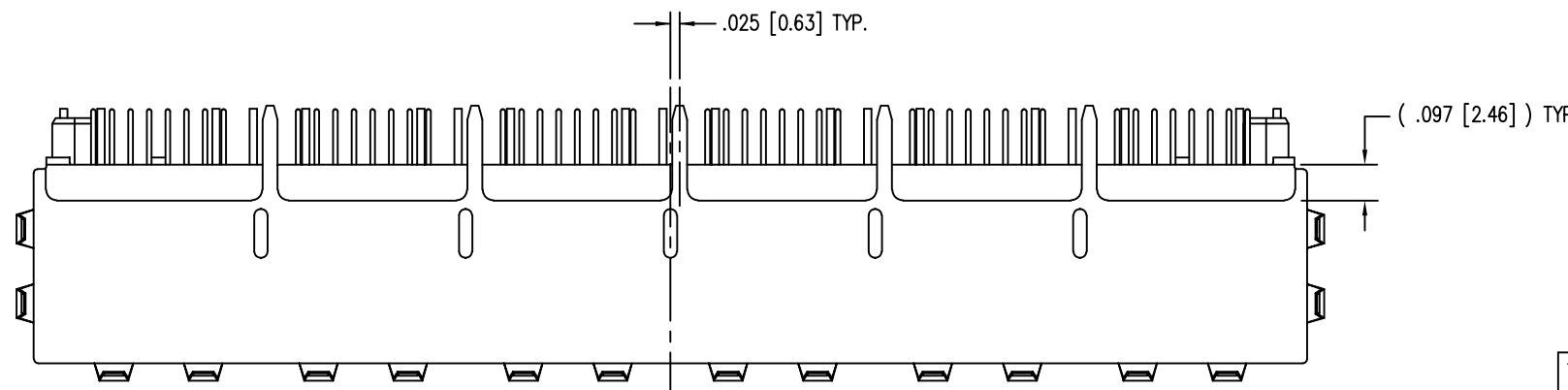
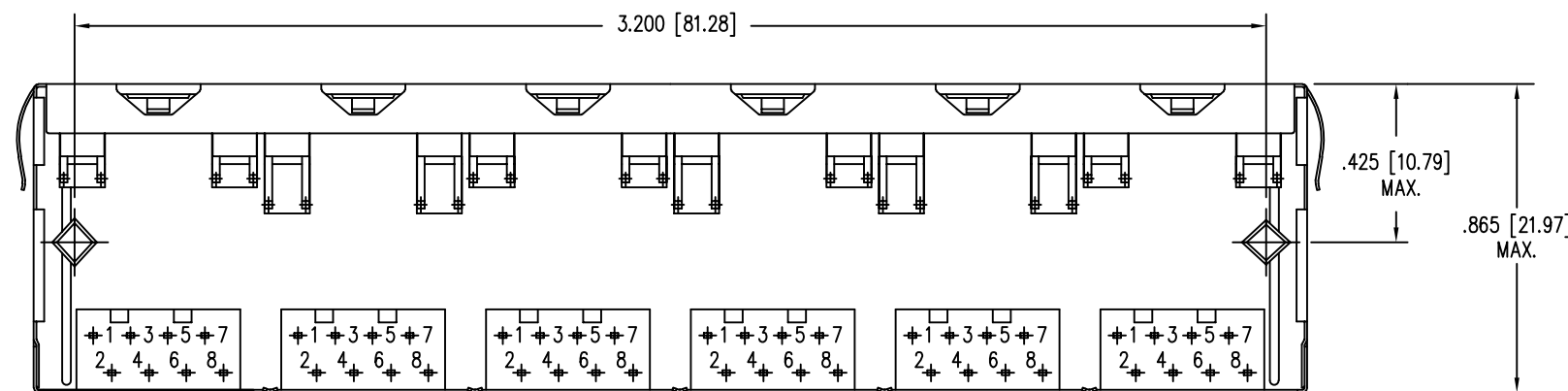
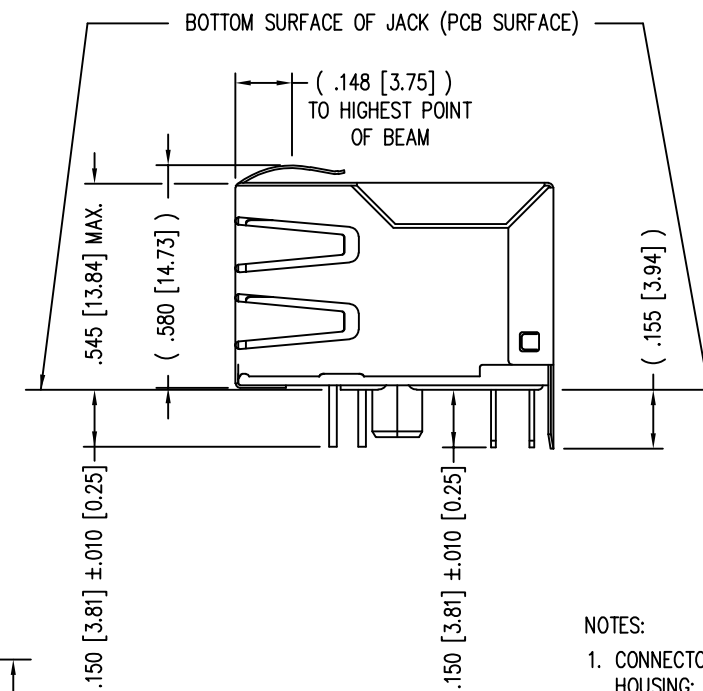
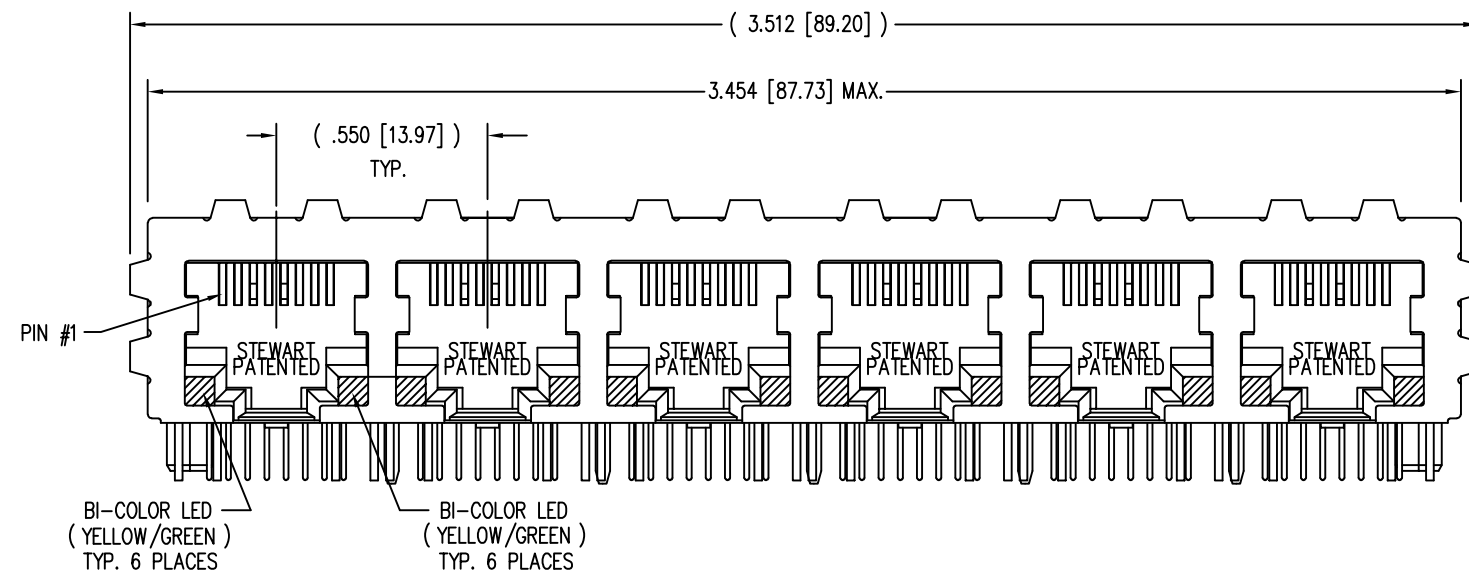


DATE	REV	ECN	APP'D. BY
1-19-15	A3	10218	TRM
3-16-16	A4	10618	TRM
4-10-19	B0	11365	ADB

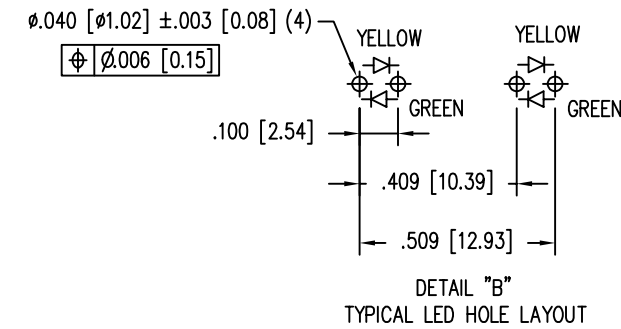
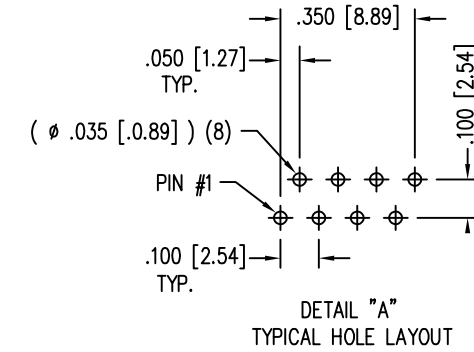
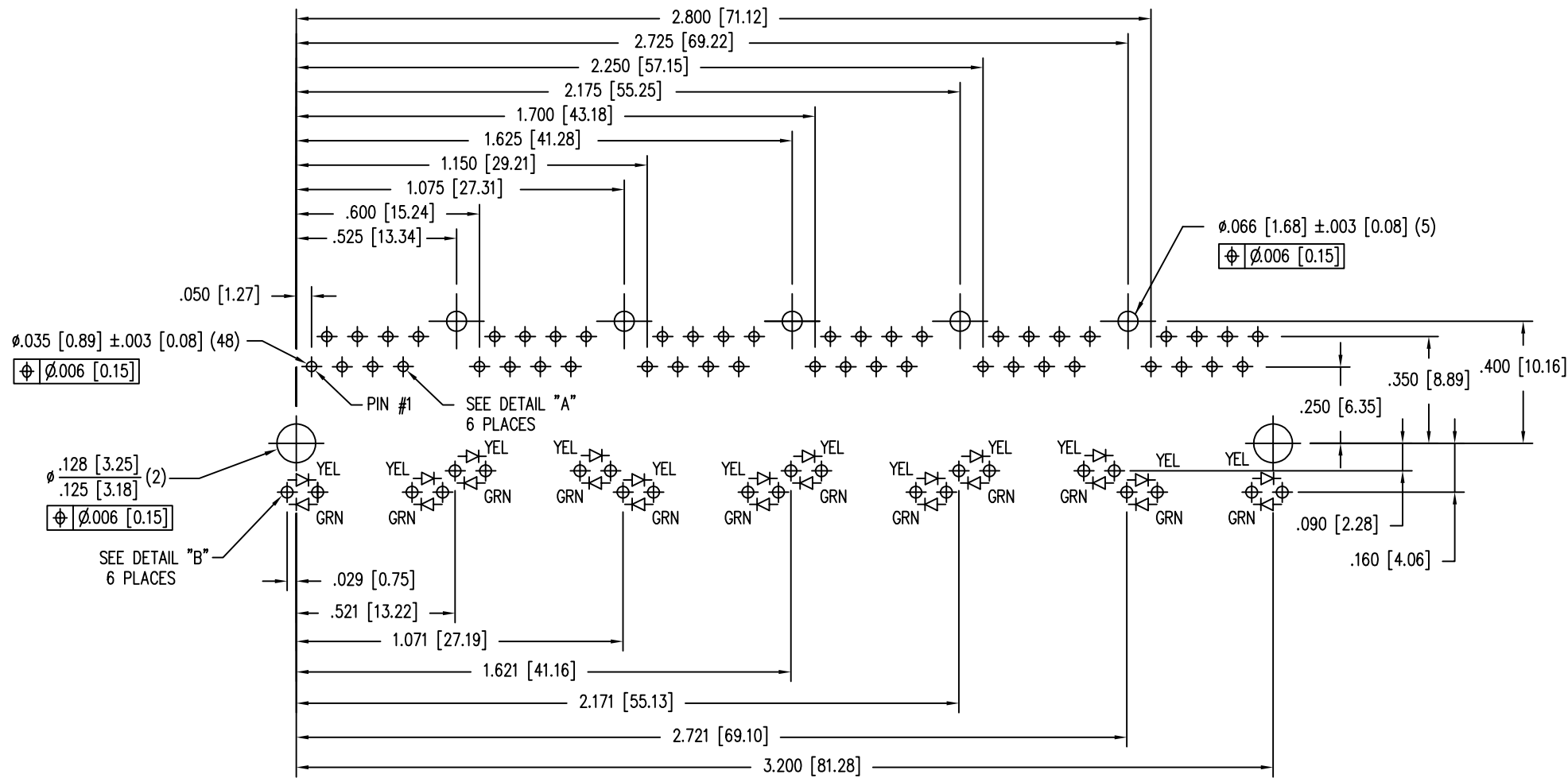


- NOTES:
- CONNECTOR MATERIALS:  
HOUSING: HI-TEMP, UL94 V-0  
CONTACTS/SHIELD: COPPER ALLOY  
SHIELD PLATING: NICKEL  
CONTACT PLATING: SELECTIVE GOLD OR EQUIVALENT IN THE CONTACT AREA  
SEE CHART FOR PART NUMBER
  - FOR PRODUCT SPECIFICATIONS SEE PR022-01.
  - RATED AT MAX. 260°C FOR MAX. 10 SECS.
  - DIMENSIONS AND TOLERANCES COMPLY WITH TIA-1096 STANDARD.
  - THE SUGGESTED PANEL OPENING IS INTENDED TO GIVE USER THE ABILITY TO HAVE REASONABLE JACK/PANEL CLEARANCES, YET MAINTAIN GROUNDING CAPABILITY. THESE VARIABLES CAN BE ADJUSTED IN EITHER DIRECTION BUT MAY CARRY SOME CONSEQUENCES IN THE FORM OF LOWER MATING FORCES OR TIGHTER ASSEMBLY TOLERANCES.
  - DESIGNED FOR CATEGORY 5/5e APPLICATIONS.

50 MICRO-INCHES [1.27um]	SS74800-107F
CONTACT PLATING IN MATING AREA	PART NUMBER

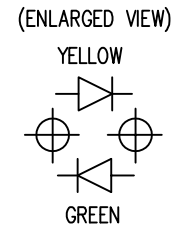
THIRD ANGLE PROJECTION	 <b>stewart</b> CONNECTOR a bel group	1118 Susquehanna Trail South Glen Rock, PA 17327-9199 (717) 235-7512 <a href="http://www.stewartconnector.com">http://www.stewartconnector.com</a>	
DO NOT SCALE DRAWING DRAWING IS SUBJECT TO CHANGE WITHOUT NOTICE		TITLE: 6 PORT HARMONICA JACK, EMI-RFI ENHANCED SHIELD, ESD GROUNDED WITH PANEL GROUNDS, .150" CONTACT PIN & LED LENGTHS, BI-COLOR Y/G LED'S  THIS DRAWING AND THE SUBJECT MATTER SHOWN THEREON ARE CONFIDENTIAL AND THE PROPRIETARY PROPERTY OF STEWART CONNECTOR AND SHALL NOT BE REPRODUCED, COPIED, OR USED IN ANY MANNER WITHOUT PRIOR WRITTEN CONSENT OF STEWART CONNECTOR. ONE OR MORE U.S. PATENTS MAY APPLY TO THIS PRODUCT. FOR DETAILS, PLEASE VISIT: <a href="http://BELFUSE.COM/STEWART/STEWART_PATENTS/">HTTP://BELFUSE.COM/STEWART/STEWART_PATENTS/</a>	
DIMENSIONS: INCHES [METRIC]	DRN BY: AWS	DATE: 5-10-11	
UNLESS OTHERWISE SPECIFIED TOLERANCES ARE ±.005 [0.13] ANGLES ARE ± 1°	APPD BY: TRM	DATE: 5-10-11	
SHEET NO. 1 of 2	DWG NO. CT740200F	REV. B0	





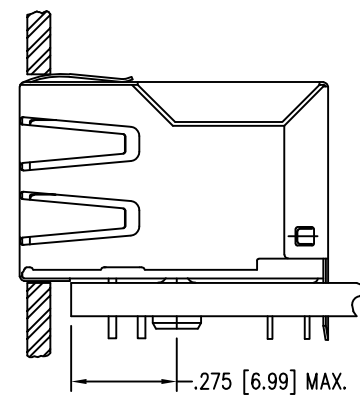
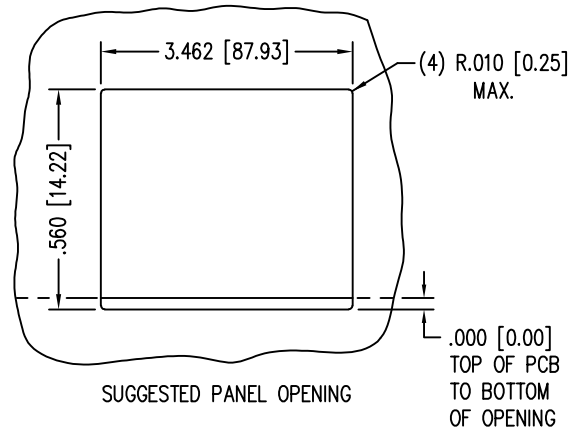
P.C.B. RECOMMENDED HOLE LAYOUT  
SEEN FROM COMPONENT SIDE  
ALL CENTERLINE DIMENSIONS ARE BASIC

LED POLARITY

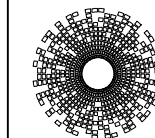
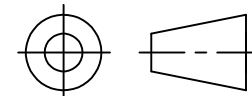


LED SPECIFICATIONS				
LOW CURRENT BI-COLOR LED	WAVE LENGTH	FORWARD V (MAX)	*(TYP)	
YELLOW/GREEN	YELLOW	590 nm	2.5 V	2.1 V
	GREEN	565 nm	2.5 V	2.2 V

\* WITH A FORWARD CURRENT OF 20mA (TYP)



THIRD ANGLE PROJECTION



**stewart**  
CONNECTOR  
a bel group

11118 Susquehanna Trail South  
Glen Rock, PA 17327-9199  
(717) 235-7512  
<http://www.stewartconnector.com>

DO NOT SCALE DRAWING  
DRAWING IS SUBJECT TO  
CHANGE WITHOUT NOTICE

TITLE: 6 PORT HARMONICA JACK, EMI-RFI ENHANCED SHIELD, ESD GROUNDED WITH PANEL GROUNDS, .150" CONTACT PIN & LED LENGTHS, BI-COLOR Y/G LED'S

DIMENSIONS: INCHES [METRIC]  
UNLESS OTHERWISE SPECIFIED  
TOLERANCES ARE ±.005 [0.13]  
ANGLES ARE ± 1°

THIS DRAWING AND THE SUBJECT MATTER SHOWN THEREON ARE CONFIDENTIAL AND THE PROPRIETARY PROPERTY OF STEWART CONNECTOR AND SHALL NOT BE REPRODUCED, COPIED, OR USED IN ANY MANNER WITHOUT PRIOR WRITTEN CONSENT OF STEWART CONNECTOR. ONE OR MORE U.S. PATENTS MAY APPLY TO THIS PRODUCT. FOR DETAILS, PLEASE VISIT: [HTTP://BELFUSE.COM/STEWART/STEWART\\_PATENTS/](http://BELFUSE.COM/STEWART/STEWART_PATENTS/)

DRN BY:	AWS	DATE	5-10-11
APPD BY:	TRM	DATE	5-10-11
DWG NO.	CT740200F	REV.	B0

SHEET NO. 2 of 2