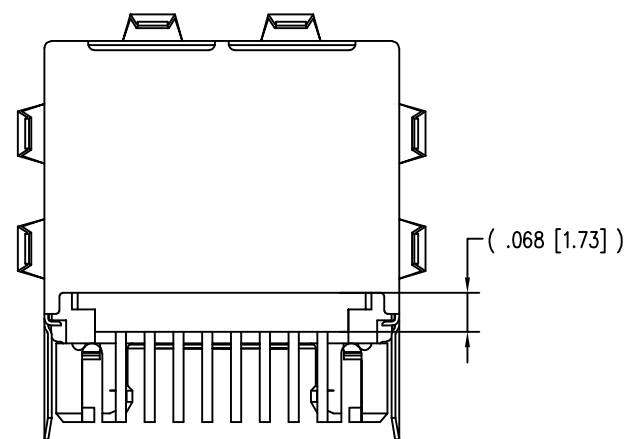
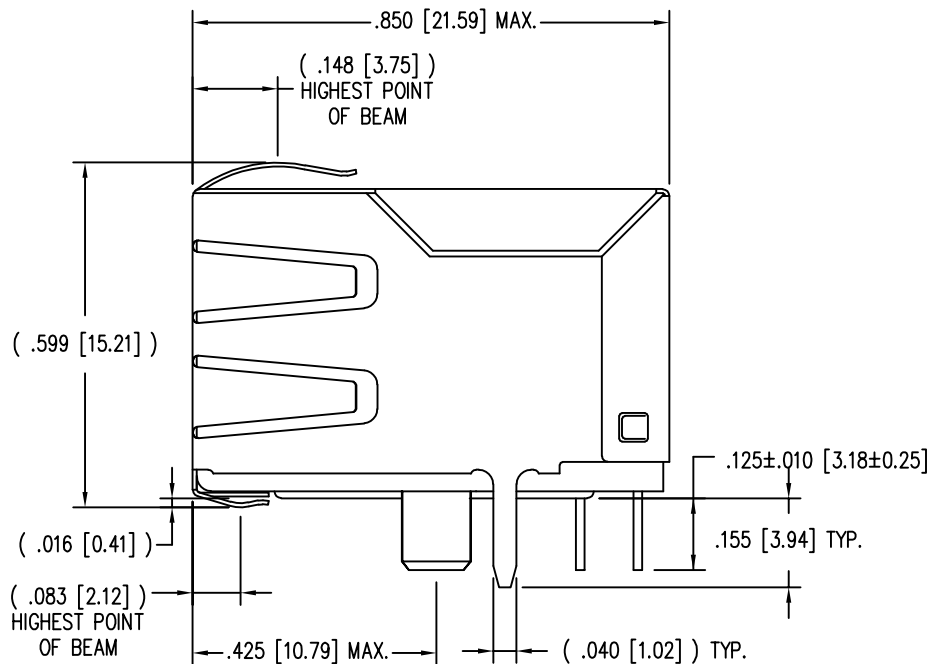
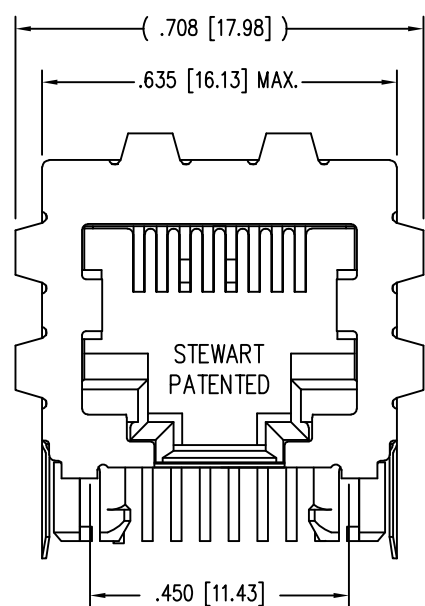
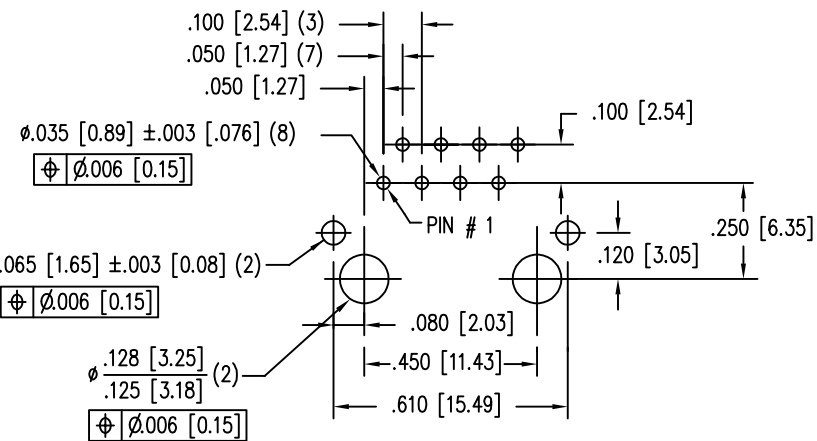
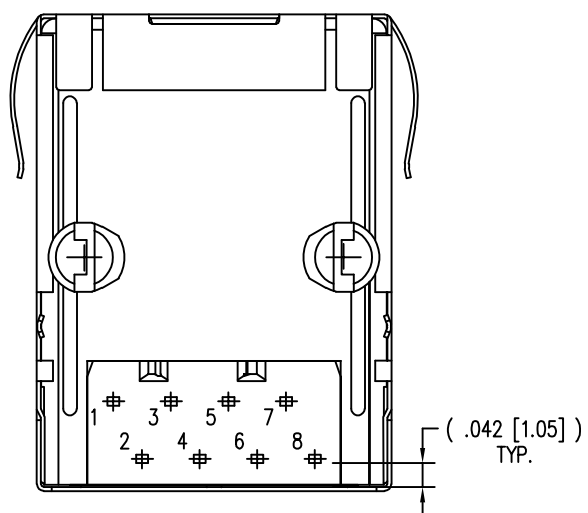


DATE	REV	ECN	APP'D. BY
9-25-17	A0	-	-



B

B

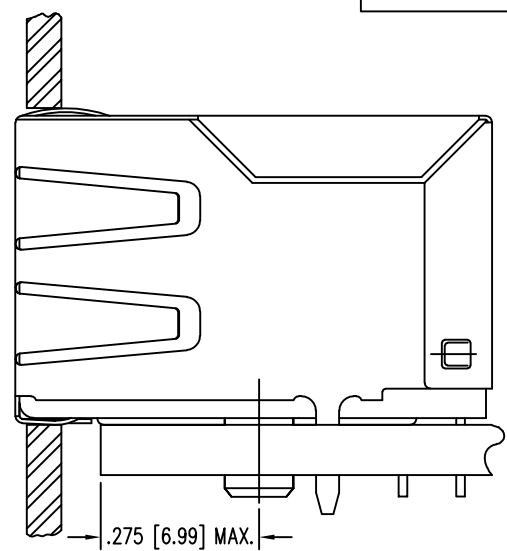
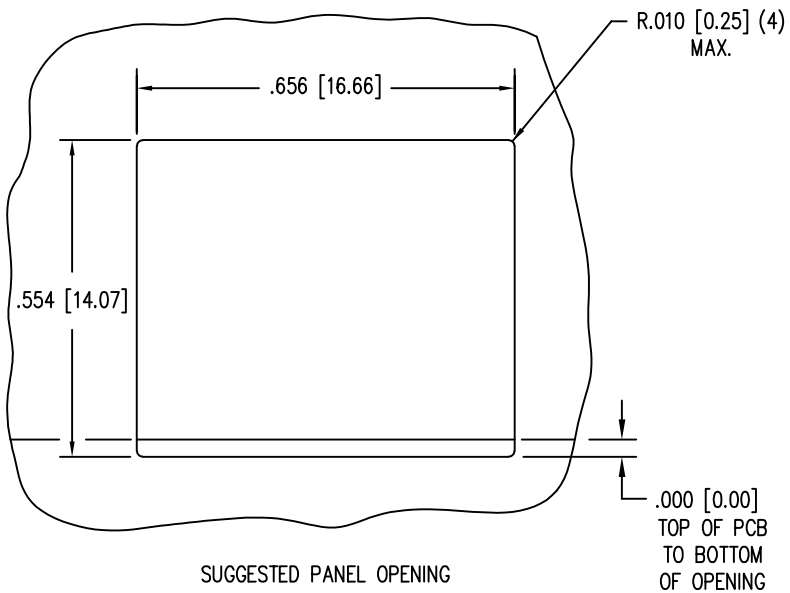


P.C.B. RECOMMENDED HOLE LAYOUT  
SEEN FROM COMPONENT SIDE  
ALL CENTERLINE DIMENSIONS ARE BASIC.

- NOTES:
- CONNECTOR MATERIALS:  
HOUSING: THERMOPLASTIC UL94 V-0  
CONTACTS/SHIELD: COPPER ALLOY  
SHIELD PLATING: NICKEL  
SHIELD TAILS ARE "TIN DIPPED"  
CONTACT PLATING: SELECTIVE GOLD IN CONTACT AREA  
SEE CHART FOR PART NUMBER
  - DESIGNED FOR CATEGORY 5/5e APPLICATIONS.
  - DIMENSIONS AND TOLERANCES COMPLY WITH TIA-1096 STANDARD.
  - THE SUGGESTED PANEL OPENING IS INTENDED TO GIVE USER THE ABILITY TO HAVE REASONABLE JACK/PANEL CLEARANCES, YET MAINTAIN GROUNDING CAPABILITY. THESE VARIABLES CAN BE ADJUSTED IN EITHER DIRECTION BUT MAY CARRY SOME CONSEQUENCES IN THE FORM OF LOWER MATING FORCES OR TIGHTER ASSEMBLY TOLERANCES.
  - DIELECTRIC WITHSTANDING VOLTAGE ( CONTACT TO SHIELD ) : 2250VDC
  - IR REFLOW COMPATIBLE FOR 260°C
  - FOR PRODUCT SPECIFICATION SEE PR022-01

A

A



50 MICRO-INCHES [1.27um]	SS71800-121F
CONTACT PLATING IN MATING AREA	PART NUMBER

THIRD ANGLE PROJECTION	 1118 Susquehanna Trail South Glen Rock, PA 17327-9199 (717) 235-7512 <a href="http://www.stewartconnector.com">http://www.stewartconnector.com</a>
DO NOT SCALE DRAWING DRAWING IS SUBJECT TO CHANGE WITHOUT NOTICE	
DIMENSIONS: INCHES [METRIC]	TITLE: 8 CONTACT, 8 POSITION, SHIELDED CAT 5/5e JACK, EMI-RFI ONE PIECE SHIELDED, ESD GROUNDED, AUTOMOTIVE GRADE
UNLESS OTHERWISE SPECIFIED TOLERANCES ARE ±.005 [0.13] ANGLES ARE ± 1°	DRN BY: TRM DATE: 9-25-17
SHEET NO. 1 OF 1	APPD BY: DHG DATE: 9-26-17
	DWG NO. CT710154F REV. A0

