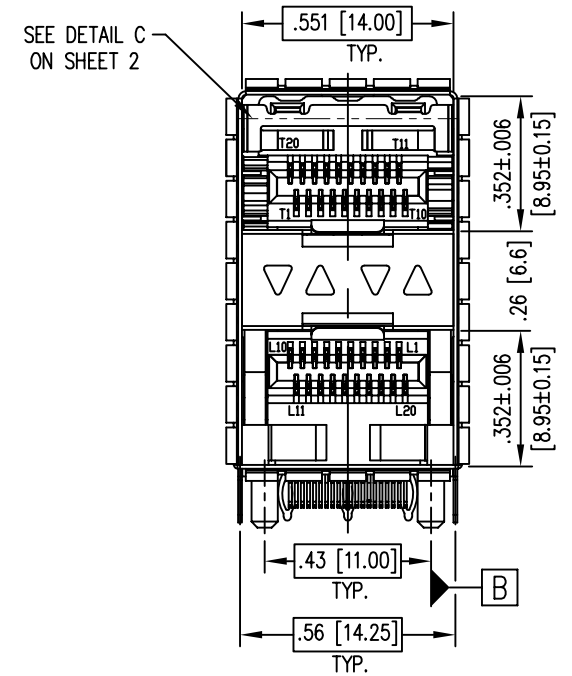
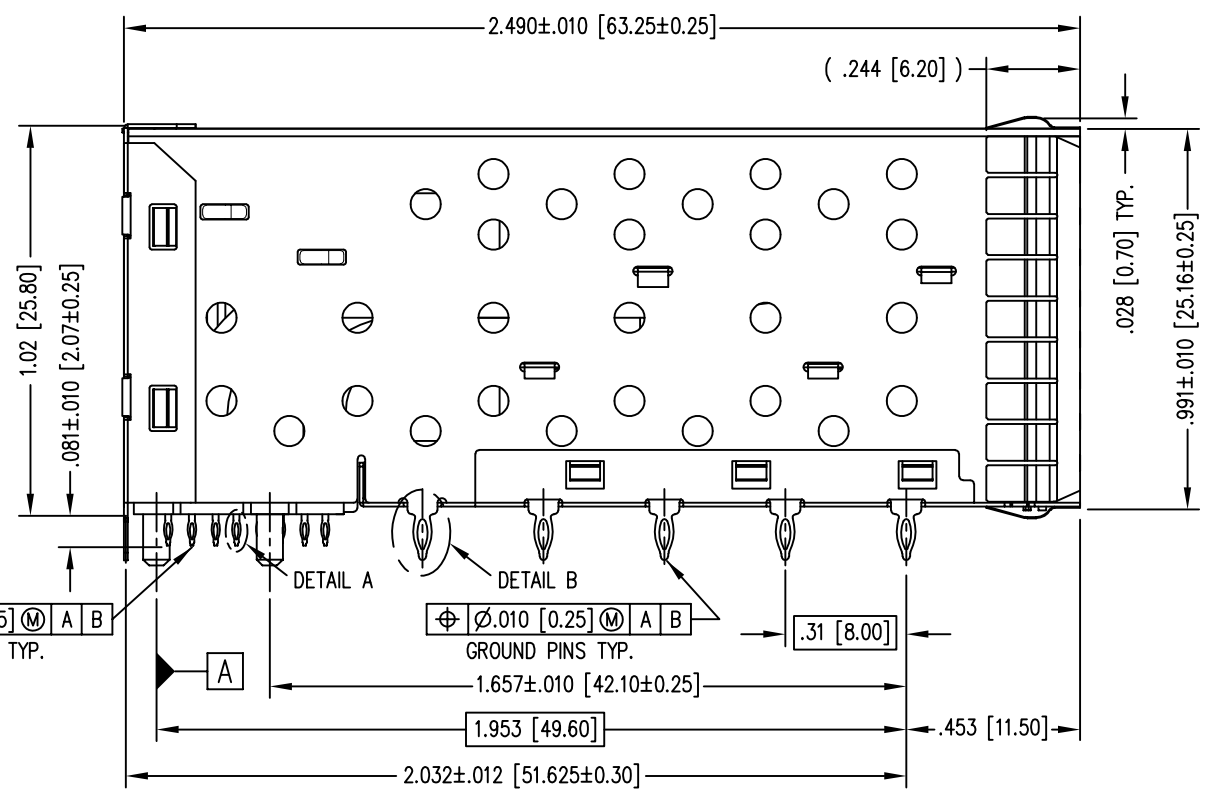
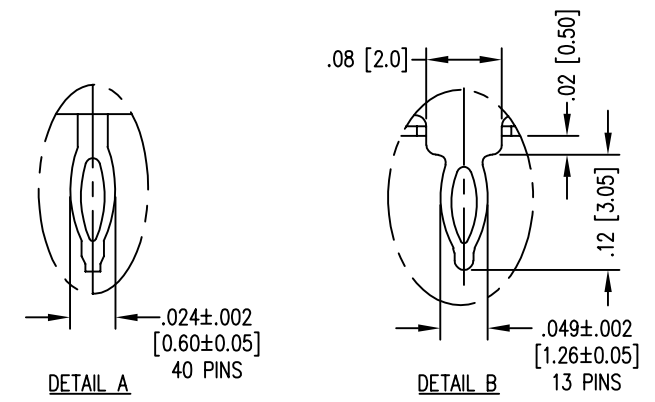
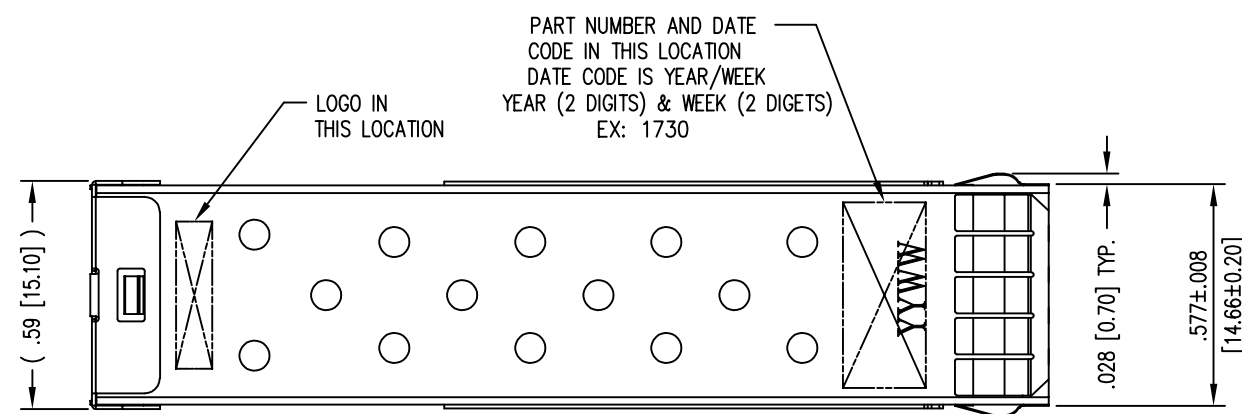


DATE	REV	ECN	APP'D. BY
8-11-17	A2	11061	TRM
8-16-17	A3	11066	TRM



- NOTES:
- MATERIALS:  
CONTACT: PHOSPHOR BRONZE  
CONNECTOR HOUSING: LCP UL 94V-0 COLOR: BLACK  
MOLDED INSERT: HIGH TEMP PLASTIC UL 94V-0 COLOR: BLACK  
CAGE: COPPER ALLOY  
LIGHT PIPES: POLYCARBONATE UL 94V-0 COLOR: CLEAR  
LIGHT PIPE HOUSING: PBT UL 94V-0 COLOR: BLACK  
EMI SPRINGS: COPPER ALLOY
  - PLATING:  
PCB PINS: 0.0001 [2.54um] MINIMUM MATTE TIN  
OVER 0.00005 [1.27um] MINIMUM NICKEL  
CAGE: NICKEL
  - TEMPERATURE:  
OPERATIONAL: -40°C~+85°C  
STORAGE: -55°C~+105°C
  - FOR PRODUCT SPECIFICATIONS SEE PR043-01.
  - MATES WITH SFP MSA COMPLIANT TRANSCEIVERS.

30 MICRO-INCHES [0.76um]	SS-79100-010
CONTACT PLATING IN MATING AREA	PART NUMBER



THIRD ANGLE PROJECTION

DRAWING IS SUBJECT TO CHANGE WITHOUT NOTICE

UNLESS OTHERWISE SPECIFIED DIMENSIONS INCHES [METRIC] TOLERANCES ARE:

ANGLES ± 2°

1 PLC. DEC. ±.010" [±0.25]

2 PLC. DEC. ±.005" [±0.13]

3 PLC. DEC. ±.004" [±0.10]

DO NOT SCALE DRAWING

SHEET NO. 1 OF 4

1118 Susquehanna Trail South  
Glen Rock, PA 17327-9199  
(717) 235-7512  
<http://www.stewartconnector.com>

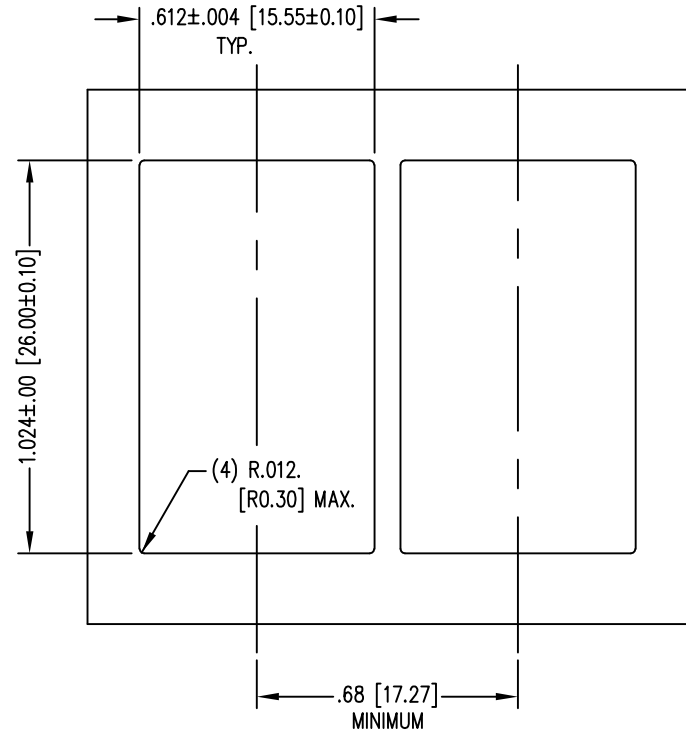
TITLE: SFP+ 2X1 CAGE W/LIGHT PIPES, PRESS FIT

THIS DRAWING AND THE SUBJECT MATTER SHOWN THEREON ARE CONFIDENTIAL AND THE PROPRIETARY PROPERTY OF STEWART CONNECTOR AND SHALL NOT BE REPRODUCED, COPIED, OR USED IN ANY MANNER WITHOUT PRIOR WRITTEN CONSENT OF STEWART CONNECTOR. ONE OR MORE U.S. PATENTS MAY APPLY TO THIS PRODUCT. FOR DETAILS, PLEASE VISIT: [HTTP://BELFUSE.COM/STEWART/STEWART\\_PATENTS/](http://BELFUSE.COM/STEWART/STEWART_PATENTS/)

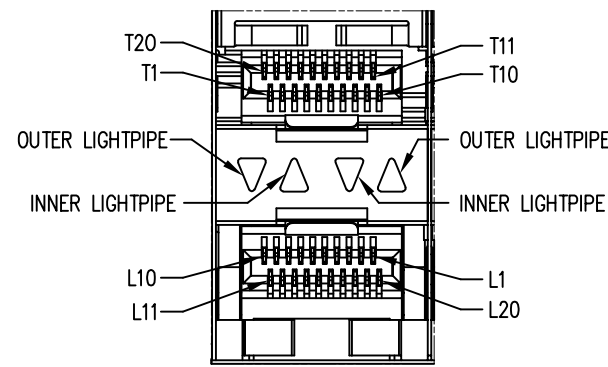
DRN BY: TRM	DATE: 6-15-17
APPD BY: DHG	DATE: 6-30-17
DWG NO. CT790010	REV. A3

B

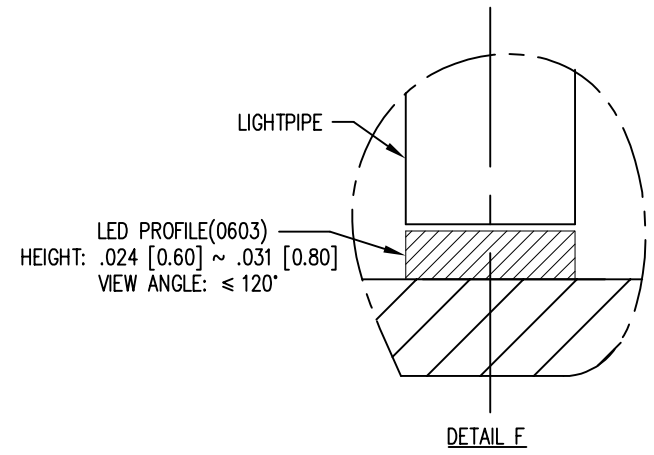
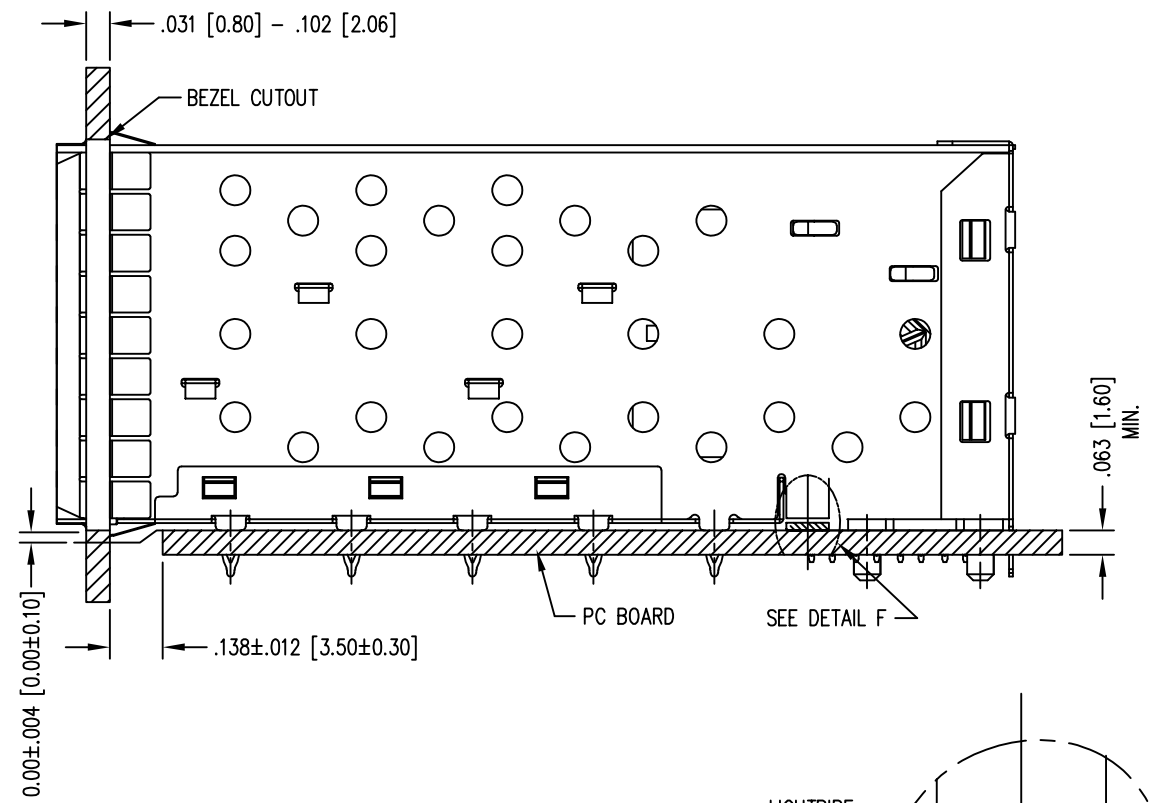
A



BEZEL CUT-OUT CENTER SPACING DETAIL  
 BEZEL THICKNESS: .03 [0.8] - .10 [2.6]



DETAIL C



<b>THIRD ANGLE PROJECTION</b> 		<b>stewart</b> CONNECTOR a bel group		1118 Susquehanna Trail South Glen Rock, PA 17327-9199 (717) 235-7512 <a href="http://www.stewartconnector.com">http://www.stewartconnector.com</a>	
DRAWING IS SUBJECT TO CHANGE WITHOUT NOTICE UNLESS OTHERWISE SPECIFIED DIMENSIONS INCHES [METRIC] TOLERANCES ARE: ANGLES ± 2° 1 PLC. DEC. ±.010" [±0.25] 2 PLC. DEC. ±.005" [±0.13] 3 PLC. DEC. ±.004" [±0.10] DO NOT SCALE DRAWING		<b>TITLE:</b> SFP+ 2X1 CAGE W/LIGHT PIPES, PRESS FIT			
SHEET NO. 2 OF 4		THIS DRAWING AND THE SUBJECT MATTER SHOWN THEREON ARE CONFIDENTIAL AND THE PROPRIETARY PROPERTY OF STEWART CONNECTOR AND SHALL NOT BE REPRODUCED, COPIED, OR USED IN ANY MANNER WITHOUT PRIOR WRITTEN CONSENT OF STEWART CONNECTOR. ONE OR MORE U.S. PATENTS MAY APPLY TO THIS PRODUCT. FOR DETAILS, PLEASE VISIT: <a href="http://BELFUSE.COM/STEWART/STEWART_PATENTS/">HTTP://BELFUSE.COM/STEWART/STEWART_PATENTS/</a>		DRN BY: TRM APPD BY: DHG DWG NO. CT790010	DATE 6-15-17 DATE 6-30-17 REV. A3

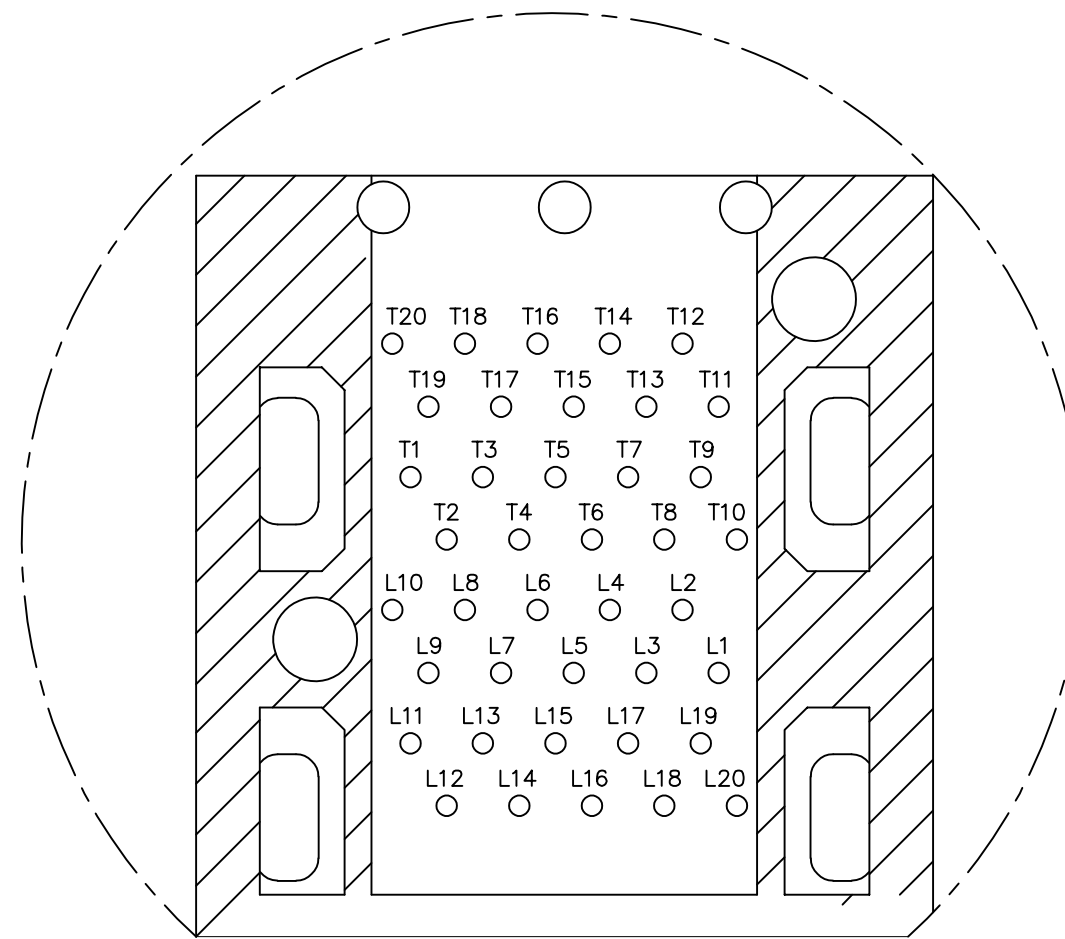
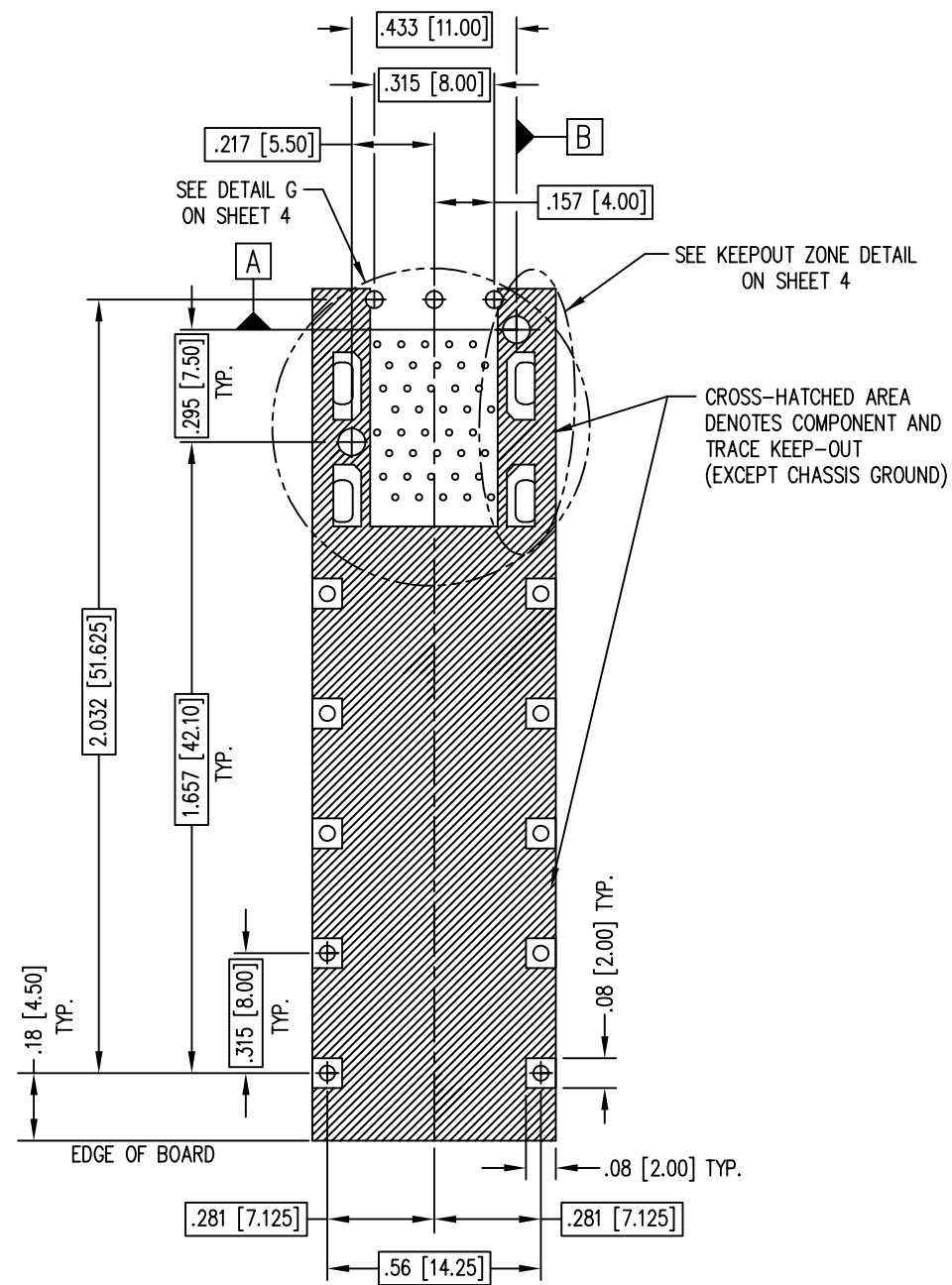
2

1

AutoCAD

B

A

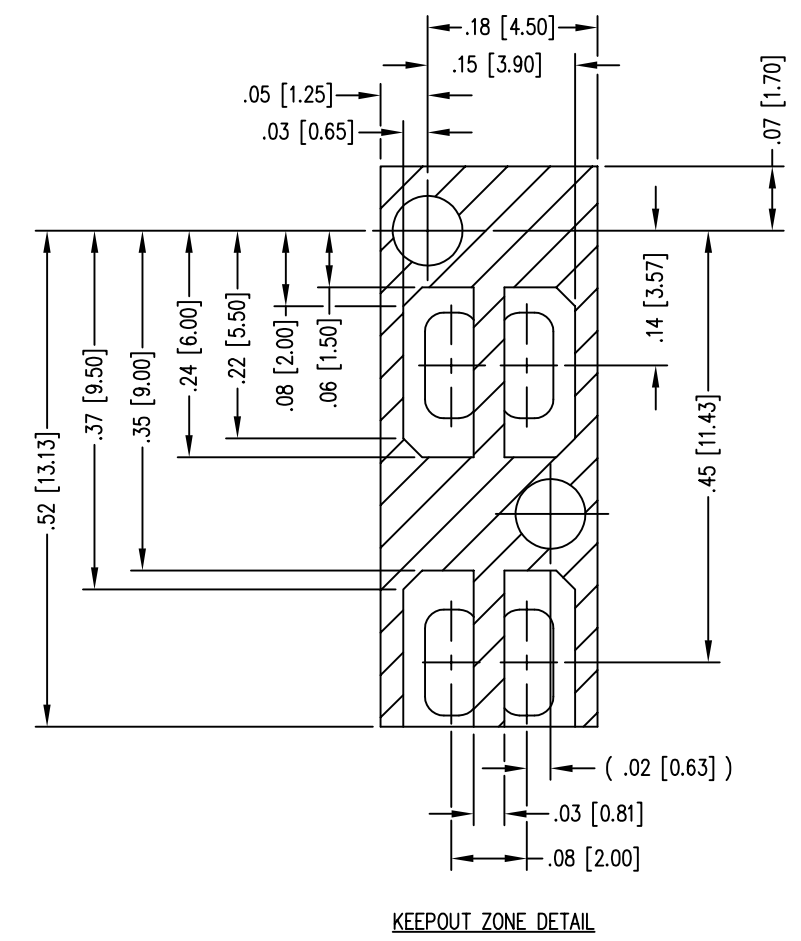
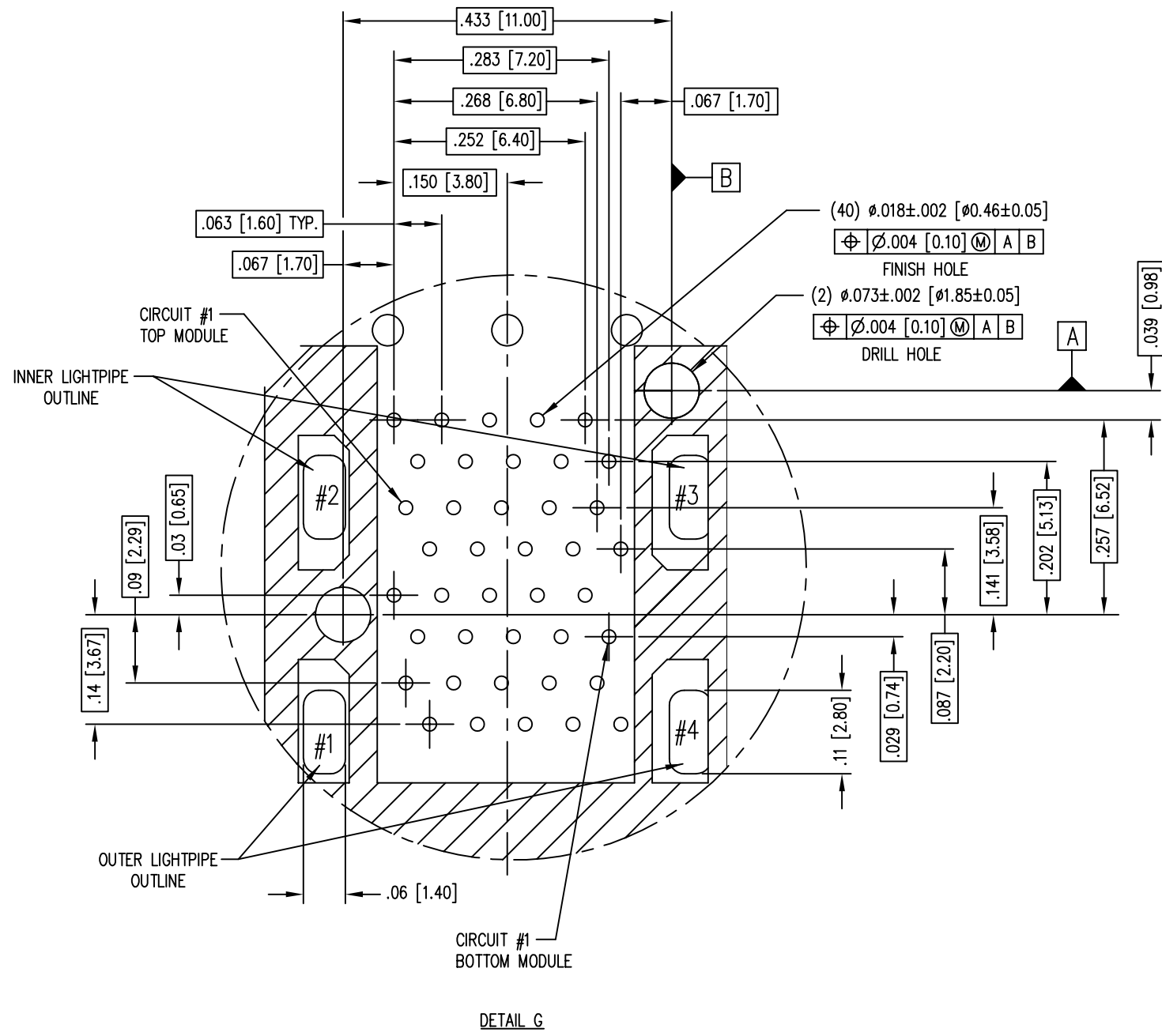


CONNECTOR PIN-OUT  
COMPONENT SIDE OF BOARD

RECOMMENDED PCB LAYOUT - COMPONENT SIDE  
 RECOMMENDED PCB THICKNESS - .104 [2.63]  
 THE ENTIRE AREA OF THE CONNECTOR FOOTPRINT  
 TO BE CONSIDERED THE KEEP OUT AREA FOR COMPONENTS  
 (OTHER THAN LIGHTPIPE LEDS)  
 THIS AREA IS INDICATED BY THE DASHED LINE



THIRD ANGLE PROJECTION 				11118 Susquehanna Trail South Glen Rock, PA 17327-9199 (717) 235-7512 <a href="http://www.stewartconnector.com">http://www.stewartconnector.com</a>	
DRAWING IS SUBJECT TO CHANGE WITHOUT NOTICE UNLESS OTHERWISE SPECIFIED DIMENSIONS INCHES [METRIC] TOLERANCES ARE: ANGLES ± 2° 1 PLC. DEC. ±.010" [±0.25] 2 PLC. DEC. ±.005" [±0.13] 3 PLC. DEC. ±.004" [±0.10] DO NOT SCALE DRAWING		TITLE: SFP+ 2X1 CAGE W/LIGHT PIPES, PRESS FIT THIS DRAWING AND THE SUBJECT MATTER SHOWN THEREON ARE CONFIDENTIAL AND THE PROPRIETARY PROPERTY OF STEWART CONNECTOR AND SHALL NOT BE REPRODUCED, COPIED, OR USED IN ANY MANNER WITHOUT PRIOR WRITTEN CONSENT OF STEWART CONNECTOR. ONE OR MORE U.S. PATENTS MAY APPLY TO THIS PRODUCT. FOR DETAILS, PLEASE VISIT: <a href="http://BELFUSE.COM/STEWART/STEWART_PATENTS/">HTTP://BELFUSE.COM/STEWART/STEWART_PATENTS/</a>			
SHEET NO. 3 OF 4		DRN BY: TRM	DATE: 6-15-17	APPD BY: DHG	DATE: 6-30-17
		DWG NO. CT790010	REV. A3		



<p>THIRD ANGLE PROJECTION</p> <p>DRAWING IS SUBJECT TO CHANGE WITHOUT NOTICE</p> <p>UNLESS OTHERWISE SPECIFIED DIMENSIONS INCHES [METRIC]</p> <p>TOLERANCES ARE:</p> <p>ANGLES ± 2°</p> <p>1 PLC. DEC. ±.010" [±0.25]</p> <p>2 PLC. DEC. ±.005" [±0.13]</p> <p>3 PLC. DEC. ±.004" [±0.10]</p> <p>DO NOT SCALE DRAWING</p> <p>SHEET NO. 4 OF 4</p>	<p>1118 Susquehanna Trail South Glen Rock, PA 17327-9199 (717) 235-7512 <a href="http://www.stewartconnector.com">http://www.stewartconnector.com</a></p>						
	<p>TITLE: SFP+ 2X1 CAGE W/LIGHT PIPES, PRESS FIT</p> <p>THIS DRAWING AND THE SUBJECT MATTER SHOWN THEREON ARE CONFIDENTIAL AND THE PROPRIETARY PROPERTY OF STEWART CONNECTOR AND SHALL NOT BE REPRODUCED, COPIED, OR USED IN ANY MANNER WITHOUT PRIOR WRITTEN CONSENT OF STEWART CONNECTOR. ONE OR MORE U.S. PATENTS MAY APPLY TO THIS PRODUCT. FOR DETAILS, PLEASE VISIT: <a href="http://BELFUSE.COM/STEWART/STEWART_PATENTS/">HTTP://BELFUSE.COM/STEWART/STEWART_PATENTS/</a></p>	<table border="1"> <tr> <td>DRN BY: TRM</td> <td>DATE: 6-15-17</td> </tr> <tr> <td>APPD BY: DHG</td> <td>DATE: 6-30-17</td> </tr> <tr> <td>DWG NO. CT790010</td> <td>REV. A3</td> </tr> </table>	DRN BY: TRM	DATE: 6-15-17	APPD BY: DHG	DATE: 6-30-17	DWG NO. CT790010
DRN BY: TRM	DATE: 6-15-17						
APPD BY: DHG	DATE: 6-30-17						
DWG NO. CT790010	REV. A3						