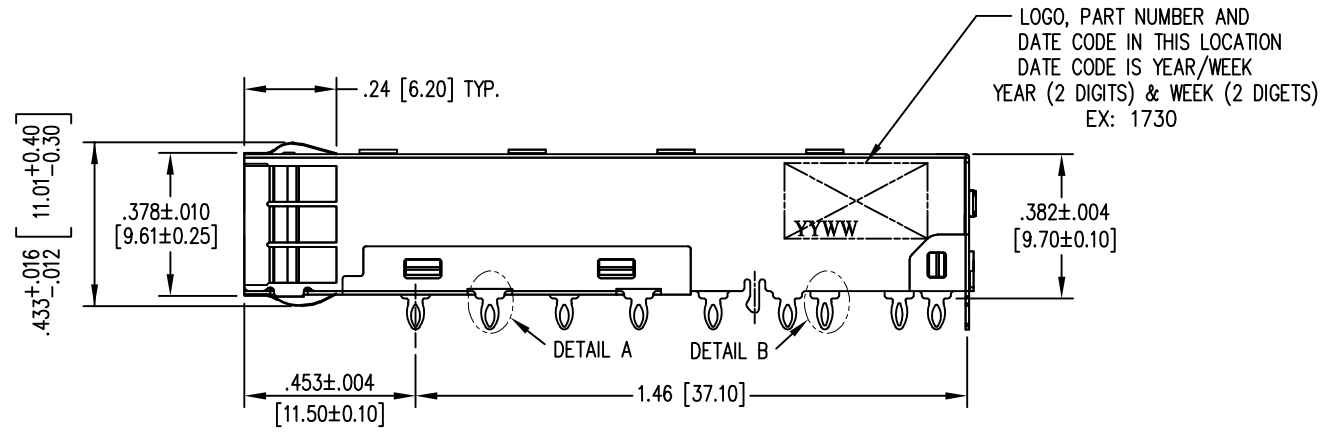
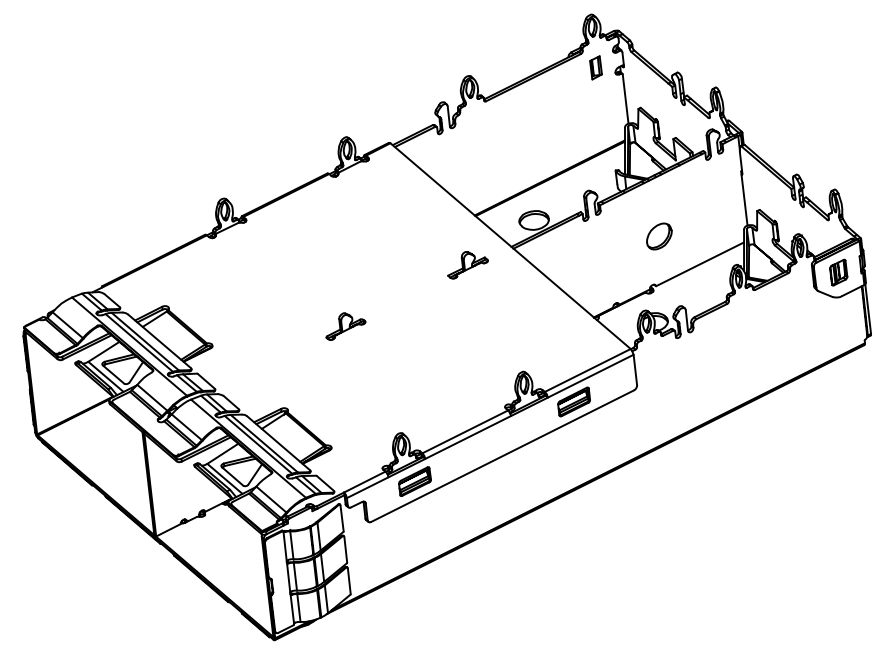
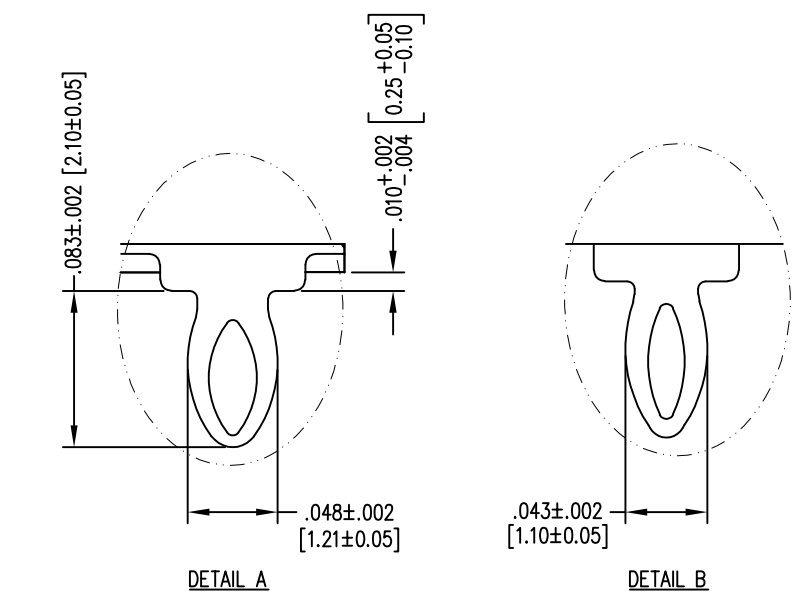
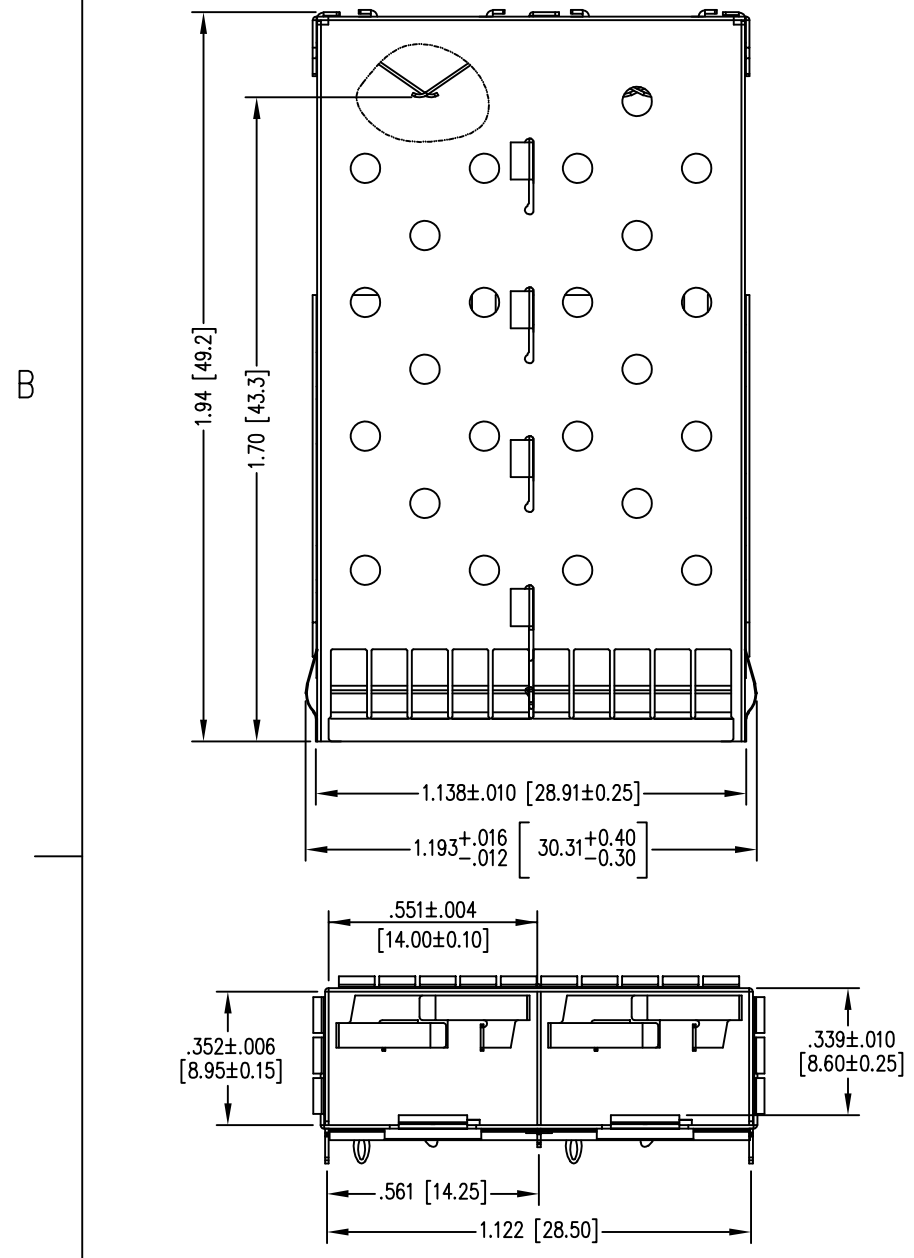


DATE	REV	ECN	APP'D. BY
8-11-17	A3	11061	TRM
8-16-17	A4	11066	TRM
9-28-17	A5	11104	DHG




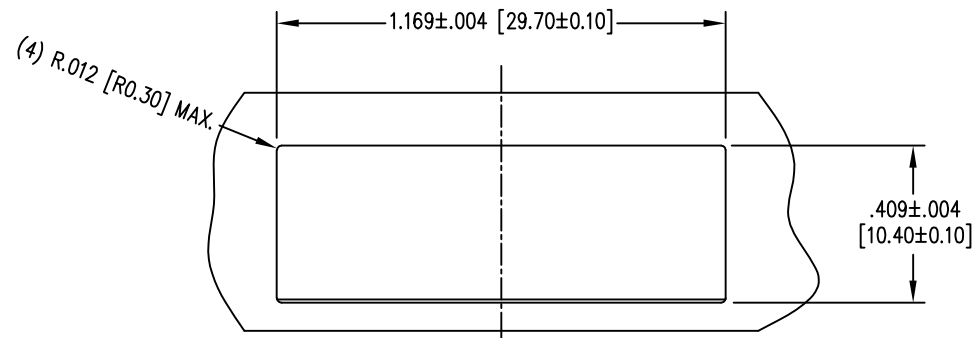
SS-79100-005
PART NUMBER

- NOTES:
- MATERIALS:  
CAGE: COPPER ALLOY  
EMI SPRINGS: COPPER ALLOY
  - PLATING:  
CAGE: NICKEL  
EMI SPRINGS: NICKEL
  - TEMPERATURE:  
OPERATIONAL: -40°C~+85°C  
STORAGE: -55°C~+105°C
  - FOR PRODUCT SPECIFICATIONS SEE PR043-01.
  - MATES WITH SFP MSA COMPLIANT TRANSCEIVERS.



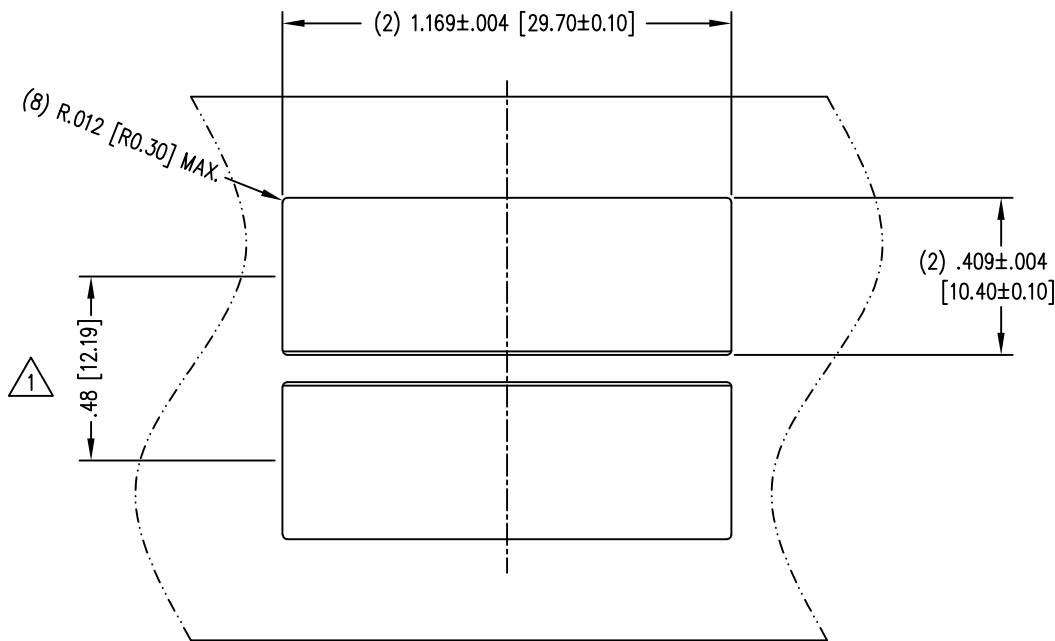
THIRD ANGLE PROJECTION
DRAWING IS SUBJECT TO CHANGE WITHOUT NOTICE
UNLESS OTHERWISE SPECIFIED DIMENSIONS INCHES [METRIC] TOLERANCES ARE: ANGLES ± 2° 1 PLC. DEC. ±.010" [±0.25] 2 PLC. DEC. ±.005" [±0.13] 3 PLC. DEC. ±.004" [±0.10] DO NOT SCALE DRAWING
SHEET NO. 1 OF 3

 11118 Susquehanna Trail South Glen Rock, PA 17327-9199 (717) 235-7512 <a href="http://www.stewartconnector.com">http://www.stewartconnector.com</a>	DRN BY: TRM	DATE: 6-7-17
	APPD BY: DHG	DATE: 6-30-17
TITLE: SFP+ 1X2 CAGE WITH EMI CLIP, PRESS FIT		DWG NO. CT90005
THIS DRAWING AND THE SUBJECT MATTER SHOWN THEREON ARE CONFIDENTIAL AND THE PROPRIETARY PROPERTY OF STEWART CONNECTOR AND SHALL NOT BE REPRODUCED, COPIED, OR USED IN ANY MANNER WITHOUT PRIOR WRITTEN CONSENT OF STEWART CONNECTOR. ONE OR MORE U.S. PATENTS MAY APPLY TO THIS PRODUCT. FOR DETAILS, PLEASE VISIT: <a href="http://BELFUSE.COM/STEWART/STEWART_PATENTS/">HTTP://BELFUSE.COM/STEWART/STEWART_PATENTS/</a>		REV. A5



SUGGESTED PANEL OPENING SINGLE SIDED APPLICATIONS

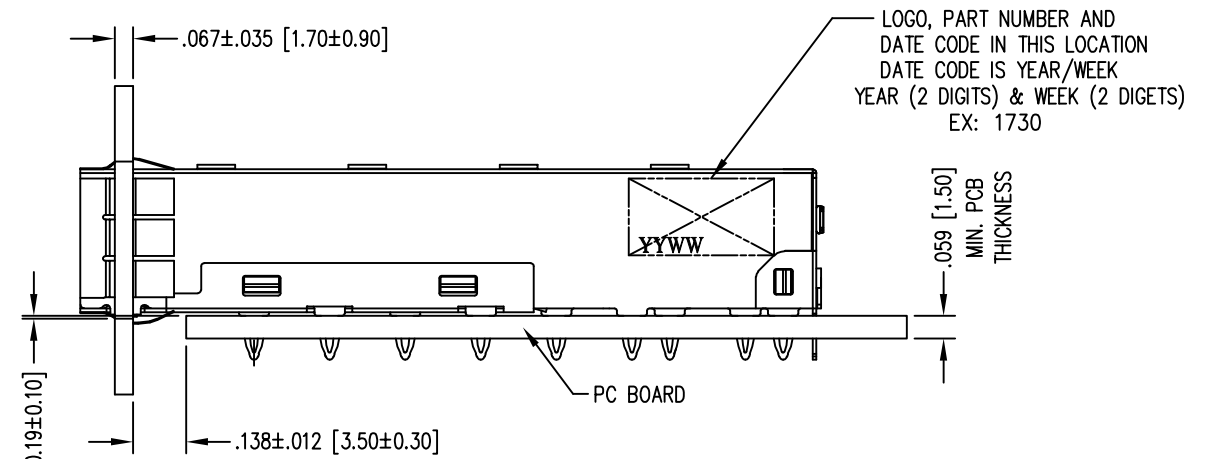
THE SUGGESTED PANEL OPENING IS INTENDED TO GIVE USERS THE ABILITY TO HAVE REASONABLE CAGE/PANEL CLEARANCES, YET MAINTAIN GROUNDING CAPABILITY. THESE VARIABLES CAN BE ADJUSTED IN EITHER DIRECTION BUT MAY CARRY SOME CONSEQUENCES IN THE FORM OF LOWER MATING FORCES OR TIGHTER ASSEMBLY TOLERANCES.



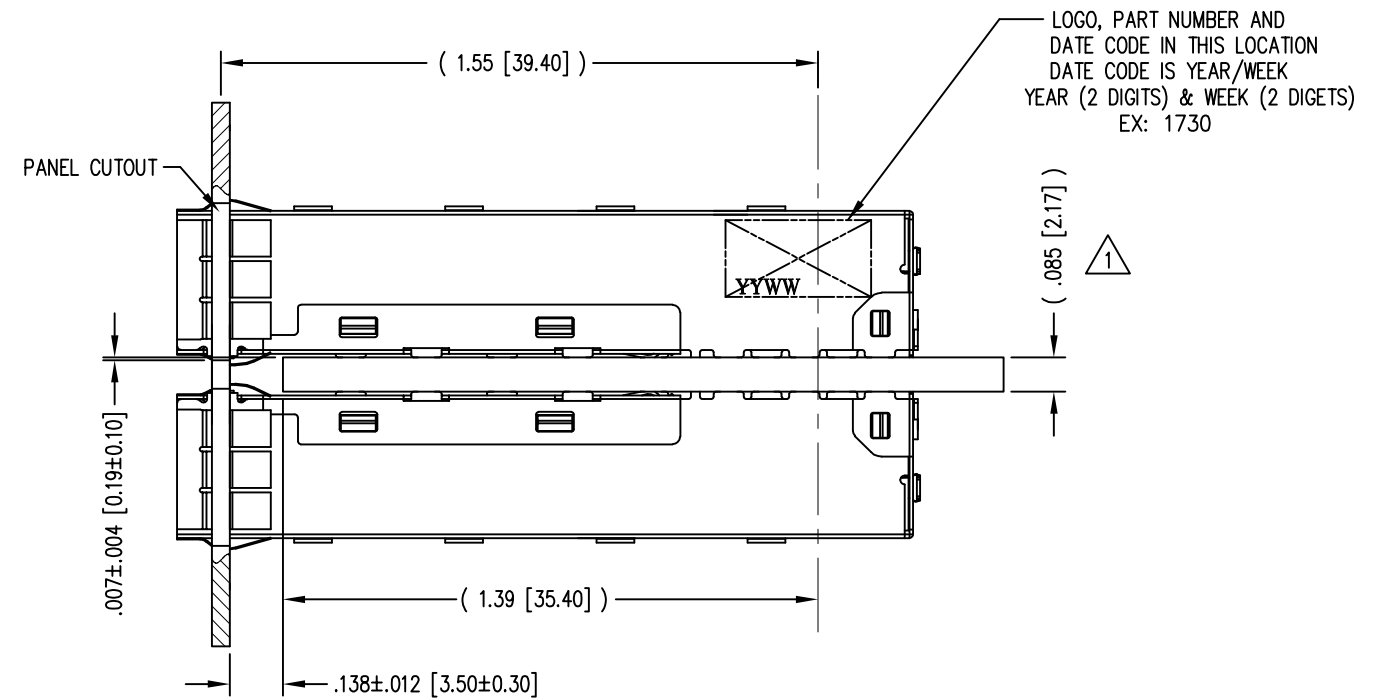
SUGGESTED PANEL OPENINGS DOUBLE SIDED APPLICATIONS

THE SUGGESTED PANEL OPENING IS INTENDED TO GIVE USERS THE ABILITY TO HAVE REASONABLE CAGE/PANEL CLEARANCES, YET MAINTAIN GROUNDING CAPABILITY. THESE VARIABLES CAN BE ADJUSTED IN EITHER DIRECTION BUT MAY CARRY SOME CONSEQUENCES IN THE FORM OF LOWER MATING FORCES OR TIGHTER ASSEMBLY TOLERANCES.

1 PCB THICKNESS WILL VARY WITH ADJUSTMENT IN THE CENTER TO CENTER SPACING OF THE PANEL OPENINGS

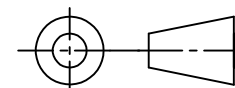


MOUNTED ON PC BOARD SHOWN THRU RECOMMENDED PANEL



MOUNTED BELLY TO BELLY ON PC BOARD SHOWN THRU RECOMMENDED PANEL

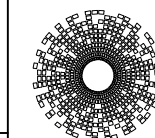
THIRD ANGLE PROJECTION



DRAWING IS SUBJECT TO CHANGE WITHOUT NOTICE

UNLESS OTHERWISE SPECIFIED DIMENSIONS INCHES [METRIC] TOLERANCES ARE: ANGLES ± 2° 1 PLC. DEC. ±.010" [±0.25] 2 PLC. DEC. ±.005" [±0.13] 3 PLC. DEC. ±.004" [±0.10] DO NOT SCALE DRAWING

SHEET NO. 2 OF 3



stewart CONNECTOR a bel group

11118 Susquehanna Trail South Glen Rock, PA 17327-9199 (717) 235-7512

http://www.stewartconnector.com

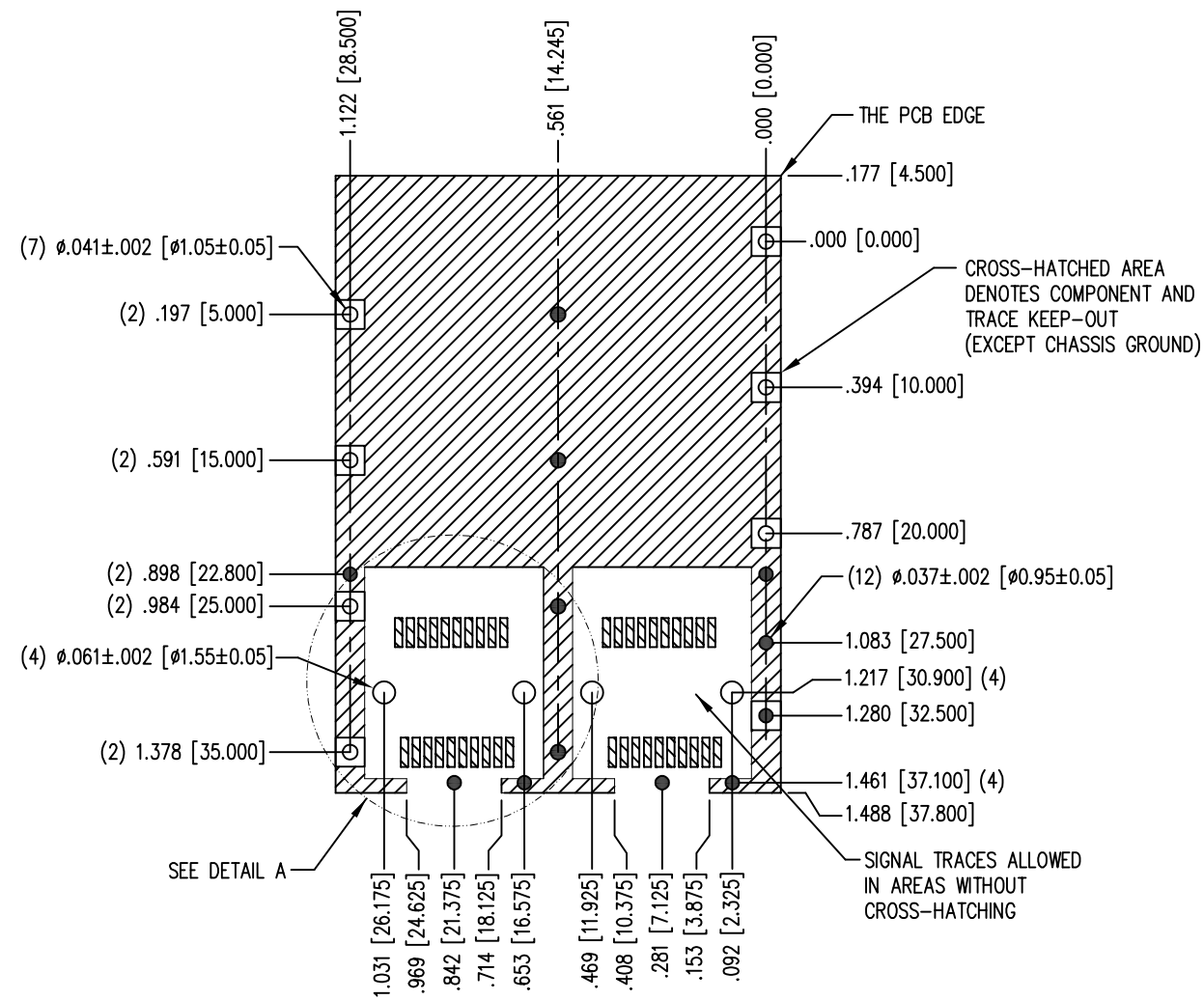
TITLE: SFP+ 1X2 CAGE WITH EMI CLIP, PRESS FIT

THIS DRAWING AND THE SUBJECT MATTER SHOWN THEREON ARE CONFIDENTIAL AND THE PROPRIETARY PROPERTY OF STEWART CONNECTOR AND SHALL NOT BE REPRODUCED, COPIED, OR USED IN ANY MANNER WITHOUT PRIOR WRITTEN CONSENT OF STEWART CONNECTOR. ONE OR MORE U.S. PATENTS MAY APPLY TO THIS PRODUCT. FOR DETAILS, PLEASE VISIT: HTTP://BELFUSE.COM/STEWART/STEWART\_PATENTS/

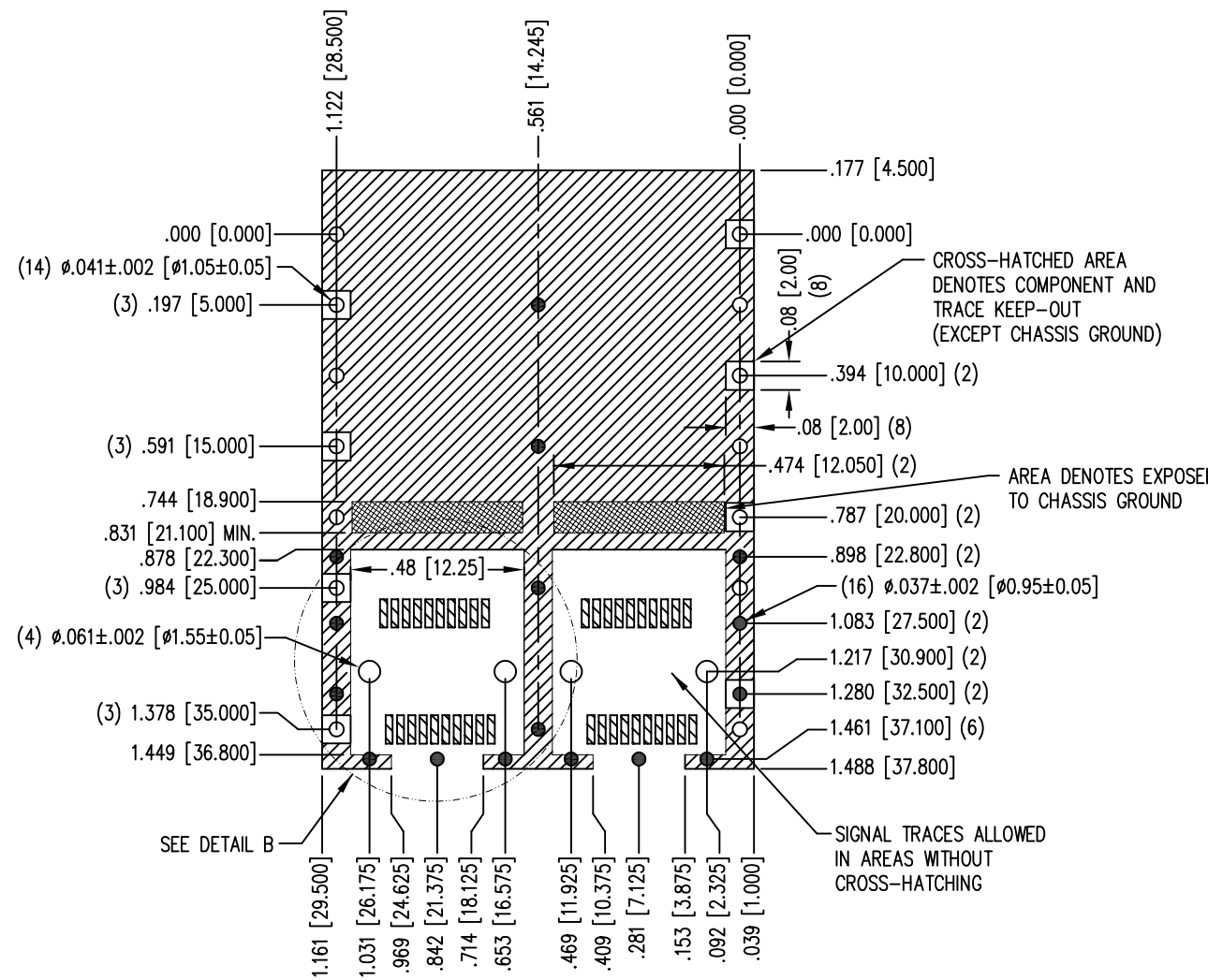
DRN BY:	TRM	DATE	6-7-17
APPD BY:	DHG	DATE	6-30-17
DWG NO.	CT790005	REV.	A5

B

B



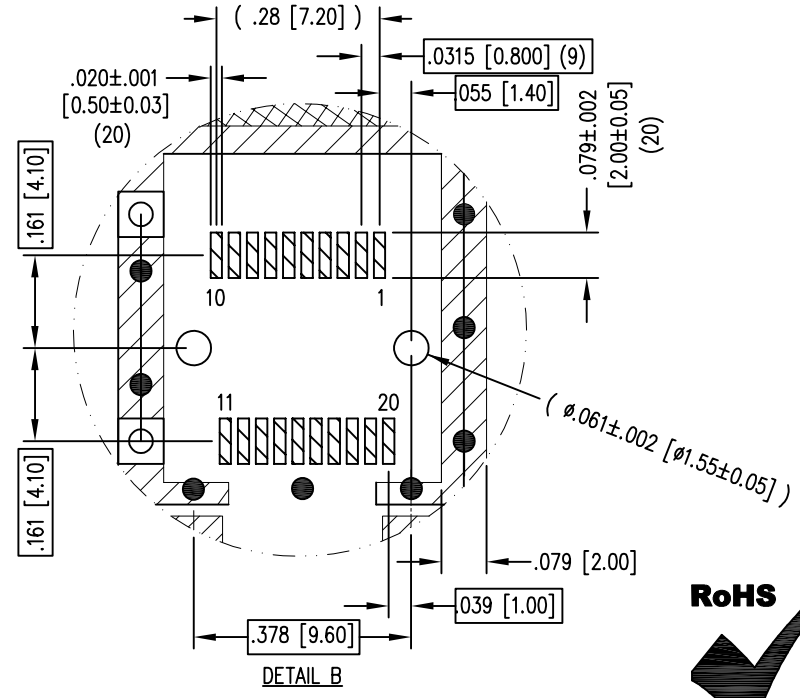
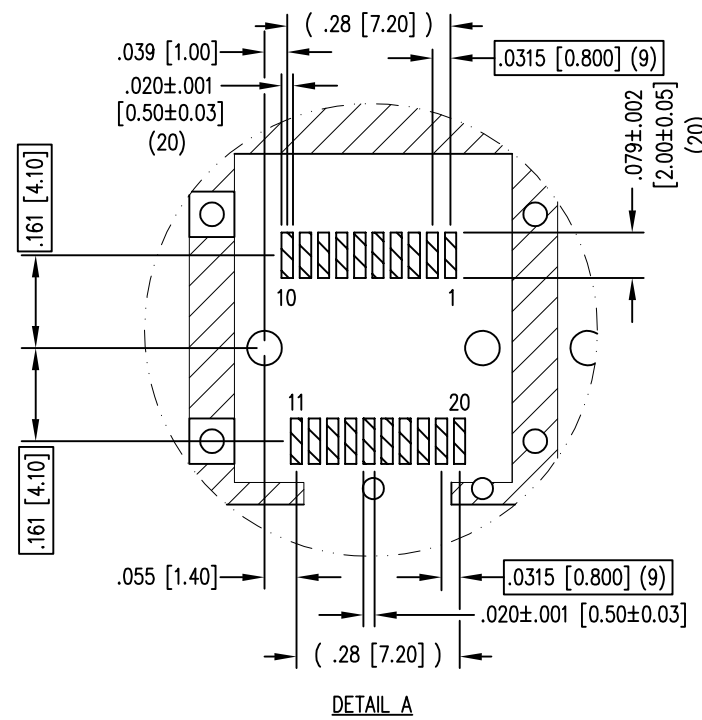
PCB LAYOUT (TOP VIEW)  
PCB TOLERANCES: ±.002 [±0.05]



RECOMMENDED PCB CONFIGURATION WITH KEEP-OUT AREAS BELLY TO BELLY APPLICATIONS  
PCB TOLERANCES: ±.002 [±0.05]

A

A



THIRD ANGLE PROJECTION

DRAWING IS SUBJECT TO CHANGE WITHOUT NOTICE

UNLESS OTHERWISE SPECIFIED DIMENSIONS INCHES [METRIC]

TOLERANCES ARE:

ANGLES ± 2°

1 PLC. DEC. ±.010" [±0.25]

2 PLC. DEC. ±.005" [±0.13]

3 PLC. DEC. ±.004" [±0.10]

DO NOT SCALE DRAWING

SHEET NO. 3 OF 3

1118 Susquehanna Trail South  
Glen Rock, PA 17327-9199  
(717) 235-7512  
<http://www.stewartconnector.com>

TITLE: SFP+ 1X2 CAGE WITH EMI CLIP, PRESS FIT

DRN BY: TRM DATE 6-7-17

APPD BY: DHG DATE 6-30-17

DWG NO. CT790005 REV. A5

THIS DRAWING AND THE SUBJECT MATTER SHOWN THEREON ARE CONFIDENTIAL AND THE PROPRIETARY PROPERTY OF STEWART CONNECTOR AND SHALL NOT BE REPRODUCED, COPIED, OR USED IN ANY MANNER WITHOUT PRIOR WRITTEN CONSENT OF STEWART CONNECTOR. ONE OR MORE U.S. PATENTS MAY APPLY TO THIS PRODUCT. FOR DETAILS, PLEASE VISIT: [HTTP://BELFUSE.COM/STEWART/STEWART\\_PATENTS/](http://BELFUSE.COM/STEWART/STEWART_PATENTS/)