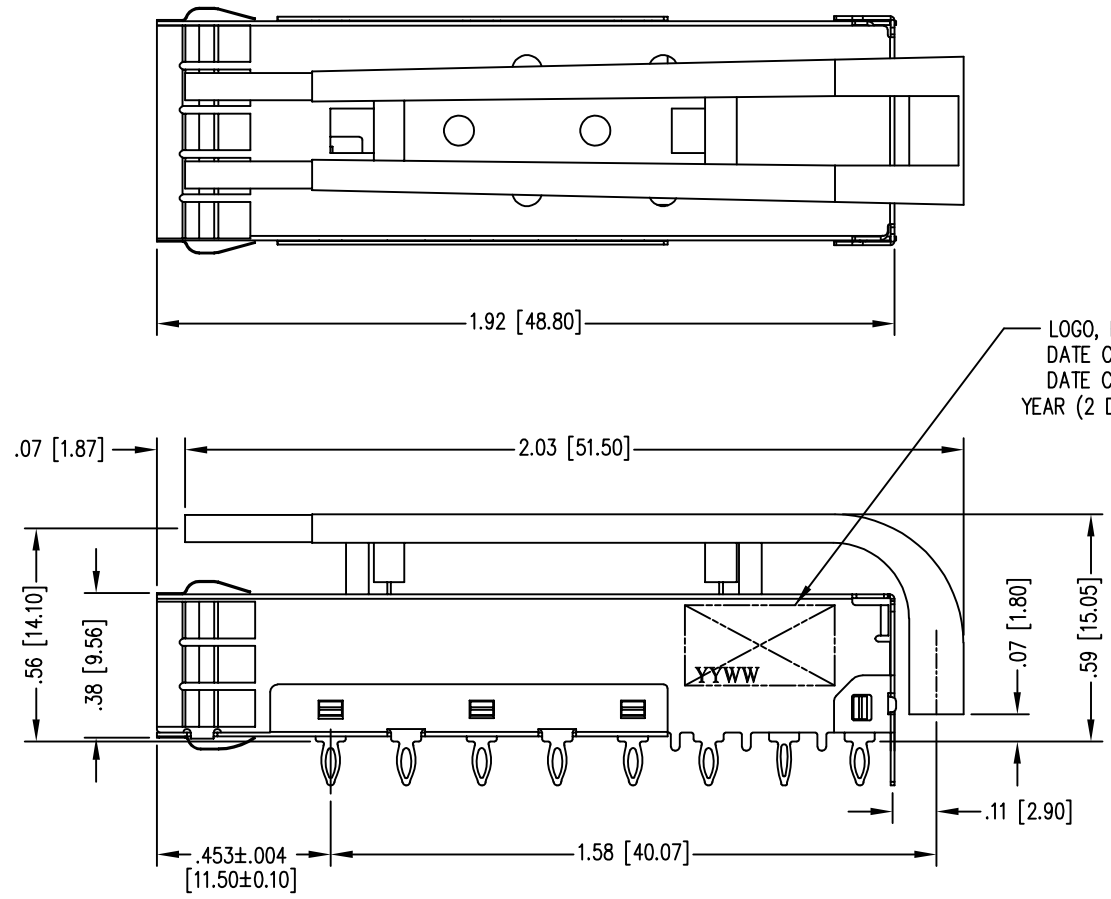
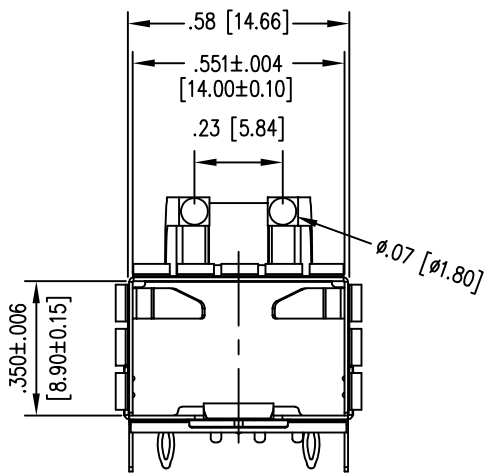
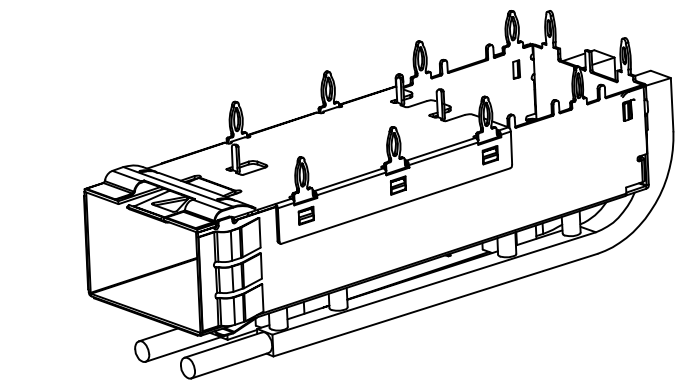
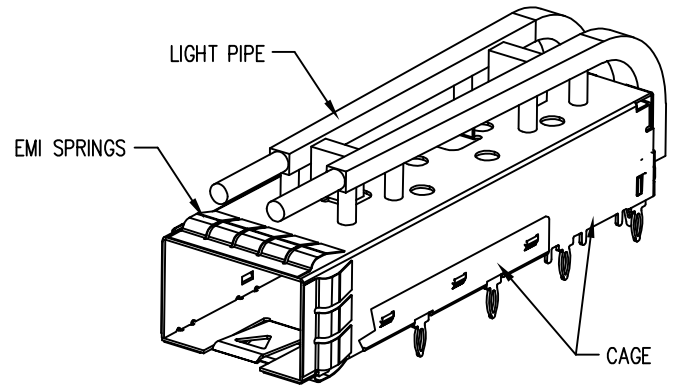


DATE	REV	ECN	APP'D. BY
8-11-17	A2	11061	TRM
8-16-17	A3	11066	TRM
9-28-17	A4	11104	DHG



- NOTES:
- MATERIALS:
 CAGE: COPPER ALLOY
 EMI SPRINGS: COPPER ALLOY
 LIGHT PIPE: PC UL 94V-0, COLOR: CLEAR
 - PLATING:
 CAGE: NICKEL
 EMI SPRINGS: NICKEL
 - TEMPERATURE:
 OPERATIONAL: -40°C~+85°C
 STORAGE: -55°C~+105°C
 - FOR PRODUCT SPECIFICATIONS SEE PR043-01.
 - MATES WITH SFP MSA COMPLIANT TRANSCEIVERS.

SS-79100-003
PART NUMBER



THIRD ANGLE PROJECTION

 DRAWING IS SUBJECT TO CHANGE WITHOUT NOTICE
 UNLESS OTHERWISE SPECIFIED DIMENSIONS INCHES [METRIC]
 TOLERANCES ARE:
 ANGLES ± 2°
 1 PLC. DEC. ±.010" [±0.25]
 2 PLC. DEC. ±.008" [±0.20]
 3 PLC. DEC. ±.006" [±0.15]
 DO NOT SCALE DRAWING
 SHEET NO. 1 OF 2

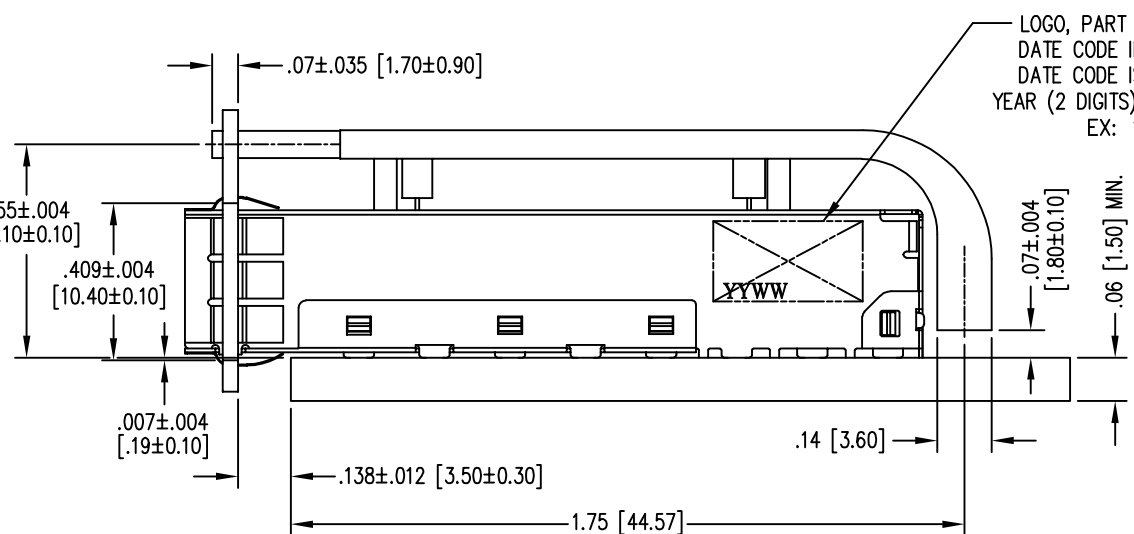
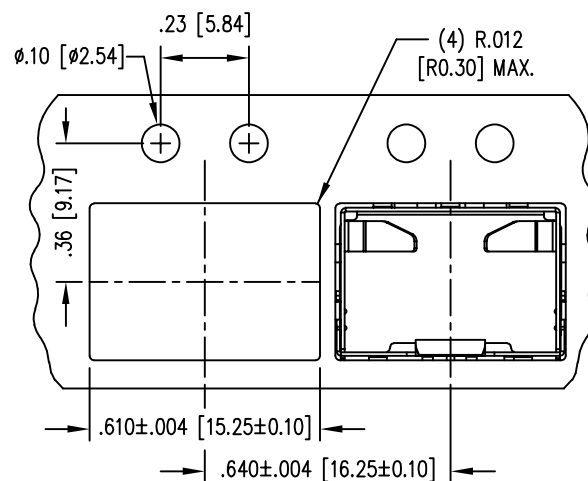
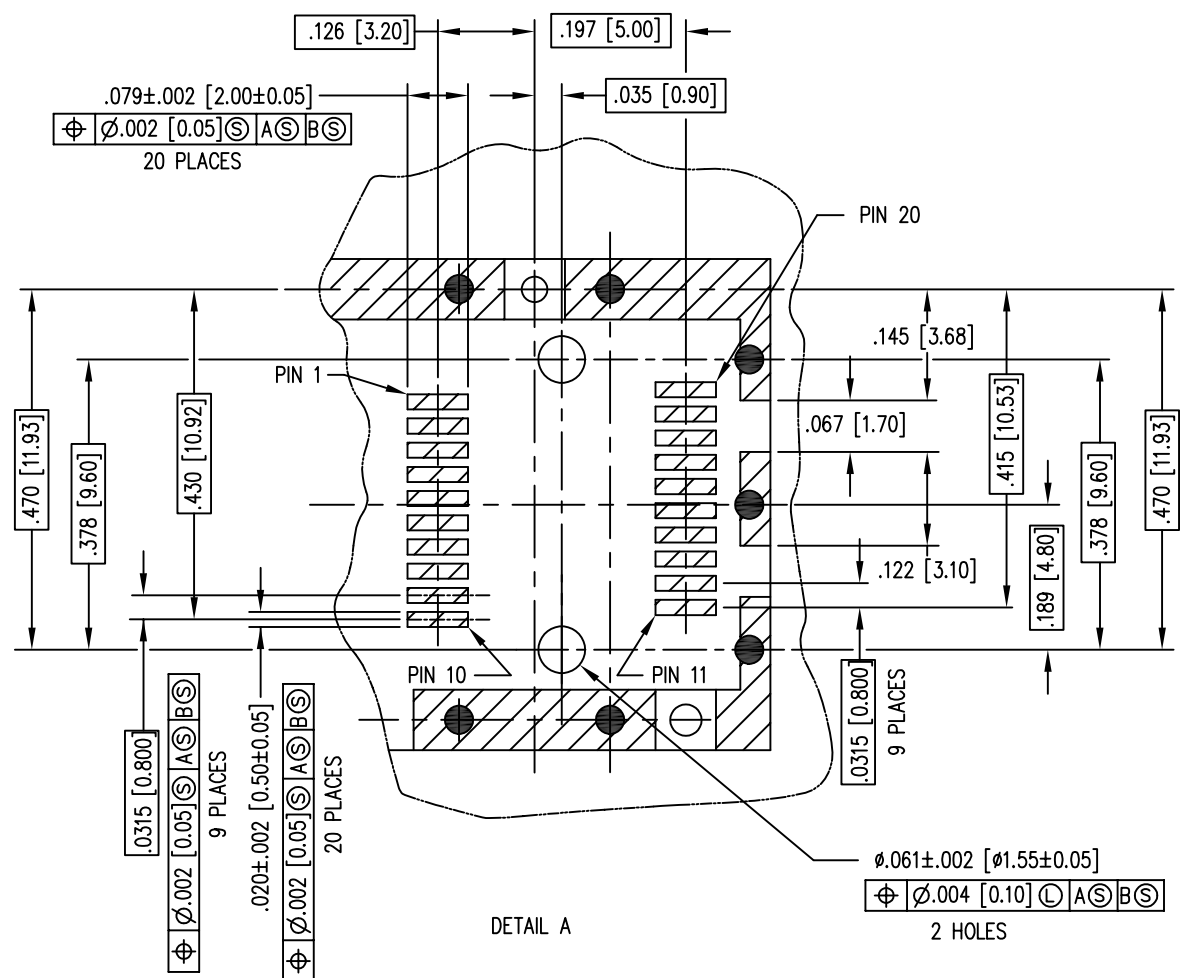
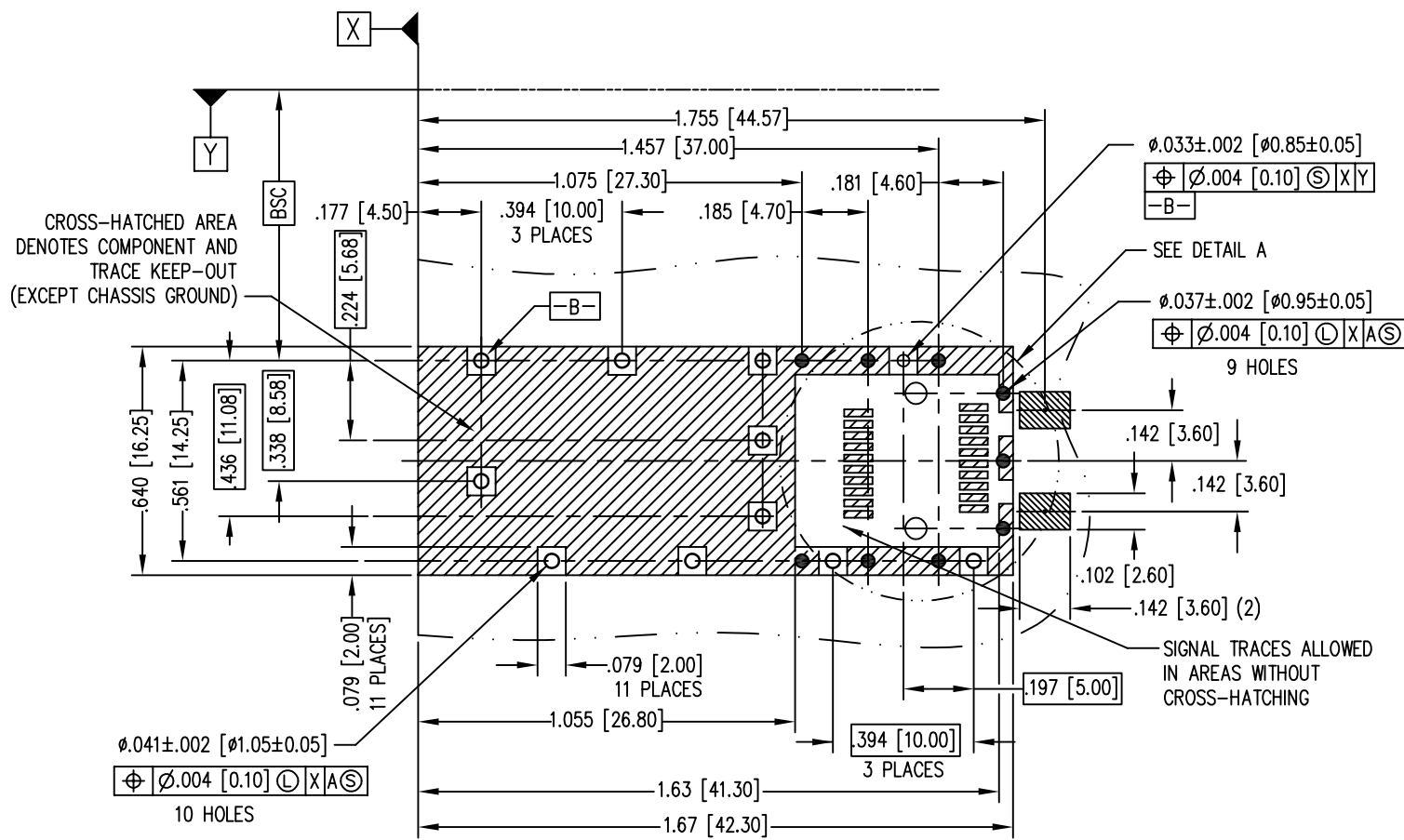
stewart
 CONNECTOR
 a bel group

1118 Susquehanna Trail South
 Glen Rock, PA 17327-9199
 (717) 235-7512
<http://www.stewartconnector.com>

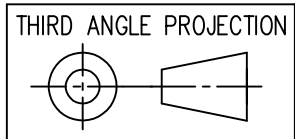
TITLE: SFP+ 1X1 CAGE W/LIGHT PIPE, PRESS FIT

THIS DRAWING AND THE SUBJECT MATTER SHOWN THEREON ARE CONFIDENTIAL AND THE PROPRIETARY PROPERTY OF STEWART CONNECTOR AND SHALL NOT BE REPRODUCED, COPIED, OR USED IN ANY MANNER WITHOUT PRIOR WRITTEN CONSENT OF STEWART CONNECTOR. ONE OR MORE U.S. PATENTS MAY APPLY TO THIS PRODUCT. FOR DETAILS, PLEASE VISIT: [HTTP://BELFUSE.COM/STEWART/STEWART_PATENTS/](http://BELFUSE.COM/STEWART/STEWART_PATENTS/)

DRN BY: TRM	DATE: 6-5-17
APPD BY: DHG	DATE: 6-30-17
DWG NO. CT790003	REV. A4



THE SUGGESTED PANEL OPENING IS INTENDED TO GIVE USERS THE ABILITY TO HAVE REASONABLE CAGE/PANEL CLEARANCES, YET MAINTAIN GROUNDING CAPABILITY. THESE VARIABLES CAN BE ADJUSTED IN EITHER DIRECTION BUT MAY CARRY SOME CONSEQUENCES IN THE FORM OF LOWER MATING FORCES OR TIGHTER ASSEMBLY TOLERANCES.



DRAWING IS SUBJECT TO CHANGE WITHOUT NOTICE

UNLESS OTHERWISE SPECIFIED DIMENSIONS INCHES [METRIC] TOLERANCES ARE:

ANGLES $\pm 2^\circ$

1 PLC. DEC. $\pm 0.10^\circ$ [± 0.25]

2 PLC. DEC. $\pm 0.08^\circ$ [± 0.20]

3 PLC. DEC. $\pm 0.06^\circ$ [± 0.15]

DO NOT SCALE DRAWING

SHEET NO. 2 OF 2



11118 Susquehanna Trail South
Glen Rock, PA 17327-9199
(717) 235-7512
<http://www.stewartconnector.com>

TITLE: SFP+ 1X1 CAGE W/LIGHT PIPE, PRESS FIT

THIS DRAWING AND THE SUBJECT MATTER SHOWN THEREON ARE CONFIDENTIAL AND THE PROPRIETARY PROPERTY OF STEWART CONNECTOR AND SHALL NOT BE REPRODUCED, COPIED, OR USED IN ANY MANNER WITHOUT PRIOR WRITTEN CONSENT OF STEWART CONNECTOR. ONE OR MORE U.S. PATENTS MAY APPLY TO THIS PRODUCT. FOR DETAILS, PLEASE VISIT: [HTTP://BELFUSE.COM/STEWART/STEWART_PATENTS/](http://BELFUSE.COM/STEWART/STEWART_PATENTS/)

DRN BY:	TRM	DATE	6-4-17
APPD BY:	DHG	DATE	6-30-17
DWG NO.	CT790003	REV.	A4