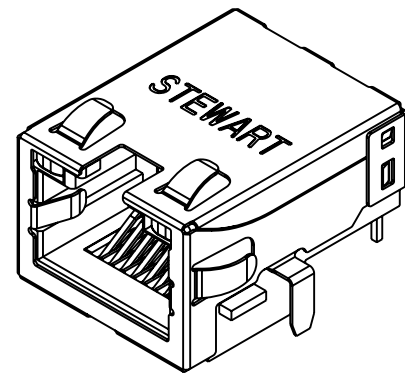
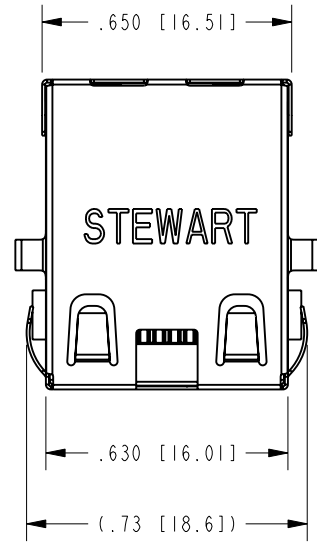
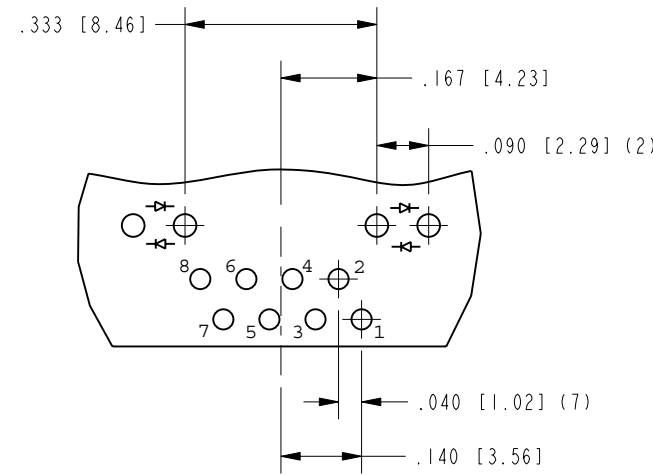
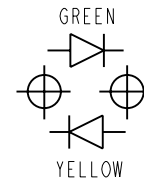


DATE	REV.	ECN	APP'D BY
2-27-20	X0	-	ADB
3-31-20	A0	-	JE
5-15-20	A1	11552	JE



ISOMETRIC VIEW

LED POLARITY (ENLARGED VIEW)



DETAIL A SCALE 3.000

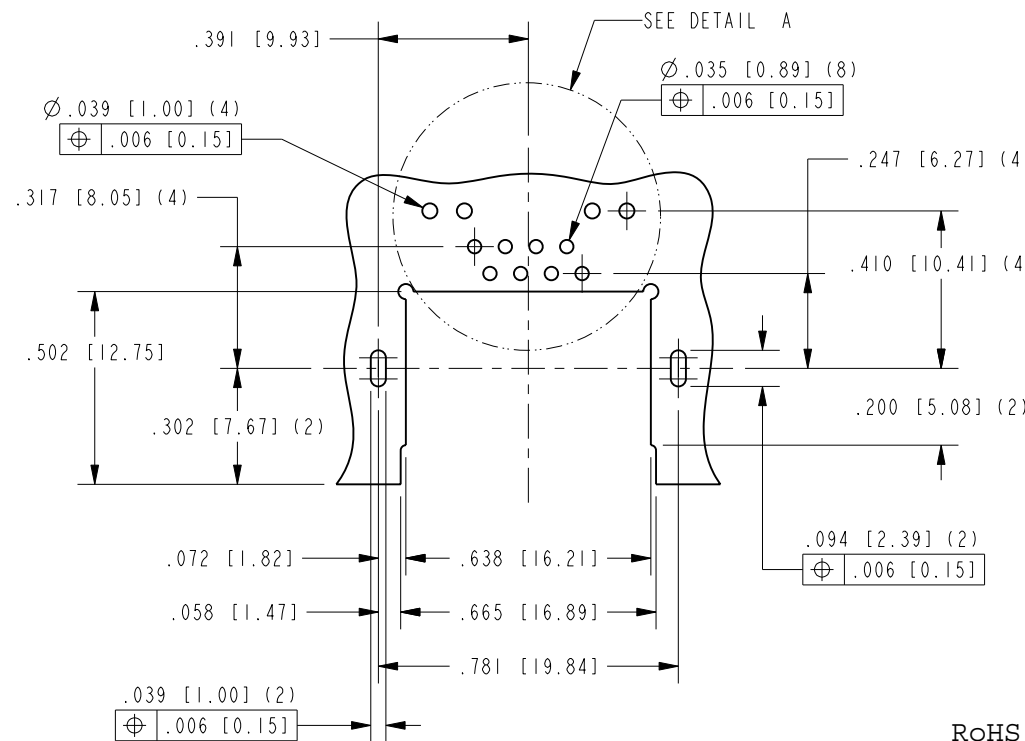
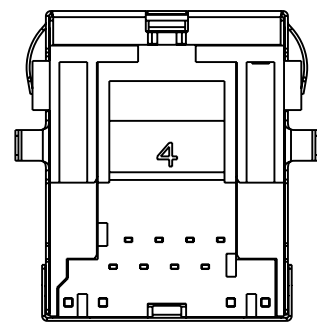
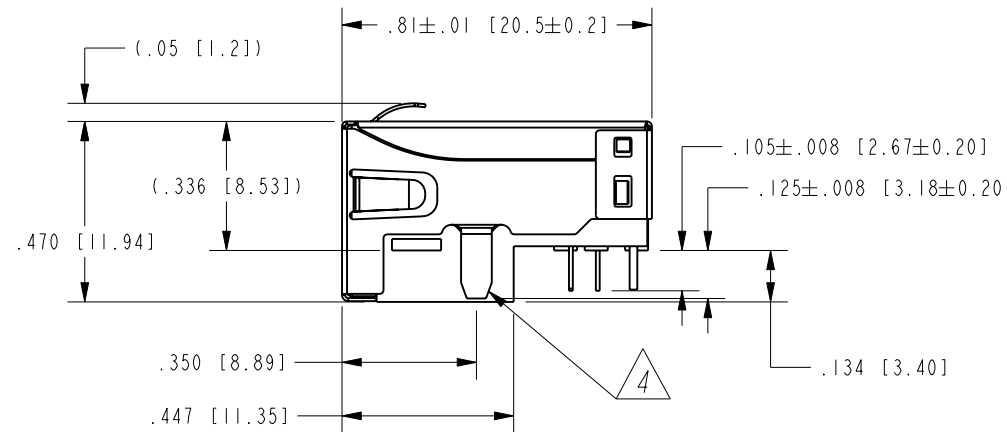
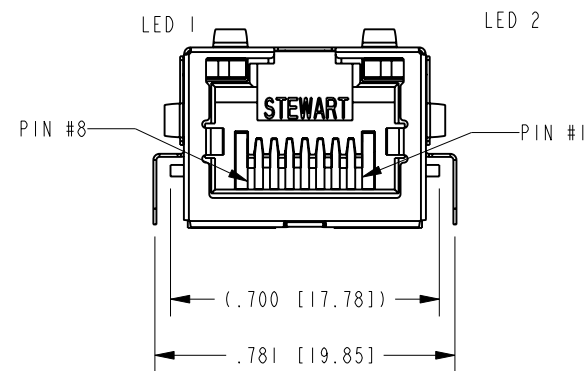
LED SPECIFICATIONS				
BI-COLOR LED		WAVELENGTH	FORWARD VOLTAGE (MAX)	*FORWARD VOLTAGE (TYP)
GREEN/YELLOW	GREEN	565 nm	2.5 V	2.2 V
	YELLOW	590 nm	2.5 V	2.1 V

*WITH A FORWARD CURRENT OF 20 mA (TYP)

NOTES:

- CONNECTOR MATERIALS:
HOUSING: HALOGEN FREE THERMOPLASTIC UL94 V-0
CONTACTS: COPPER ALLOY
SHIELD: STAINLESS STEEL
CONTACT PLATING: SELECTIVE GOLD IN CONTACT AREA (SEE CHART FOR PART NUMBER)
MATTE TIN PLATED SOLDER TAILS
- FOR PRODUCT SPECIFICATIONS SEE PR022-01.
- DIMENSIONS AND TOLERANCES COMPLY WITH TIA-1096 STANDARD.
- SHIELD LEADS (2) ARE TIN DIPPED TO .010 MIN ABOVE TOP SURFACE OF PRINTED CIRCUIT BOARD SEATING PLANE.
- DESIGNED FOR CATEGORY 5/5E APPLICATIONS.

50 MICRO-INCHES [1.27um]	SS-74800-146
CONTACT PLATING IN MATING AREA	PART NUMBER

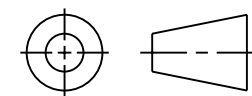


P.C.B. RECOMMENDED HOLE LAYOUT SEEN FROM COMPONENT SIDE ALL CENTERLINE DIMENSIONS ARE BASIC

RoHS



THIRD ANGLE PROJECTION



DO NOT SCALE DRAWING DRAWING IS SUBJECT TO CHANGE WITHOUT NOTICE

DIMENSIONS: INCHES [METRIC] UNLESS OTHERWISE SPECIFIED TOLERANCES ARE ±.005 [0.13] ANGLES ARE ±1°

SHEET NO. 1 OF 1



11118 Susquehanna Trail South
Glen Rock, PA 17327-9199
(717) 235-7512
<http://www.stewartconnector.com>

TITLE: RJ45 SINGLE PORT MIDPLANE JACK WITH BI-COLOR GREEN/YELLOW LEDs, HALOGEN FREE MATERIAL

THIS DRAWING AND THE SUBJECT MATTER SHOWN THEREON ARE CONFIDENTIAL AND THE PROPRIETARY PROPERTY OF STEWART CONNECTOR AND SHALL NOT BE REPRODUCED, COPIED, OR USED IN ANY MANNER WITHOUT PRIOR WRITTEN CONSENT OF STEWART CONNECTOR. ONE OR MORE U.S. PATENTS MAY APPLY TO THIS PRODUCT. FOR DETAILS, PLEASE VISIT: [HTTP://BELFUSE.COM/STEWART/STEWART_PATENTS/](http://BELFUSE.COM/STEWART/STEWART_PATENTS/)

DRN BY: JE	DATE 01-20-20
APPD BY: ADB	DATE 02-27-20
DWG. NO. CT740274	REV. A1