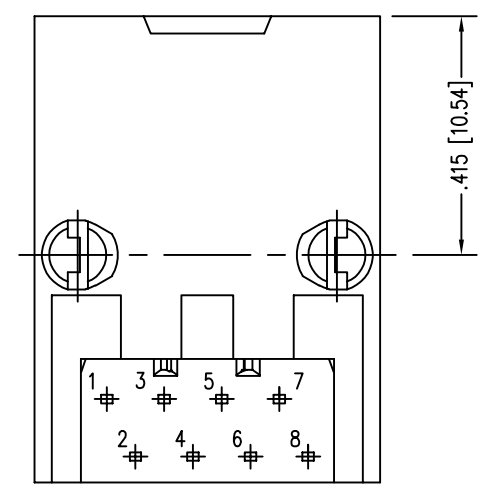
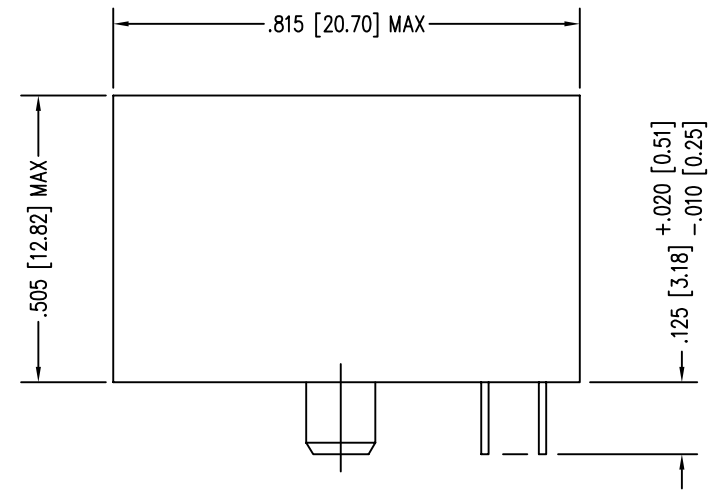
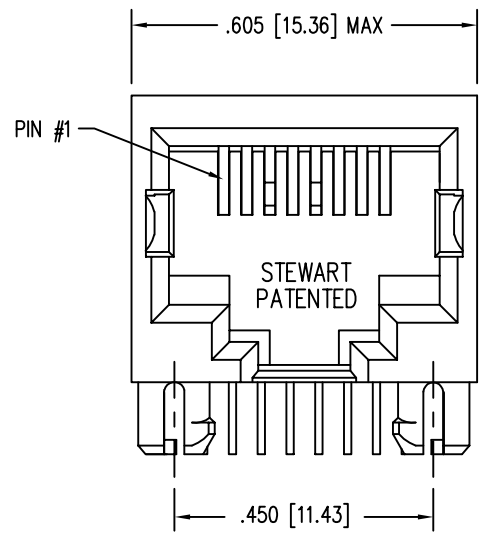
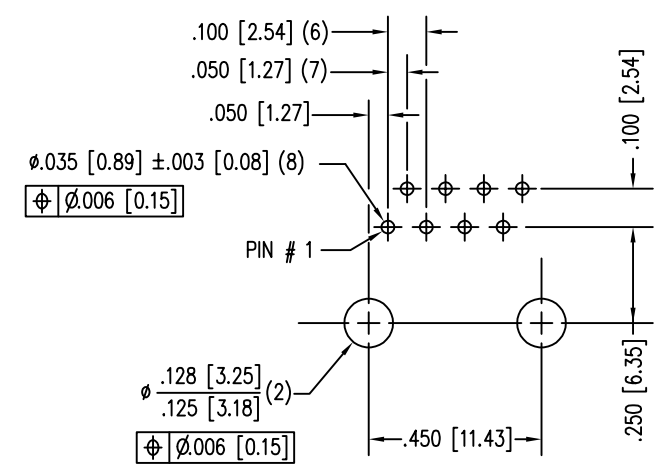


| DATE | REV | ECN | APP'D. BY |
|---------|-----|-------|-----------|
| 2-29-16 | A8 | 10572 | TRM |
| 3-23-17 | A9 | 10946 | TRM |
| | | | |
| | | | |



PIN POSITION LAYOUT IS IDENTICAL TO STANDARD JACKS

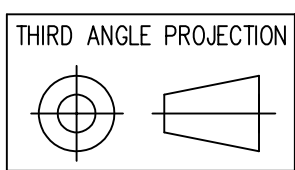


P.C.B. RECOMMENDED HOLE LAYOUT SEEN FROM COMPONENT SIDE
ALL CENTERLINE DIMENSIONS ARE BASIC

NOTES:

- CONNECTOR MATERIALS:
HOUSING: THERMOPLASTIC UL94 V-0
CONTACTS: COPPER ALLOY
CONTACT PLATING: SELECTIVE GOLD IN CONTACT AREA
SEE CHART FOR PART NUMBER
- FOR PRODUCT SPECIFICATIONS SEE PR022-01.
- DIMENSIONS AND TOLERANCES COMPLY WITH FCC/CFR 47, PART 68.
- DESIGNED FOR CATEGORY 5/5e APPLICATIONS.

| | |
|--------------------------------|-------------|
| 30 MICRO-INCHES [0.76um] | SS-7188-NF |
| CONTACT PLATING IN MATING AREA | PART NUMBER |



1118 Susquehanna Trail South
Glen Rock, PA 17327-9199
(717) 235-7512
<http://www.stewartconnector.com>

DO NOT SCALE DRAWING
DRAWING IS SUBJECT TO CHANGE WITHOUT NOTICE
DIMENSIONS: INCHES [METRIC]
UNLESS OTHERWISE SPECIFIED TOLERANCES ARE ±.005 [0.13] ANGLES ARE ± 1°
SHEET NO. 1 OF 1

TITLE: EIGHT CONTACT, EIGHT POSITION UNSHIELDED CAT 5/5e JACK NON-FLANGE
THIS DRAWING AND THE SUBJECT MATTER SHOWN THEREON ARE CONFIDENTIAL AND THE PROPRIETARY PROPERTY OF STEWART CONNECTOR AND SHALL NOT BE REPRODUCED, COPIED, OR USED IN ANY MANNER WITHOUT PRIOR WRITTEN CONSENT OF STEWART CONNECTOR. ONE OR MORE U.S. PATENTS MAY APPLY TO THIS PRODUCT. FOR DETAILS, PLEASE VISIT: [HTTP://BELFUSE.COM/STEWART/STEWART_PATENTS/](http://BELFUSE.COM/STEWART/STEWART_PATENTS/)

| | |
|------------------|--------------|
| DRN BY: RJ | DATE: 6-9-94 |
| APPD BY: TEM | DATE: 6-9-94 |
| DWG NO. CT710006 | REV. A9 |

