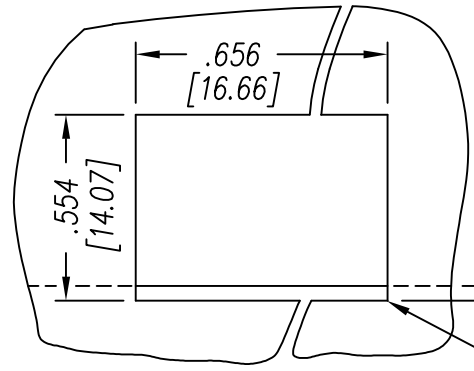
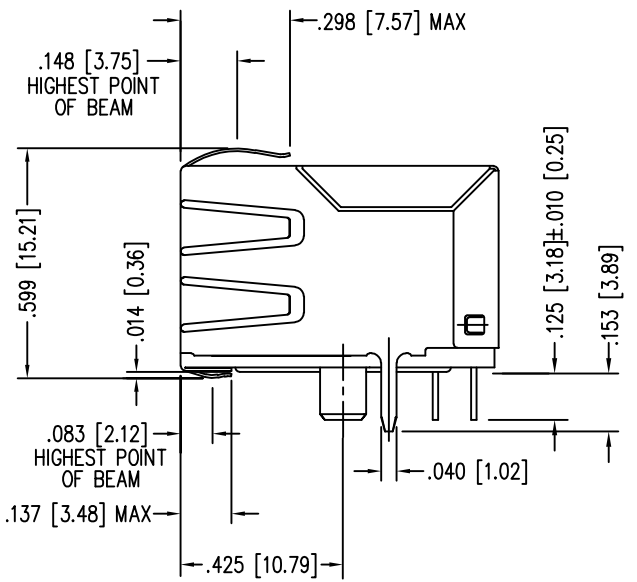
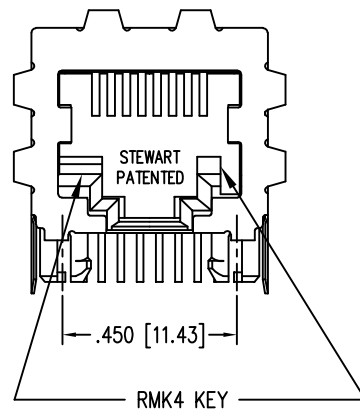
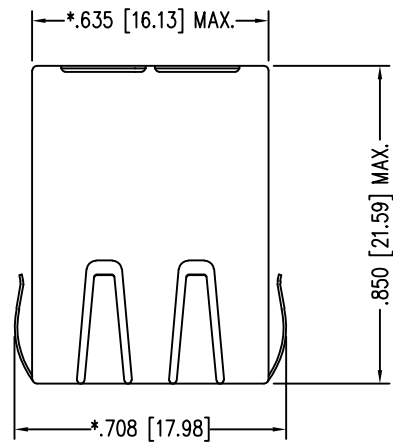


| DATE | REV | ECN | APP'D. BY |
|---------|-----|-------|-----------|
| 1-12-17 | A7 | 10860 | TRM |
| 3-28-17 | A8 | 10958 | TRM |
| | | | |
| | | | |



.000 [0.0] TOP OF PCB TO BOTTOM OF OPENING
 .010 [0.25] MAX. RADIUS (4)

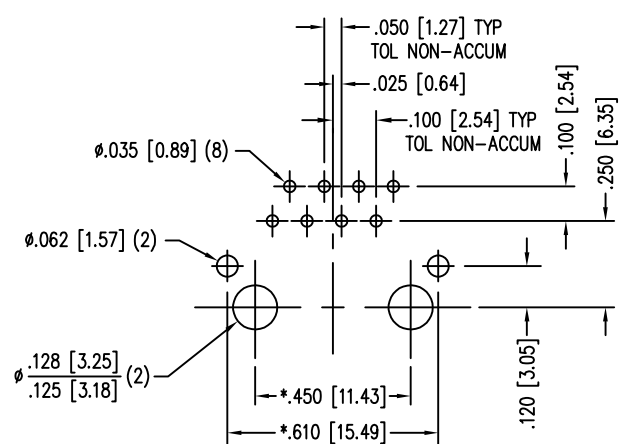
- NOTES:
- CONNECTOR MATERIALS:
 HOUSING: THERMOPLASTIC UL94 V-0
 CONTACTS/SHIELD: COPPER ALLOY
 SHIELD PLATING: NICKEL WITH TIN PLATED SOLDER TAILS.
 CONTACT PLATING: SELECTIVE GOLD IN CONTACT AREA
 SEE CHART FOR PART NUMBER
 - FOR PRODUCT SPECIFICATIONS SEE PRO22-01.
 - DIMENSIONS AND TOLERANCES COMPLY WITH TIA-1096 STANDARD.
 - THE SUGGESTED PANEL OPENING IS INTENDED TO GIVE USER THE ABILITY TO HAVE REASONABLE JACK/PANEL CLEARANCES, YET MAINTAIN GROUNDING CAPABILITY. THESE VARIABLES CAN BE ADJUSTED IN EITHER DIRECTION BUT MAY CARRY SOME CONSEQUENCES IN THE FORM OF LOWER MATING FORCES OR TIGHTER ASSEMBLY TOLERANCES.

B

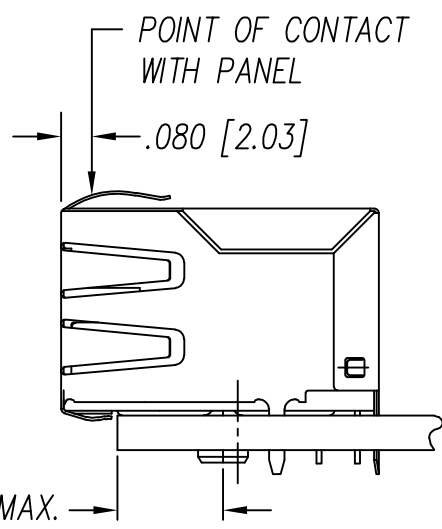
B

A

A



P.C.B. RECOMMENDED HOLE LAYOUT
 SEEN FROM COMPONENT SIDE
 TOLERANCE ±.003 [0.08] UNLESS OTHERWISE SPECIFIED



.275 [6.99] MAX.



| | |
|--------------------------------|------------------------|
| 30 MICRO-INCHES [0.76um] | SS-6488S-A-PG4-BA-RMK4 |
| CONTACT PLATING IN MATING AREA | PART NUMBER |

| | |
|--|---|
| THIRD ANGLE PROJECTION | 1118 Susquehanna Trail South Glen Rock, PA 17327-9199 (717) 235-7512 http://www.stewartconnector.com |
| DO NOT SCALE DRAWING DRAWING IS SUBJECT TO CHANGE WITHOUT NOTICE | |
| DIMENSIONS: INCHES [METRIC] | TITLE: EIGHT POSITION, EIGHT CONTACT JACK EMI-RFI ONE PIECE SHIELDED, ESD GROUNDED |
| UNLESS OTHERWISE SPECIFIED TOLERANCES ARE ±.005 [0.13] ANGLES ARE ± 1° | DRN BY: TRM DATE 7-13-01 |
| SHEET NO. 1 OF 1 | APPD BY: TRM DATE 7-13-01 |
| | DWG NO. CT640274 REV. A8 |