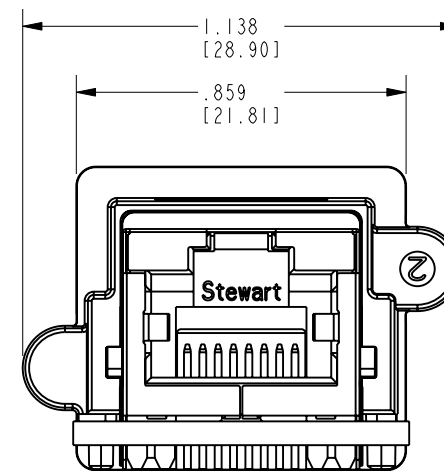
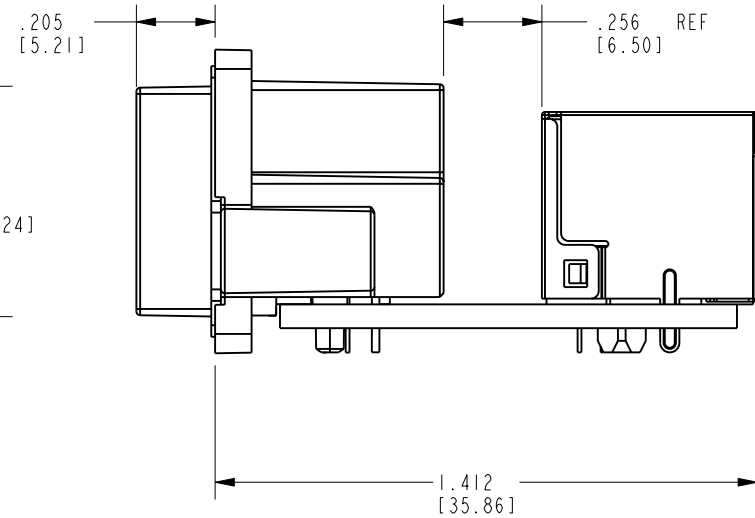
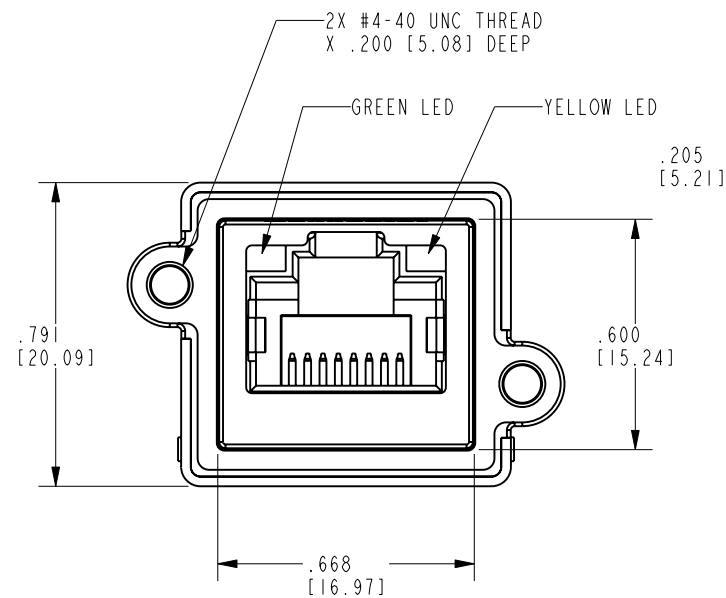
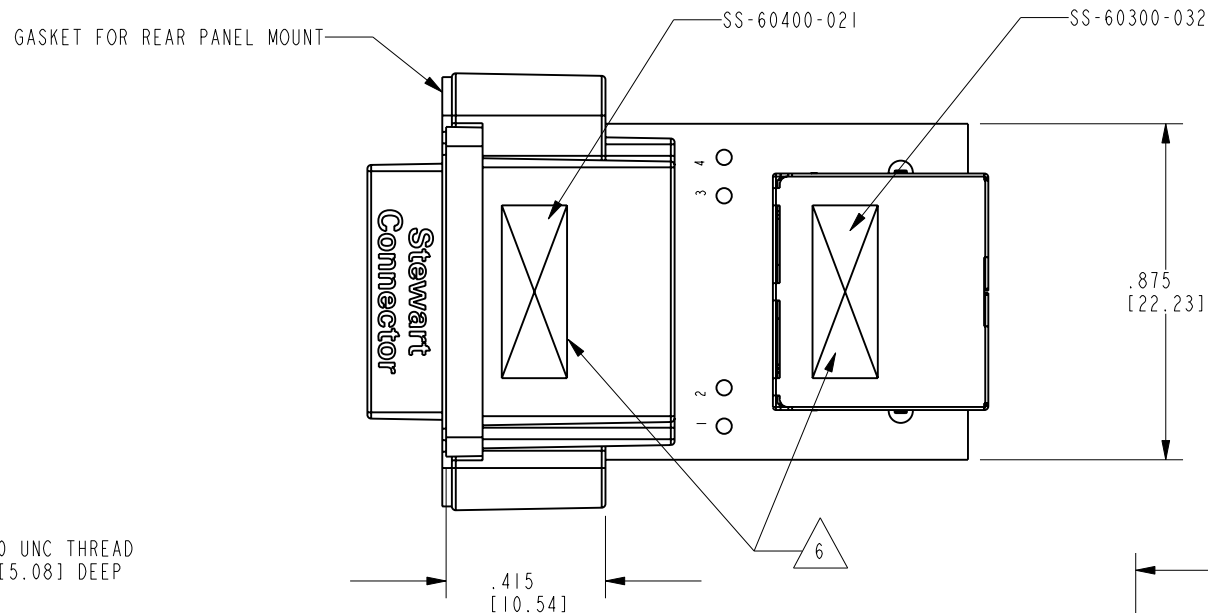


| DATE | REV. | ECN | APP'D BY |
|---------|------|-------|----------|
| 8/21/19 | X0 | - | ADB |
| 9/19/19 | A0 | - | JE |
| 5/24/22 | A1 | 11988 | GWL |

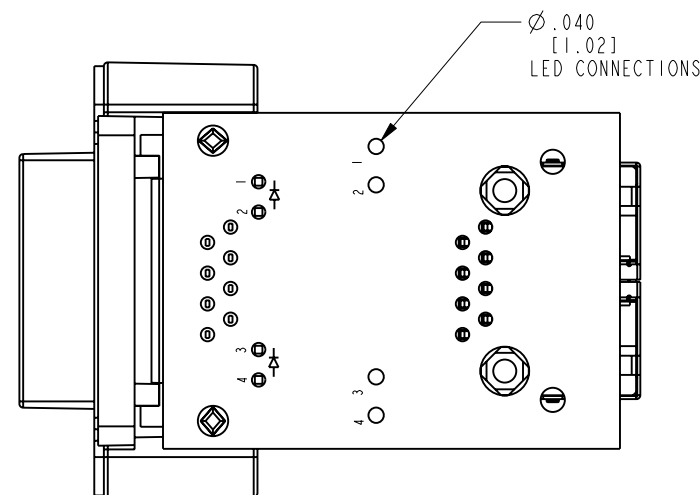


- NOTES:
- CONNECTOR MATERIALS:
HOUSING/INSERT: THERMOPLASTIC UL94 V-0
SHIELDS: SS-60400-021, ZINC DIE-CAST ALLOY
SS-60300-032, COPPER ALLOY
SHIELD PLATING: SS-60400-021, TIN OVER COPPER
SS-60300-032, NICKEL
CONTACTS AND GROUND SPRINGS: COPPER ALLOY
CONTACT PLATING: SEE TABLE BELOW
GROUND SPRING PLATING: NICKEL
GASKET: SILICONE RUBBER
SILICONE SEALING COMPOUND IN REAR OF JACK
 - PRODUCT INTENDED FOR CATEGORY 5e APPLICATIONS.
 - DIMENSIONS AND TOLERANCES COMPLY WITH TIA-1096 STANDARD.
 - REFERENCE PRODUCT SPECIFICATION PR042-01.
 - ENVIRONMENTAL PERFORMANCE PER IEC 60529 CODE IP67, FOR CONNECTOR AND PANEL INTERFACE. REFER TO INSTRUCTION SHEET MN600001 FOR INSTALLATION GUIDELINES.
 - PRODUCT MARKED WITH COMPANY LOGO, PART NUMBER, AND MANUFACTURING DATE / LOCATION IN AREAS AS SHOWN.


| | |
|--------------------------------|--------------|
| 50 MICRO-INCHES [0.76um] AU | SS-60400-028 |
| CONTACT PLATING IN MATING AREA | PART NUMBER |

| LED SPECIFICATION | | | |
|-------------------|------------|-----------------|--------|
| STANDARD LED | WAVELENGTH | FORWARD V (MAX) | *(TYP) |
| GREEN | 565 nm | 2.5 V | 2.2 V |
| YELLOW | 590 nm | 2.5 V | 2.1 V |

*WITH A FORWARD CURRENT OF 20mA (TYP)



| |
|---|
| THIRD ANGLE PROJECTION |
| DO NOT SCALE DRAWING DRAWING IS SUBJECT TO CHANGE WITHOUT NOTICE |
| DIMENSIONS: INCHES [METRIC] |
| UNLESS OTHERWISE SPECIFIED TOLERANCES ARE ±.005 [0.13] ANGLES ARE ±1° |
| SHEET NO. 1 OF 2 |

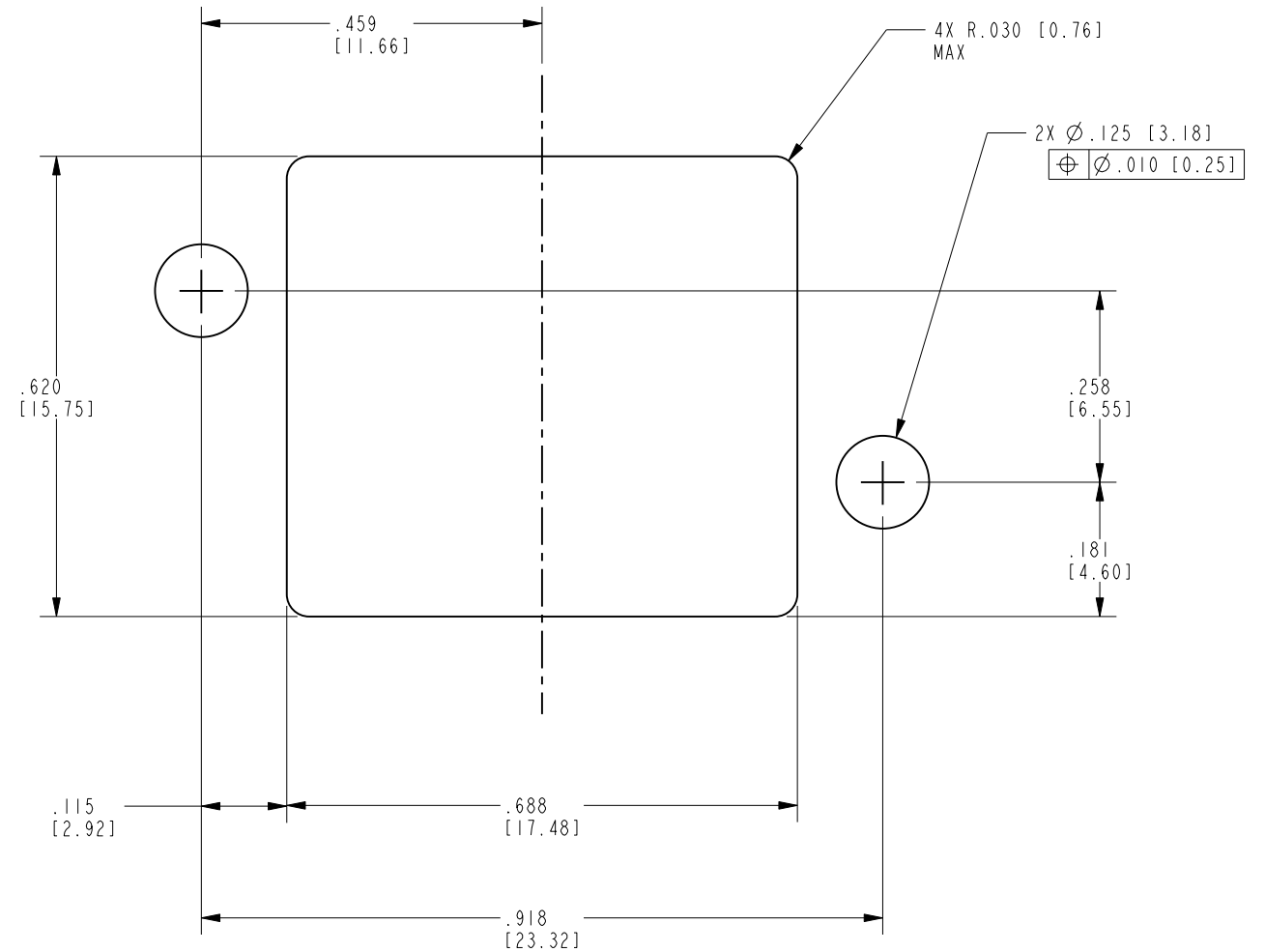
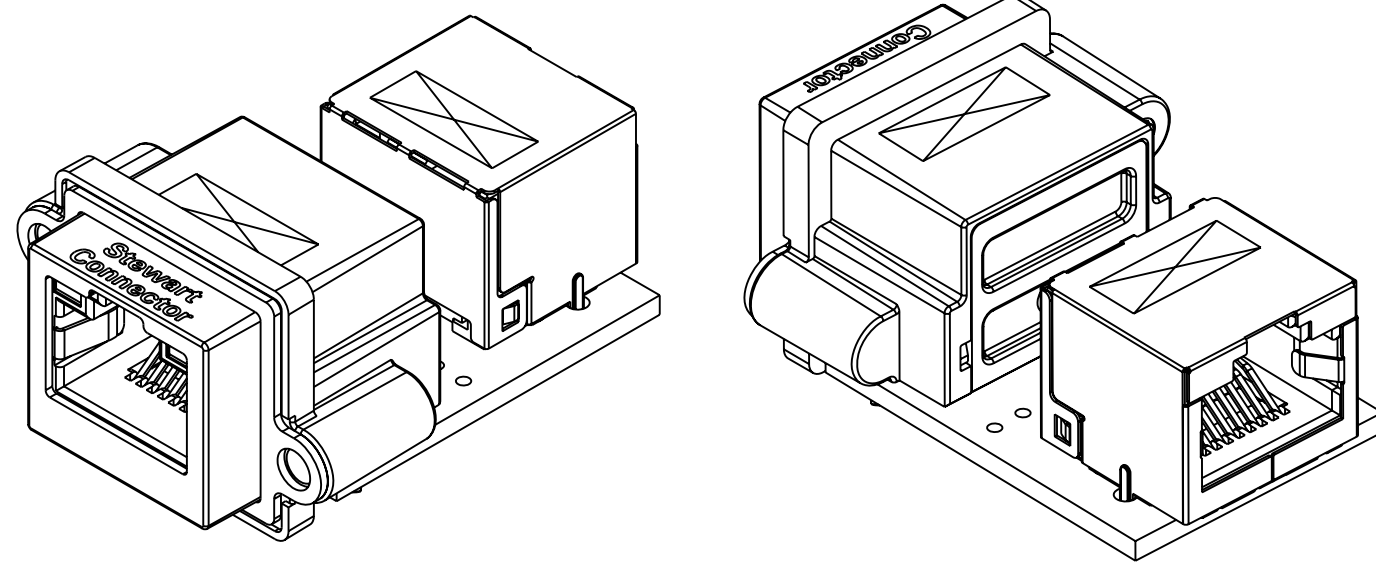


11118 Susquehanna Trail South
Glen Rock, PA 17327-9199
(717) 235-7512
<http://www.stewartconnector.com>

TITLE: SEALJACK RIGHT ANGLE PCB COUPLER WITH LEDS AND #4-40 THREADS

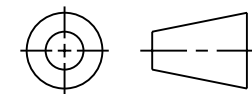
| | |
|-------------------|---------------|
| DRN BY: JE | DATE: 7/22/19 |
| APPD BY: ADB | DATE: 8/21/19 |
| DWG. NO. CT600243 | REV. A1 |

THIS DRAWING AND THE SUBJECT MATTER SHOWN THEREON ARE CONFIDENTIAL AND THE PROPRIETARY PROPERTY OF STEWART CONNECTOR AND SHALL NOT BE REPRODUCED, COPIED, OR USED IN ANY MANNER WITHOUT PRIOR WRITTEN CONSENT OF STEWART CONNECTOR. ONE OR MORE U.S. PATENTS MAY APPLY TO THIS PRODUCT. FOR DETAILS, PLEASE VISIT: [HTTP://BELFUSE.COM/STEWART/STEWART_PATENTS/](http://BELFUSE.COM/STEWART/STEWART_PATENTS/)



RECOMMENDED PANEL CUTOUT
 (FRONT OF PANEL)
 SCALE 4.00
 ALL CENTERLINE DIMENSIONS ARE BASIC

THIRD ANGLE PROJECTION



11118 Susquehanna Trail South
 Glen Rock, PA 17327-9199
 (717) 235-7512
<http://www.stewartconnector.com>

DO NOT SCALE DRAWING
 DRAWING IS SUBJECT TO
 CHANGE WITHOUT NOTICE

TITLE: SEALJACK RIGHT ANGLE PCB COUPLER
 WITH LEDS AND #4-40 THREADS

DIMENSIONS: INCHES [METRIC]
 UNLESS OTHERWISE SPECIFIED
 TOLERANCES ARE ±.005 [0.13]
 ANGLES ARE ±1°

THIS DRAWING AND THE SUBJECT MATTER SHOWN THEREON
 ARE CONFIDENTIAL AND THE PROPRIETARY PROPERTY OF
 STEWART CONNECTOR AND SHALL NOT BE REPRODUCED,
 COPIED, OR USED IN ANY MANNER WITHOUT PRIOR WRITTEN
 CONSENT OF STEWART CONNECTOR. ONE OR MORE U.S. PATENTS
 MAY APPLY TO THIS PRODUCT. FOR DETAILS, PLEASE
 VISIT: [HTTP://BELFUSE.COM/STEWART/STEWART_PATENTS/](http://BELFUSE.COM/STEWART/STEWART_PATENTS/)

| | | | |
|----------|----------|------|---------|
| DRN BY: | JE | DATE | 7/22/19 |
| APPD BY: | ADB | DATE | 8/21/19 |
| DWG. NO. | CT600243 | REV. | A1 |



SHEET NO.
 2 OF 2