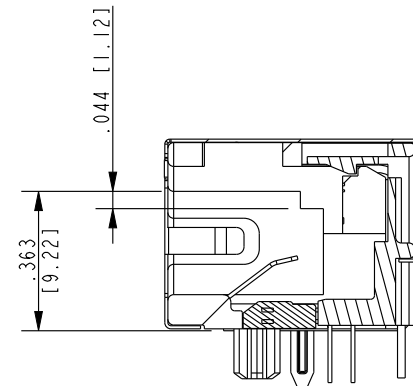
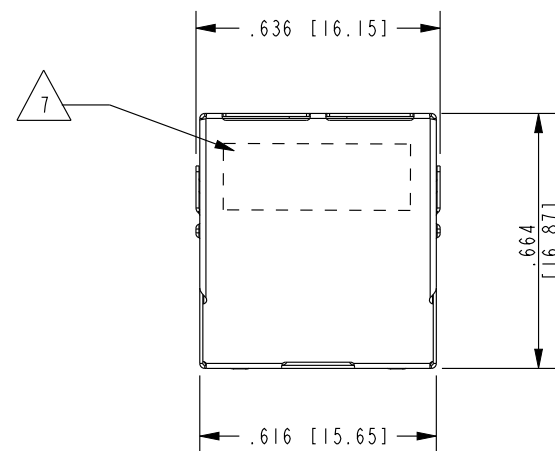
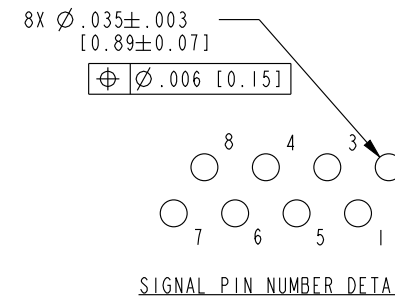
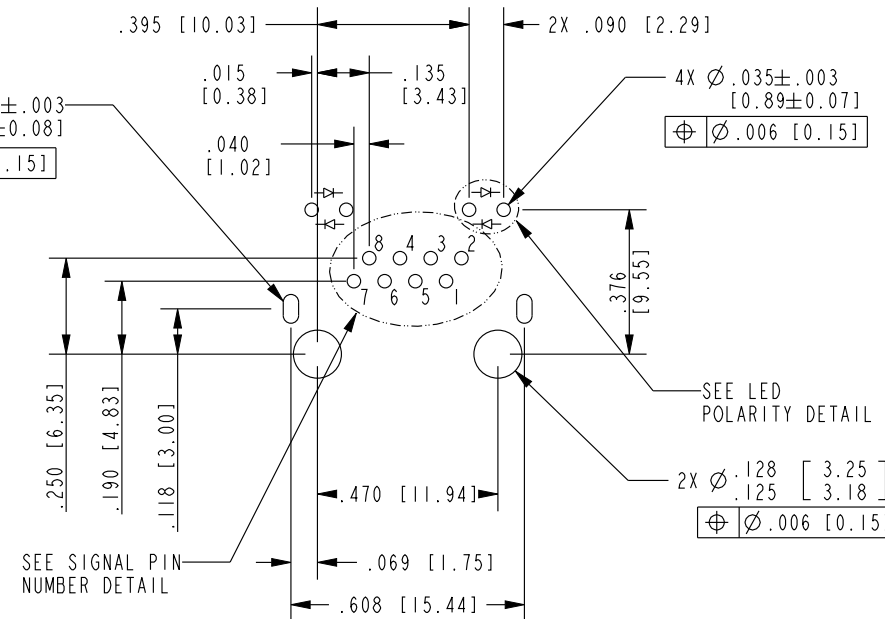


DATE	REV.	ECN	APP'D BY
5-20-19	X0	-	JMM
8-7-19	A0	-	JMM



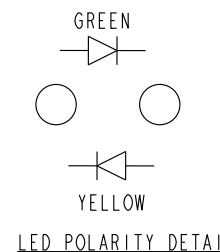
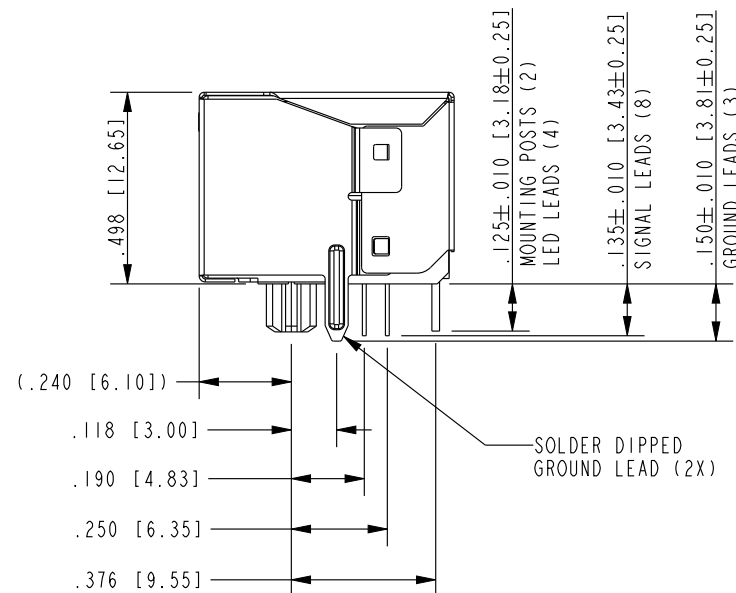
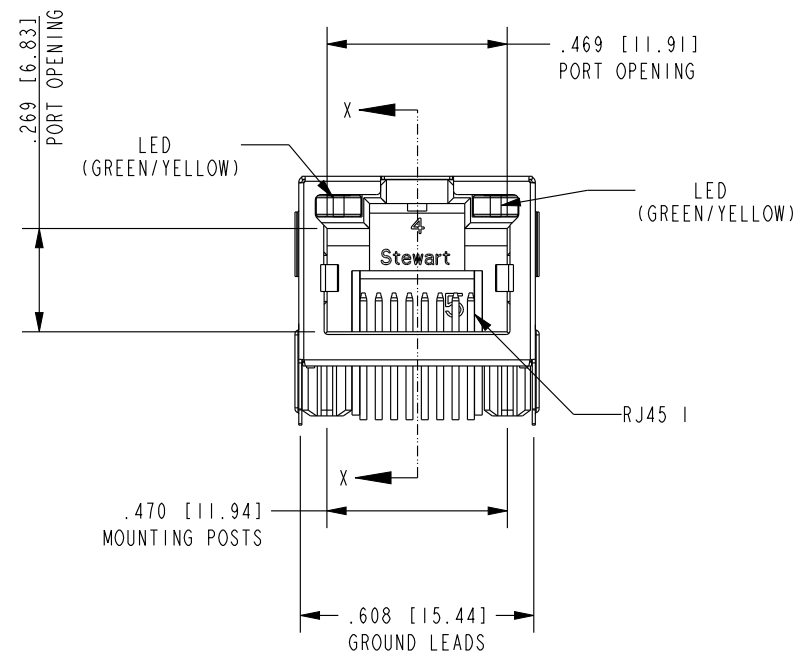
2X .075±.003 X .040±.003
[1.91±0.08 X 1.02±0.08]
⊕ ∅.006 [0.15]



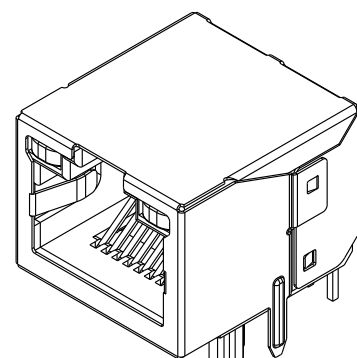
NOTES:

- CONNECTOR MATERIALS:
HOUSING: THERMOPLASTIC UL94 V-0, HALOGEN FREE
CONTACTS: COPPER ALLOY
SHIELD: NICKEL PLATED BRASS
CONTACT PLATING: SELECTIVE GOLD IN CONTACT AREA
SEE CHART FOR PART NUMBER
- DESIGNED FOR 10 GIGABIT APPLICATIONS.
- DIMENSIONS AND TOLERANCES COMPLY WITH TIA-1096 STANDARD.
- DIELECTRIC WITHSTANDING VOLTAGE CONTACT TO SHIELD) : 2250VDC
- HIGH TEMPERATURE PLASTIC: WAVE SOLDER COMPATIBLE TO 260°C.
- FOR PRODUCT SPECIFICATION SEE PR026-01.
- LOGO, PART NUMBER AND DATE CODE LOCATED APPROX. IN THIS AREA.
- FOR PROPER JACK FUNCTION AND PERFORMANCE, TIA-1096 COMPLIANT PLUGS MUST BE USED.

P.C.B. RECOMMENDED HOLE LAYOUT
SEEN FROM COMPONENT SIDE
ALL CENTERLINE DIMENSIONS ARE BASIC.



50 MICRO-INCHES [1.27um]	SS-60300-103
CONTACT PLATING IN MATING AREA	PART NUMBER



ISOMETRIC VIEW

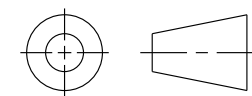
LED SPECIFICATIONS				
BI-COLOR LED	FORWARD VOLTAGE (MAX)	*FORWARD VOLTAGE (TYP)	WAVELENGTH	
GREEN/YELLOW	GREEN	2.5V	2.2V	565nm
	YELLOW	2.5V	2.1V	590nm

*WITH A FORWARD CURRENT OF 20mA (TYP)

RoHS



THIRD ANGLE PROJECTION



DO NOT SCALE DRAWING DRAWING IS SUBJECT TO CHANGE WITHOUT NOTICE	TITLE: 10 GIGABIT HORIZONTAL SHIELDED GREEN/YELLOW LED JACK WITHOUT PANEL GROUND SPRINGS	
DIMENSIONS: INCHES [METRIC]	DRN BY: JE	DATE 5-17-19
UNLESS OTHERWISE SPECIFIED TOLERANCES ARE ±.005 [0.13] ANGLES ARE ±1°	APPD BY: JMM	DATE 5-20-19
SHEET NO. 1 OF 1	DWG. NO. CT600241	REV. A0