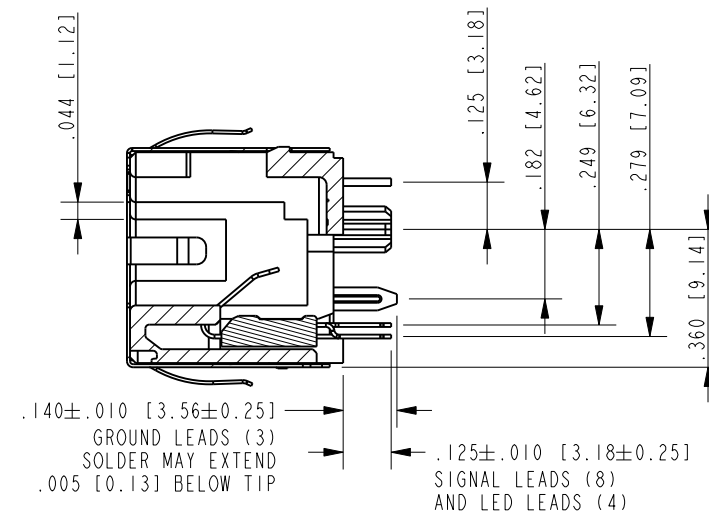
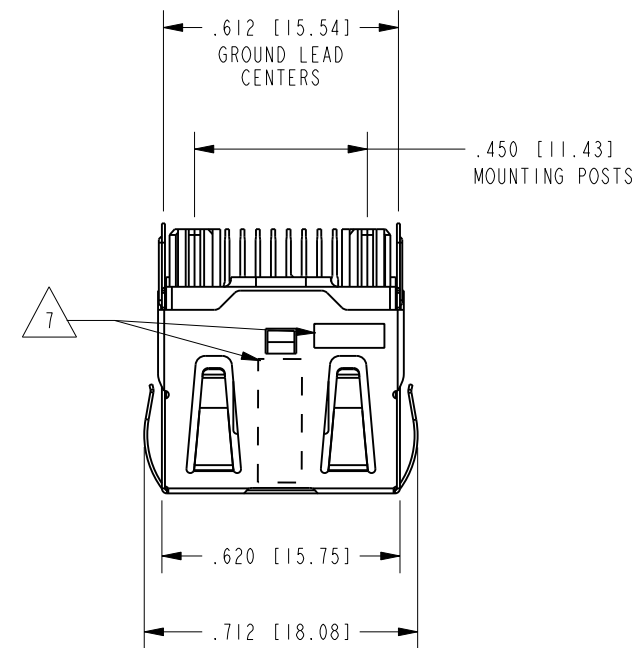


DATE	REV.	ECN	APP'D BY
5-20-19	X0	-	JMM
8-7-19	AO	-	JMM

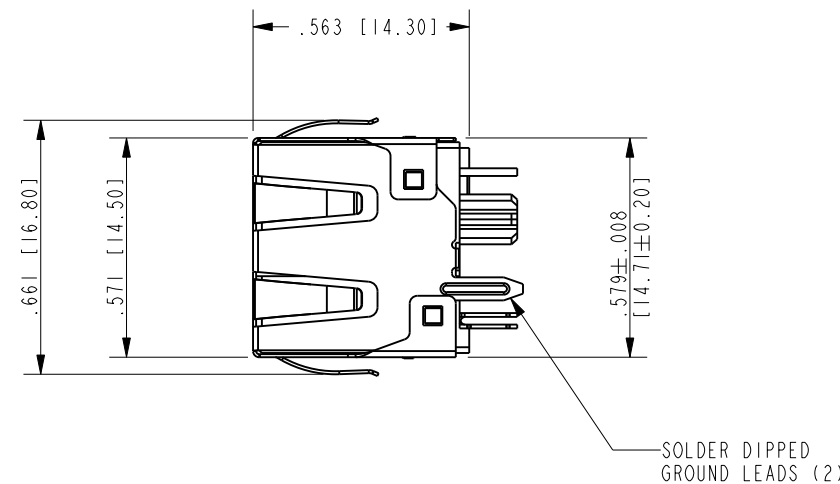
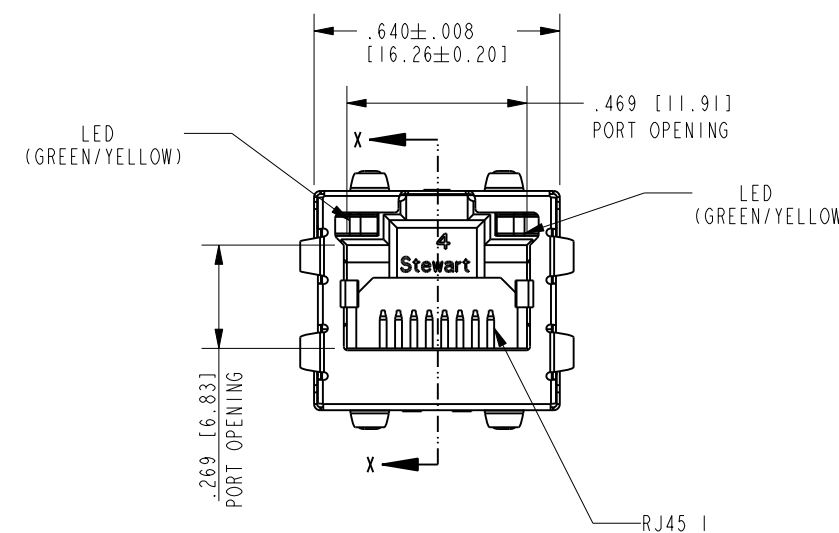


LED SPECIFICATIONS			
BI-COLOR LED	FORWARD VOLTAGE (MAX)	*FORWARD VOLTAGE (TYP)	WAVELENGTH
GREEN/YELLOW	GREEN	2.5V	565nm
	YELLOW	2.5V	590nm

*WITH A FORWARD CURRENT OF 20mA (TYP)

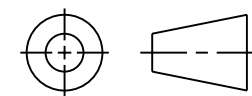
NOTES:

- CONNECTOR MATERIALS:
HOUSING: THERMOPLASTIC UL94 V-0, HALOGEN FREE
CONTACTS: COPPER ALLOY
SHIELD: NICKEL PLATED BRASS
CONTACT PLATING: SELECTIVE GOLD IN CONTACT AREA
SEE CHART FOR PART NUMBER
- DESIGNED FOR 10 GIGABIT APPLICATIONS.
- DIMENSIONS AND TOLERANCES COMPLY WITH TIA-1066 STANDARD.
- DIELECTRIC WITHSTANDING VOLTAGE CONTACT TO SHIELD) : 2250VDC
- HIGH TEMPERATURE PLASTIC: WAVE SOLDER COMPATIBLE TO 260°C.
- FOR PRODUCT SPECIFICATION SEE PR026-01.
- LOGO, PART NUMBER AND DATE CODE LOCATED APPROX. IN THIS AREA.
- FOR PROPER JACK FUNCTION AND PERFORMANCE, TIA-1096 COMPLIANT PLUGS MUST BE USED.



50 MICRO-INCHES [1.27um]	SS-60300-102
CONTACT PLATING IN MATING AREA	PART NUMBER

THIRD ANGLE PROJECTION



11118 Susquehanna Trail South
Glen Rock, PA 17327-9199
(717) 235-7512
<http://www.stewartconnector.com>

DO NOT SCALE DRAWING
DRAWING IS SUBJECT TO CHANGE WITHOUT NOTICE

TITLE: 10 GIGABIT, VERTICAL SHIELDED GREEN/YELLOW LED JACK WITH PANEL GROUND SPRINGS

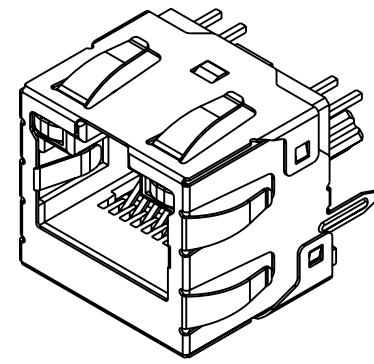
DIMENSIONS: INCHES [METRIC]
UNLESS OTHERWISE SPECIFIED TOLERANCES ARE ±.005 [0.13] ANGLES ARE ±1°

THIS DRAWING AND THE SUBJECT MATTER SHOWN THEREON ARE CONFIDENTIAL AND THE PROPRIETARY PROPERTY OF STEWART CONNECTOR AND SHALL NOT BE REPRODUCED, COPIED, OR USED IN ANY MANNER WITHOUT PRIOR WRITTEN CONSENT OF STEWART CONNECTOR. ONE OR MORE U.S. PATENTS MAY APPLY TO THIS PRODUCT. FOR DETAILS, PLEASE VISIT: [HTTP://BELFUSE.COM/STEWART/STEWART_PATENTS/](http://BELFUSE.COM/STEWART/STEWART_PATENTS/)

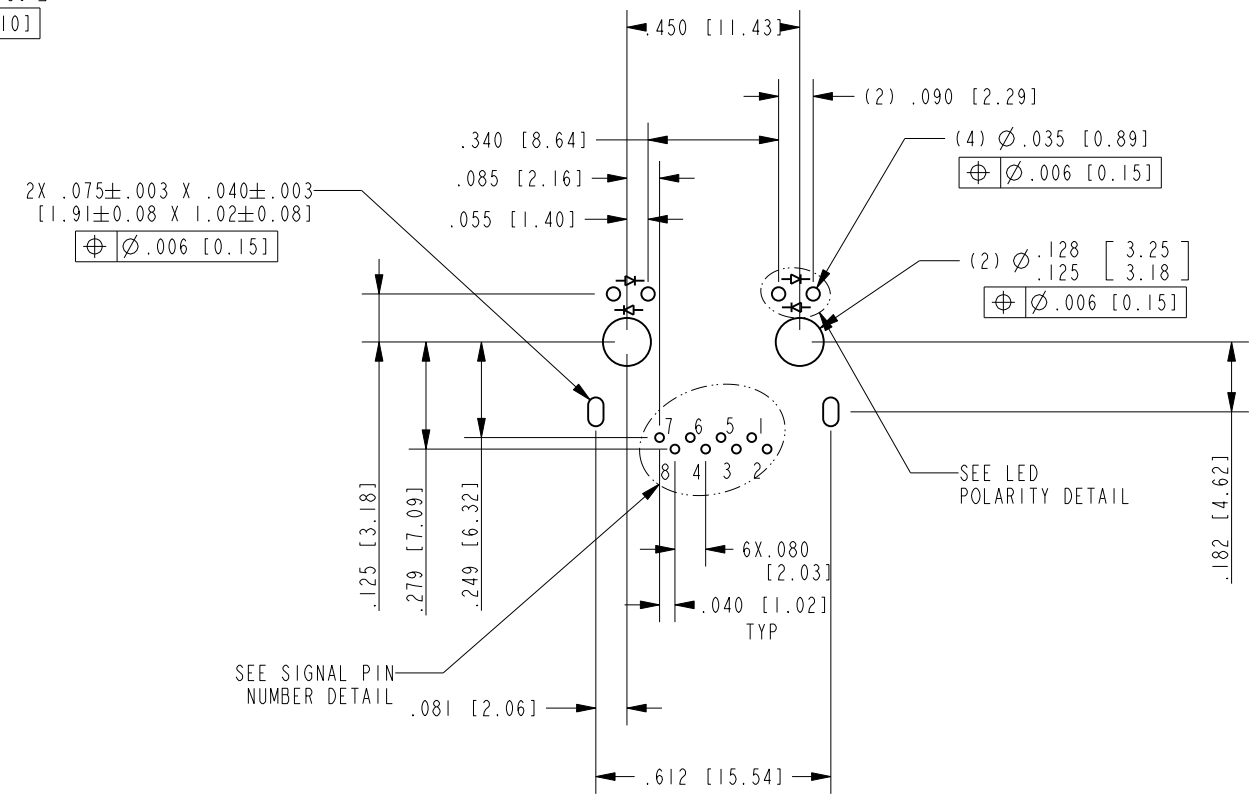
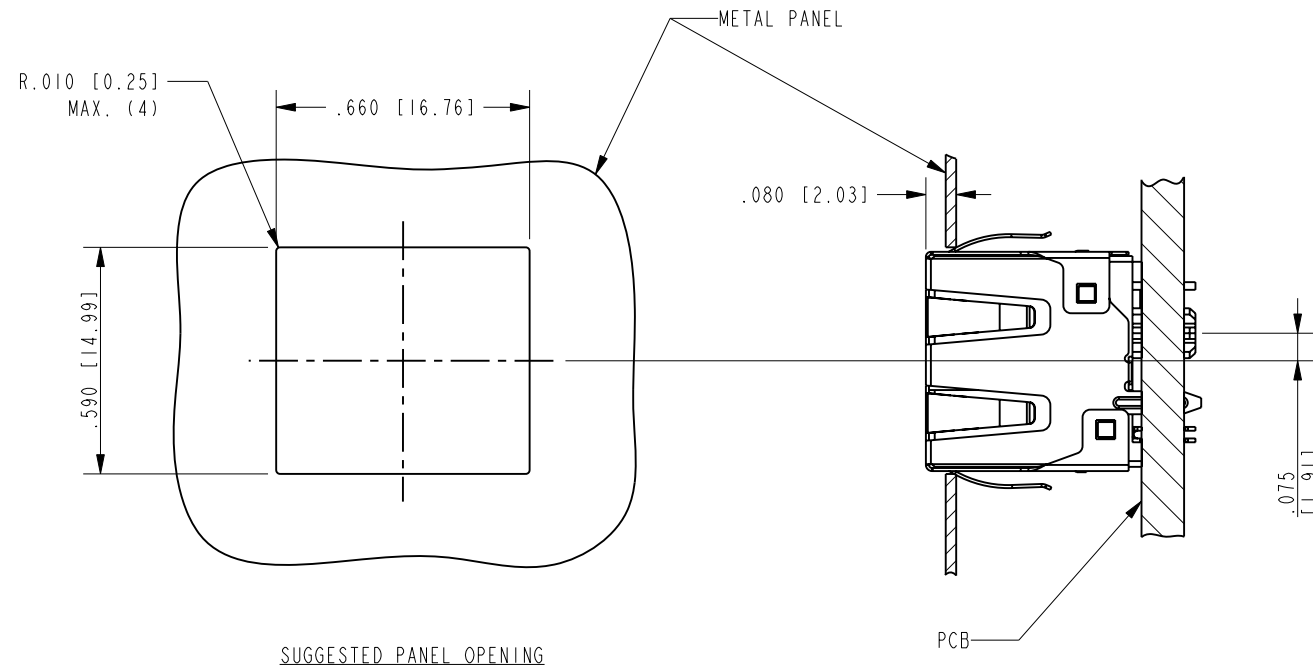
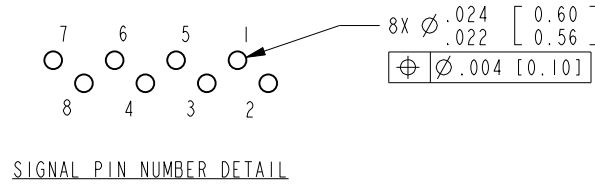
DRN BY: JE	DATE 5-17-19
APPD BY: JMM	DATE 5-20-19
DWG. NO. CT600240	REV. A0

SHEET NO. 1 OF 2

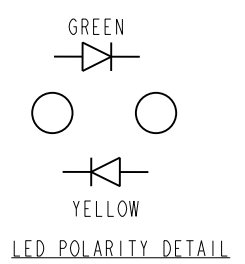




ISOMETRIC VIEW



ALL CENTERLINE DIMENSIONS ARE BASIC.



NOTES:

- THE SUGGESTED PANEL OPENING IS INTENDED TO GIVE THE USER THE ABILITY TO HAVE REASONABLE JACK/PANEL CLEARANCES, YET MAINTAIN GROUNING CAPABILITY. THESE VARIABLES CAN BE ADJUSTED IN EITHER DIRECTION BUT MAY CARRY SOME CONSEQUENCES IN THE FORM OF LOWER MATING FORCES OR TIGHTER ASSEMBLY TOLERANCES.



THIRD ANGLE PROJECTION		11118 Susquehanna Trail South Glen Rock, PA 17327-9199 (717) 235-7512 http://www.stewartconnector.com	
DO NOT SCALE DRAWING DRAWING IS SUBJECT TO CHANGE WITHOUT NOTICE		TITLE: 10 GIGABIT, VERTICAL SHIELDED GREEN/YELLOW LED JACK WITH PANEL GROUND SPRINGS	
DIMENSIONS: INCHES [METRIC]	THIS DRAWING AND THE SUBJECT MATTER SHOWN THEREON ARE CONFIDENTIAL AND THE PROPRIETARY PROPERTY OF STEWART CONNECTOR AND SHALL NOT BE REPRODUCED, COPIED, OR USED IN ANY MANNER WITHOUT PRIOR WRITTEN CONSENT OF STEWART CONNECTOR. ONE OR MORE U.S. PATENTS MAY APPLY TO THIS PRODUCT. FOR DETAILS, PLEASE VISIT: HTTP://BELFUSE.COM/STEWART/STEWART_PATENTS/	DRN BY: JE	DATE 5-17-19
UNLESS OTHERWISE SPECIFIED TOLERANCES ARE ±.005 [0.13] ANGLES ARE ±1°		APPD BY: JMM	DATE 5-20-19
SHEET NO. 2 OF 2		DWG. NO. CT600240	REV. A0