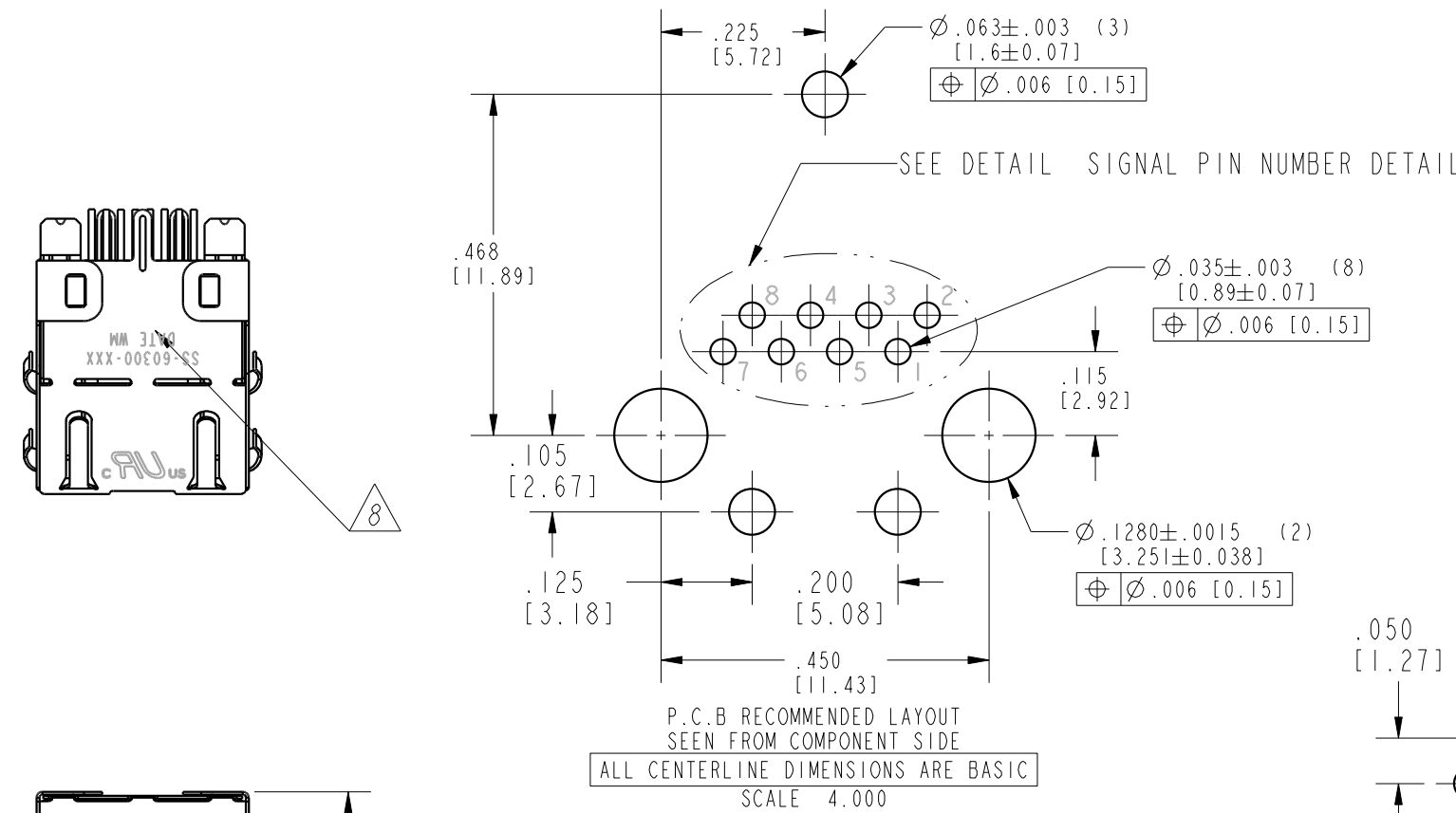


DATE	REV.	ECN	APP'D BY
2-17-15	A5	10261	ADB
2-10-16	A6	10535	TRM

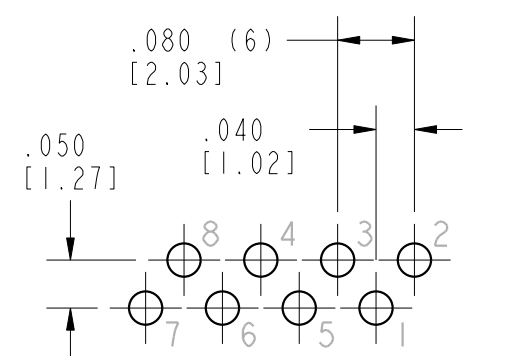


POSITIONS	1 TO 3	3 TO 5	3 TO 7	2 TO 6	4 TO 6	6 TO 8
CAPACITANCE ± 80 FEMTOFARADS	570	1303	333	325	1330	585

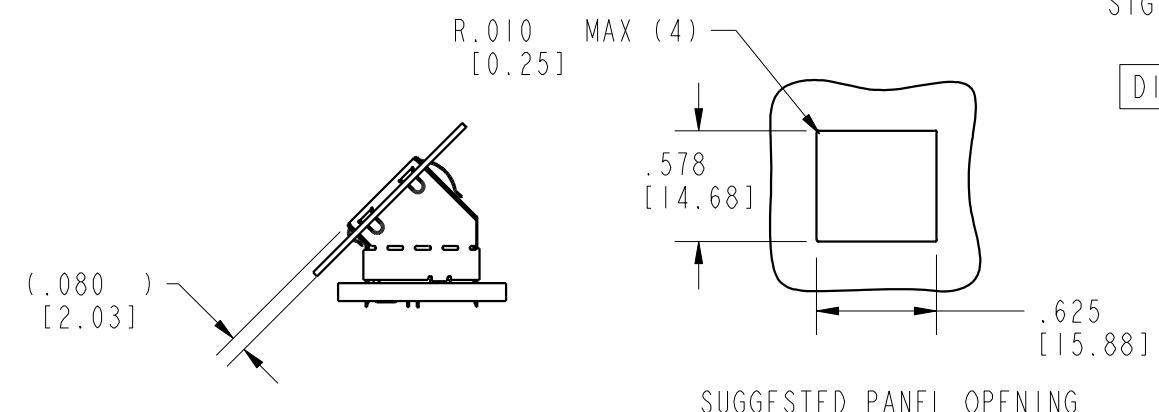
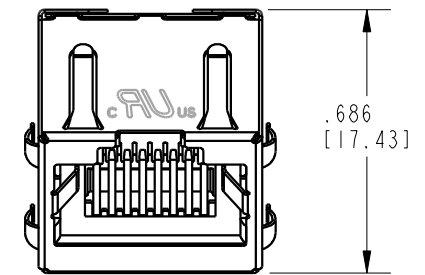
CAPACITANCE CHARACTERISTICS OF ASSEMBLED CONNECTOR

NOTES:

- CONNECTOR MATERIALS:
HOUSING: THERMOPLASTIC UL94 V-0
CONTACTS/SHIELD: COPPER ALLOY
SHIELD PLATING: NICKEL OR TIN
CONTACT PLATING: SELECTIVE GOLD IN CONTACT AREA
SEE CHART FOR PART NUMBER
- DESIGNED FOR CATEGORY 6A APPLICATIONS.
- DIMENSIONS AND TOLERANCES COMPLY WITH TIA-1096 STANDARD.
- THE SUGGESTED PANEL OPENING IS INTENDED TO GIVE USER THE ABILITY TO HAVE REASONABLE JACK/PANEL CLEARANCES, YET MAINTAIN GROUNDING CAPABILITY. THESE VARIABLES CAN BE ADJUSTED IN EITHER DIRECTION BUT MAY RESULT IN LOWER MATING FORCES OR TIGHTER ASSEMBLY TOLERANCES.
- DIELECTRIC WITHSTANDING VOLTAGE (CONTACT TO SHIELD): 2250 VDC
- HIGH TEMPERATURE PLASTIC: WAVE SOLDER COMPATIBLE TO 260°C.
- FOR PRODUCT SPECIFICATION SEE PR033-01.
- LOGO, PART NUMBER AND DATE CODE LOCATED APROX. IN THIS AREA.
- FOR PROPER JACK FUNCTION AND PERFORMANCE, TIA-1096 COMPLIANT PLUGS MUST BE USED.

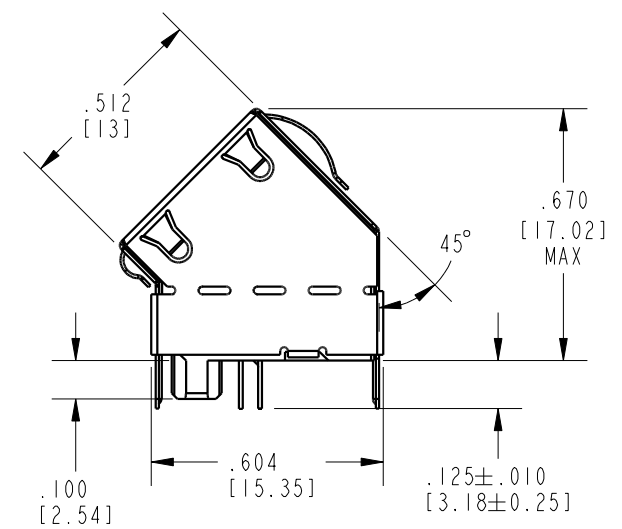
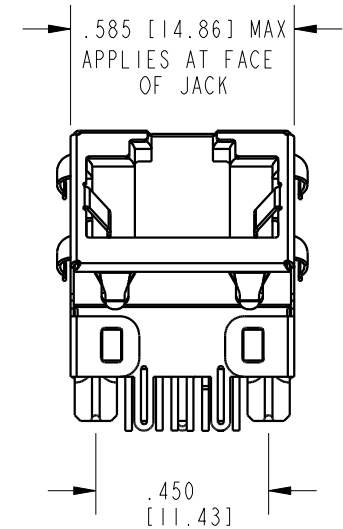


SIGNAL PIN NUMBER DETAIL
ALL CENTERLINE DIMENSIONS ARE BASIC
SCALE 5.000



SUGGESTED PANEL OPENING

50 MICRO-INCHES [1.27um]	SS-60300-023
CONTACT PLATING IN MATING AREA	PART NUMBER



THIRD ANGLE PROJECTION
DO NOT SCALE DRAWING
DRAWING IS SUBJECT TO CHANGE WITHOUT NOTICE
DIMENSIONS: INCHES [METRIC]
UNLESS OTHERWISE SPECIFIED TOLERANCES ARE ±.005 [0.13] ANGLES ARE ±1°
SHEET NO. 1 OF 1

11118 Susquehanna Trail South
Glen Rock, PA 17327-9199
(717) 235-7512
<http://www.stewartconnector.com>

CAT 6A, 45° ANGLE JACK, SHIELDED, PG4

DRN BY: SAW	DATE 3-6-09
APPD BY: DHG	DATE 3-6-09
DWG. NO. CT600084	REV. A6

