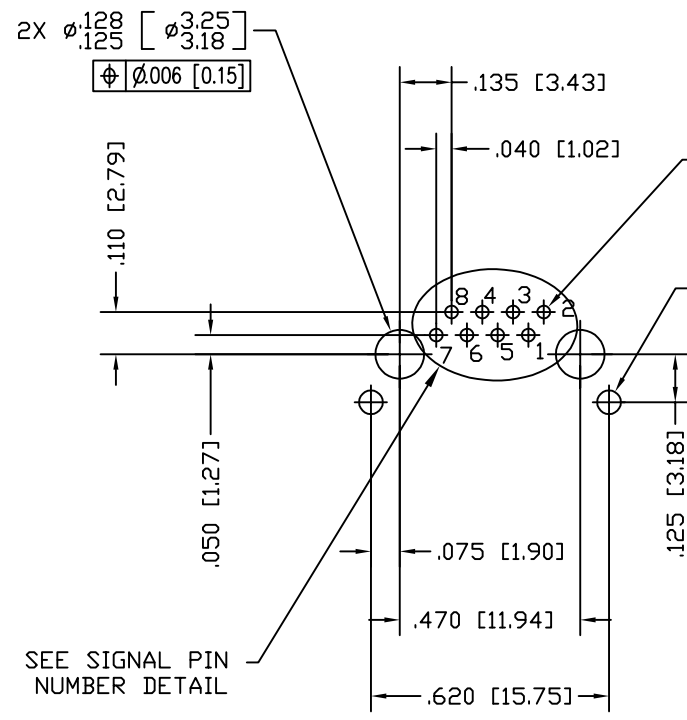
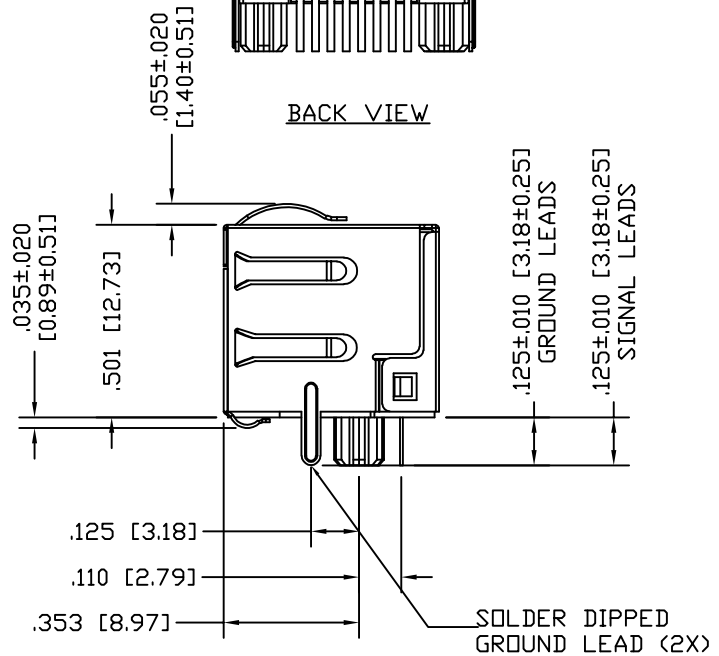
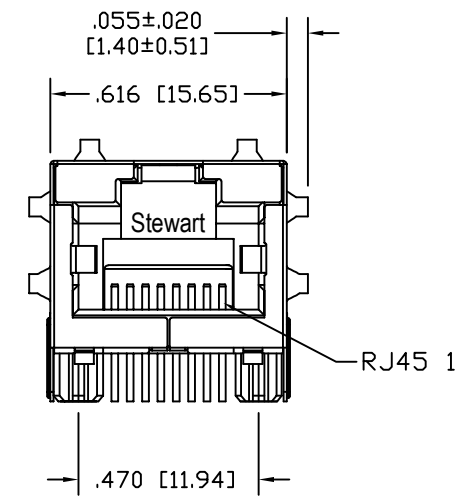
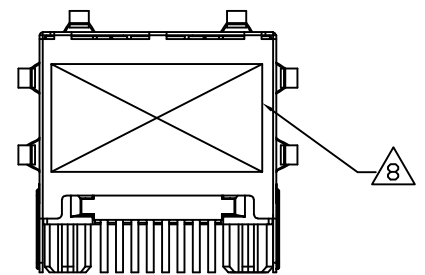
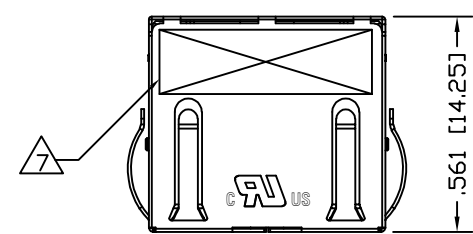


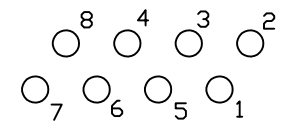
| DATE    | REV | ECN   | APP'D. BY |
|---------|-----|-------|-----------|
| 11-9-16 | A6  | 10817 | TRM       |
| 8-28-17 | A7  | 11077 | TRM       |
|         |     |       |           |
|         |     |       |           |



- 8X  $\phi 0.035 \pm 0.003$  [ $\phi 0.89 \pm 0.08$ ]  
 $\phi 0.006$  [0.15]
- 2X  $\phi 0.063 \pm 0.003$  [ $\phi 1.60 \pm 0.08$ ]  
 $\phi 0.006$  [0.15]

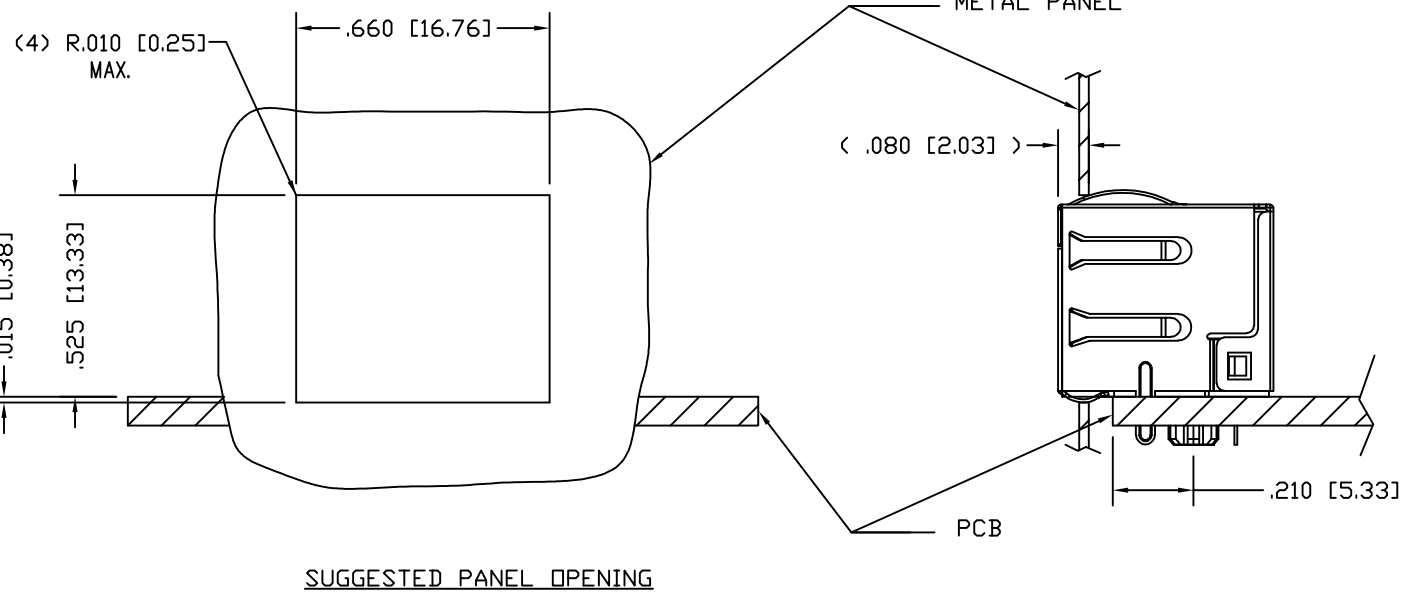
- NOTES:
- CONNECTOR MATERIALS:  
HOUSING: THERMOPLASTIC UL94 V-0  
CONTACTS/SHIELD: COPPER ALLOY  
SHIELD PLATING: NICKEL OR TIN  
CONTACT PLATING: SELECTIVE GOLD IN CONTACT AREA  
SEE CHART FOR PART NUMBER
  - DIMENSIONS AND TOLERANCES COMPLY WITH TIA-1096 STANDARD.
  - THE SUGGESTED PANEL OPENING IS INTENDED TO GIVE USER THE ABILITY TO HAVE REASONABLE JACK/PANEL CLEARANCES, YET MAINTAIN GROUNDING CAPABILITY. THESE VARIABLES CAN BE ADJUSTED IN EITHER DIRECTION BUT MAY CARRY SOME CONSEQUENCES IN THE FORM OF LOWER MATING FORCES OR TIGHTER ASSEMBLY TOLERANCES.
  - DIELECTRIC WITHSTANDING VOLTAGE ( CONTACT TO SHIELD ) : 2250VDC
  - HIGH TEMPERATURE PLASTIC; IR REFLOW COMPATIBLE FOR 260°C
  - FOR PRODUCT SPECIFICATION SEE PR026-01
  - LOGO, PART NUMBER AND DATE CODE LOCATED APPROX. IN THIS AREA.
  - FOR PROPER JACK FUNCTION AND PERFORMANCE, TIA-1096 COMPLIANT PLUGS MUST BE USED.

P.C.B. RECOMMENDED HOLE LAYOUT  
SEEN FROM COMPONENT SIDE  
ALL CENTERLINE DIMENSIONS ARE BASIC.



SIGNAL PIN NUMBER DETAIL

|                                   |              |
|-----------------------------------|--------------|
| 50 MICRO-INCHES [1.27um]          | SS-60300-011 |
| CONTACT PLATING<br>IN MATING AREA | PART NUMBER  |



|   |  |   |                |
|---|--|---|----------------|
| THIRD ANGLE PROJECTION  |  | 1118 Susquehanna Trail South<br>Glen Rock, PA 17327-9199<br>(717) 235-7512<br><a href="http://www.stewartconnector.com">http://www.stewartconnector.com</a> |                |
| DO NOT SCALE DRAWING<br>DRAWING IS SUBJECT TO<br>CHANGE WITHOUT NOTICE                      |  | TITLE: 10G, 5G, 2.5G, LOW PROFILE, TAB UP, HORIZONTAL SHIELDED<br>JACK WITH PANEL GROUNDS, NO COMPENSATION  |                |
| DIMENSIONS: INCHES [METRIC]   | THIS DRAWING AND THE SUBJECT MATTER SHOWN THEREON<br>ARE CONFIDENTIAL AND THE PROPRIETARY PROPERTY OF<br>STEWART CONNECTOR AND SHALL NOT BE REPRODUCED,<br>COPIED, OR USED IN ANY MANNER WITHOUT PRIOR WRITTEN<br>CONSENT OF STEWART CONNECTOR. ONE OR MORE U.S. PATENTS<br>MAY APPLY TO THIS PRODUCT. FOR DETAILS, PLEASE<br>VISIT: <a href="http://BELFUSE.COM/STEWART/STEWART_PATENTS/">HTTP://BELFUSE.COM/STEWART/STEWART_PATENTS/</a> | DRN BY: DHG   | DATE: 01-24-07 |
| UNLESS OTHERWISE SPECIFIED<br>TOLERANCES ARE $\pm 0.005$ [0.13]<br>ANGLES ARE $\pm 1^\circ$ |  | APPD BY: TRM  | DATE: 01-25-07 |
| SHEET NO. 1 OF 1  |  | DWG NO. CT600050  | REV. A7        |



B

B

A

A