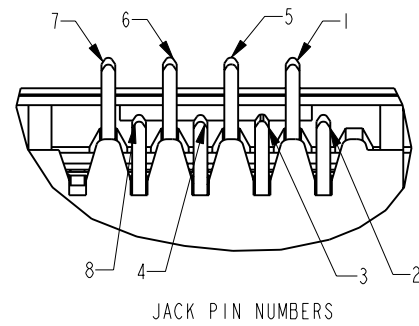
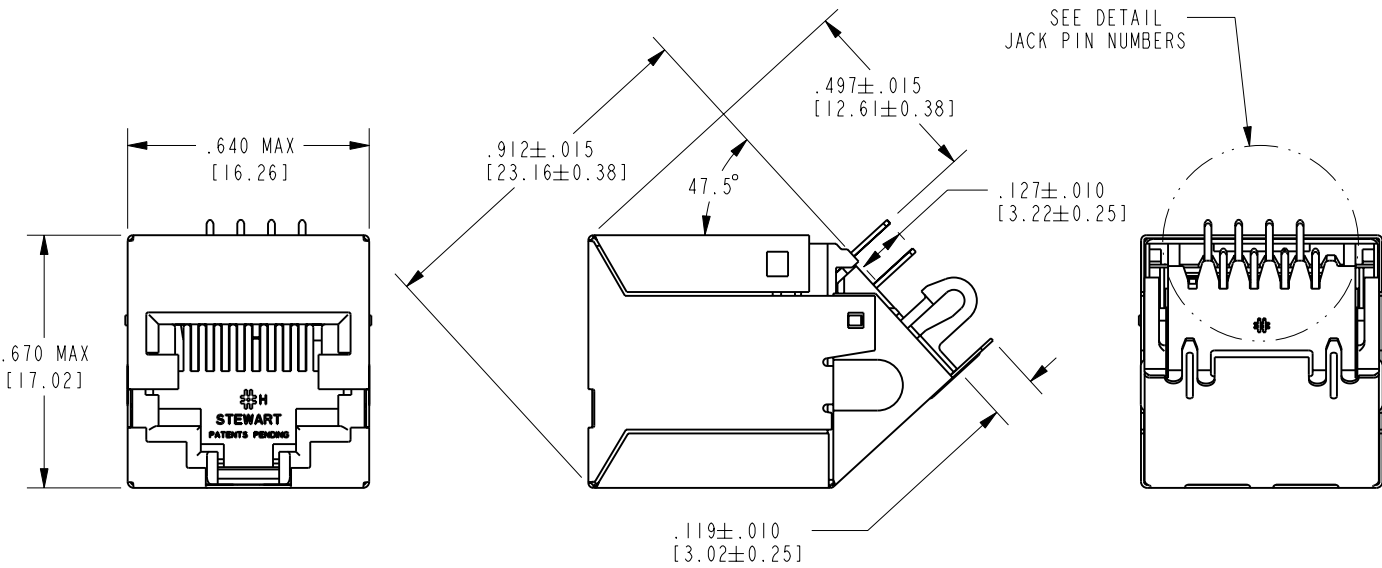


DATE	REV.	ECN	APP'D BY
4-12-18	C5	11225	SMN
6-13-18	C6	11258	TRM



JACK PIN NUMBERS



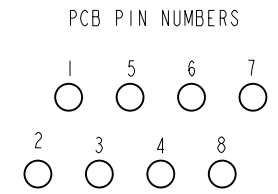
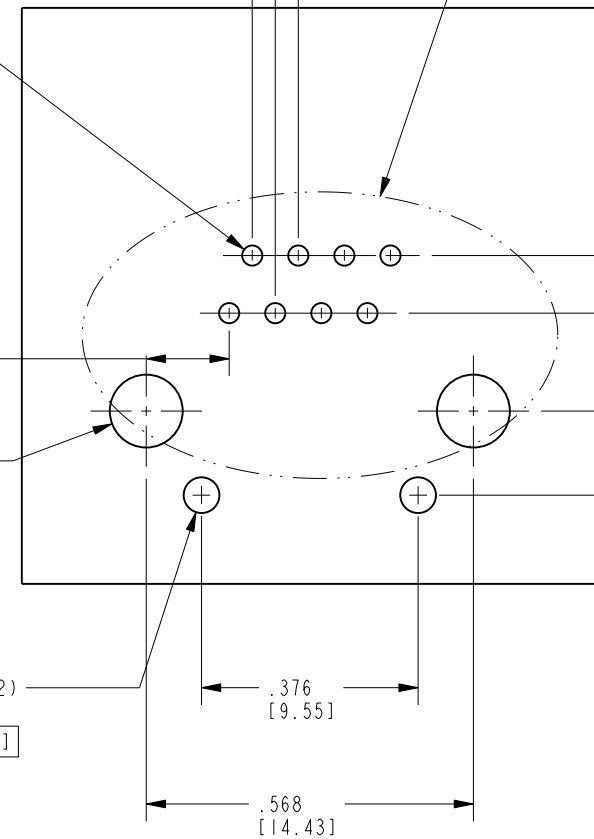
SEE DETAIL JACK PIN NUMBERS

∅.035 (8)
[0.89]
⊕ ∅.006 [0.15]

∅.125-.128 (2)
[3.18-3.25]
⊕ ∅.006 [0.15]

∅.062 (2)
[1.57]
⊕ ∅.006 [0.15]

.080 TYP [2.03]
.040 TYP [1.02]
SEE DETAIL PCB PIN NUMBERS

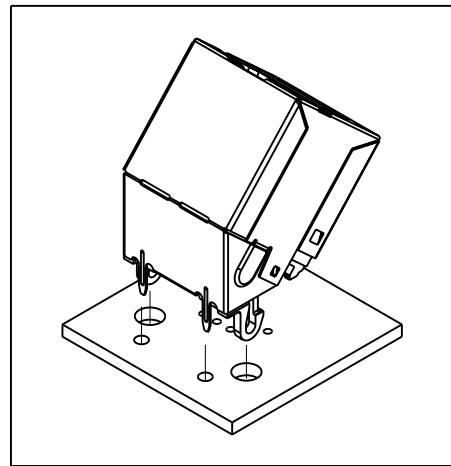


PCB RECOMMENDED HOLE LAYOUT
SEEN FROM COMPONENT SIDE, .062 [1.57] BOARD THICKNESS

ALL CENTERLINE DIMENSIONS ARE BASIC

- NOTES:
- CONNECTOR MATERIALS:
HOUSING: THERMOPLASTIC UL94 V-0
CONTACTS/SHIELD: COPPER ALLOY
SHIELD PLATING: NICKEL
CONTACT PLATING: SELECTIVE PLATING IN CONTACT AREA
SEE CHART FOR DETAILS.
 - PRODUCT DESIGNED FOR CATEGORY 6 APPLICATIONS
 - DIMENSIONS AND TOLERANCES COMPLY WITH TIA-1096 STANDARD.
 - REFERENCE PRODUCT SPECIFICATION PR026-01

50 MICRO-INCHES [1.27um] Au OR 5 MICRO-INCHES [0.13um] Au OVER 30 MICRO-INCHES [0.76um] PdNi	SS-60000-011
CONTACT PLATING IN MATING AREA	PART NUMBER



THIRD ANGLE PROJECTION
DO NOT SCALE DRAWING
DRAWING IS SUBJECT TO CHANGE WITHOUT NOTICE
DIMENSIONS: INCHES [METRIC]
UNLESS OTHERWISE SPECIFIED TOLERANCES ARE ±.005 [0.13] ANGLES ARE ±1°
SHEET NO. 1 OF 1



11118 Susquehanna Trail South
Glen Rock, PA 17327-9199
(717) 235-7512
<http://www.stewartconnector.com>

47.5° CATEGORY 6 SHIELDED JACK

DRN BY: JRC	DATE: 12-05-02
APPD BY: DHG	DATE: 12-19-02
DWG. NO. CT600014	REV. C6

THIS DRAWING AND THE SUBJECT MATTER SHOWN THEREON ARE CONFIDENTIAL AND THE PROPRIETARY PROPERTY OF STEWART CONNECTOR AND SHALL NOT BE REPRODUCED, COPIED, OR USED IN ANY MANNER WITHOUT PRIOR WRITTEN CONSENT OF STEWART CONNECTOR. ONE OR MORE U.S. PATENTS MAY APPLY TO THIS PRODUCT. FOR DETAILS, PLEASE VISIT: [HTTP://BELFUSE.COM/STEWART/STEWART_PATENTS/](http://BELFUSE.COM/STEWART/STEWART_PATENTS/)