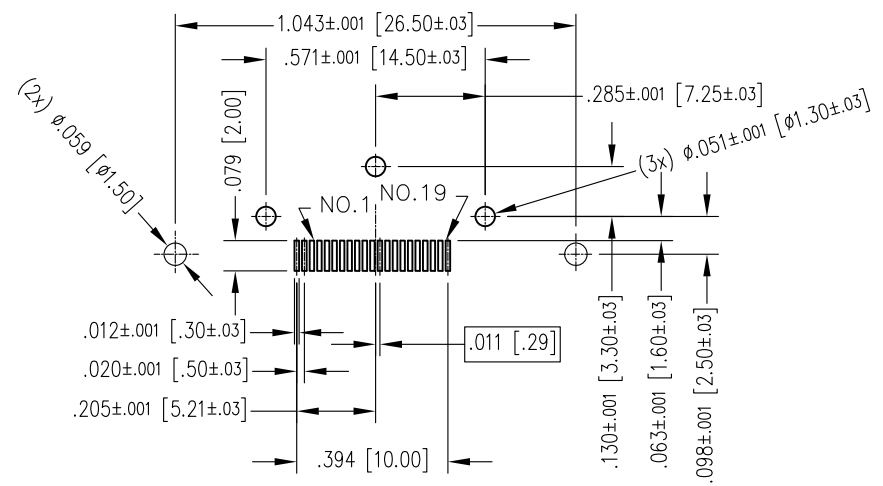
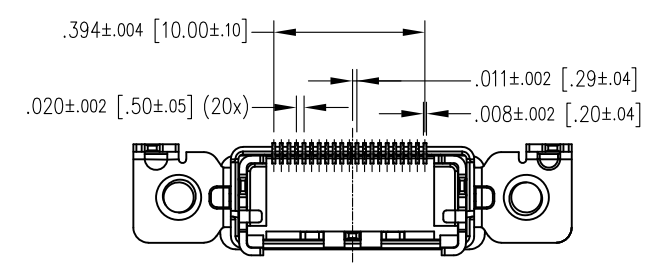
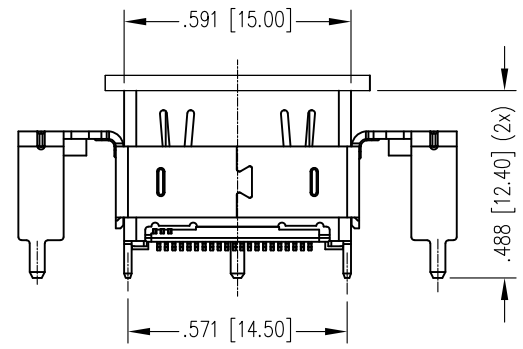
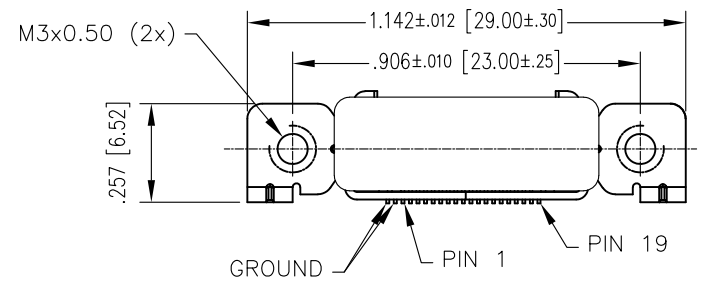
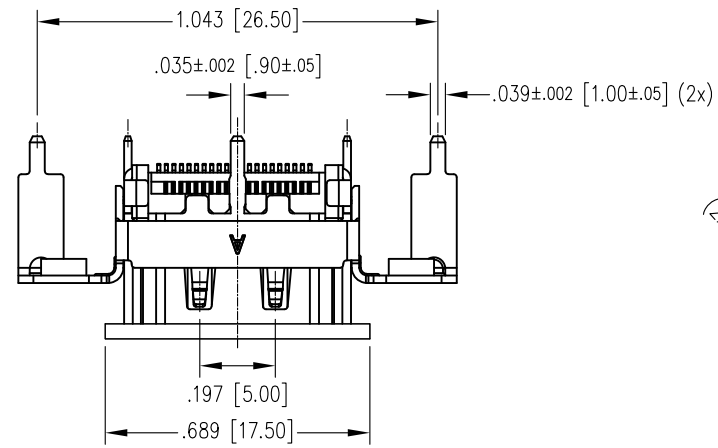
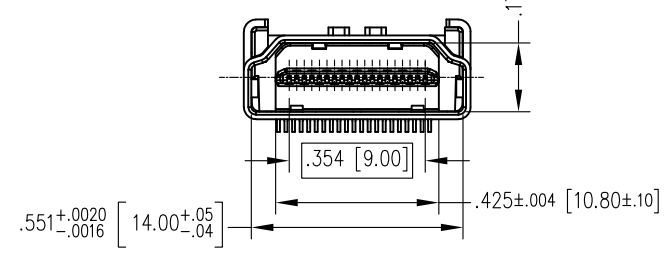
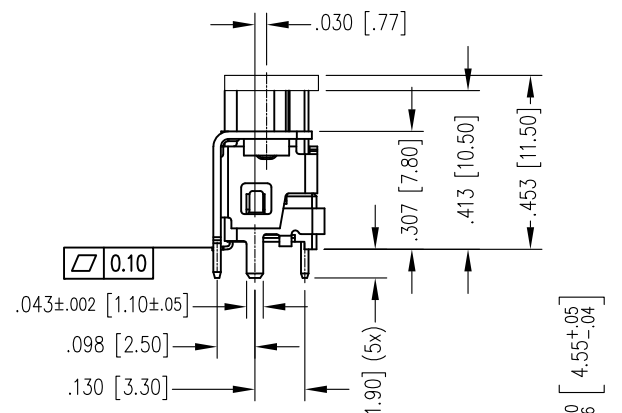


DATE	REV	ECN	APP'D. BY
5-16-19	A0	-	-



RECOMMENDED PCB LAYOUT  
TOP VIEW (THICKNESS=.063 [1.60])  
GENERAL TOLERANCE ±.002 [.05]



WITHOUT CAP & FLANGE

- NOTES:
- MATERIAL:  
HOUSING AND BRACKET: HIGH TEMP.THERMOPLASTIC, UL 94V-0  
COLOR: BLACK.  
CONTACT: COPPER ALLOY, THICKNESS =0.20MM  
SHIELD: SPCC, THICKNESS=0.50MM
  - FINISH:  
CONTACT: GOLD PLATING ON CONTACT AREA  
80u" MIN ,MATTE TIN PLATED ON SOLDER TAILS  
50u" MIN. NICKEL UNDER PLATED OVER ALL  
SHIELD: 50u" MIN. NICKEL PLATED OVER ALL
  - MECHANICAL CHARACTERISTICS  
INSERTION FORCE: 44.1N MAX  
EXTRACTION FORCE: 9.8N MIN, 39.2N MAX  
MATING CYCLE:10000 CYCLES
  - ELECTRICAL CHARACTERISTICS  
CURRENT RATING: 0.5A  
VOLTAGE RATING: 40V  
CONTACT RESISTANCE: 10 MILLOHMS OHMS MAX  
(EXCLUDING CONDUCTOR RESISTANCE)  
INSULATION RESISTANCE:  
a, UNMATED: 100M OHMS MIN AT 500 VDC  
b, MATED: 10M OHMS MIN AT 150 VDC  
DIELECTRIC WITHSTANDING VOLTAGE: 300V AC/1MINUTE  
OPERATING TEMPERATURE: -20°C--+85°C  
STORAGE TEMPERATURE: -20°C--+65°C
  - PACKAGING  
42 PARTS PER TRAY  
1260 PARTS PER CARTON  
TRAY DIMENSIONS: 12.6x5.5x0.5 [320x140x13]

30 MICRO-INCHES [0.76um]	SS-53000-003
CONTACT PLATING IN MATING AREA	PART NUMBER

THIRD ANGLE PROJECTION		1118 Susquehanna Trail South Glen Rock, PA 17327-9199 (717) 235-7512 <a href="http://www.stewartconnector.com">http://www.stewartconnector.com</a>	
DO NOT SCALE DRAWING DRAWING IS SUBJECT TO CHANGE WITHOUT NOTICE		TITLE: HDMI JACK VERTICAL	
DIMENSIONS: INCHES [METRIC]	THIS DRAWING AND THE SUBJECT MATTER SHOWN THEREON ARE CONFIDENTIAL AND THE PROPRIETARY PROPERTY OF STEWART CONNECTOR AND SHALL NOT BE REPRODUCED, COPIED, OR USED IN ANY MANNER WITHOUT PRIOR WRITTEN CONSENT OF STEWART CONNECTOR. ONE OR MORE U.S. PATENTS MAY APPLY TO THIS PRODUCT. FOR DETAILS, PLEASE VISIT: <a href="http://BELFUSE.COM/STEWART/STEWART_PATENTS/">HTTP://BELFUSE.COM/STEWART/STEWART_PATENTS/</a>	DRN BY: JMM	DATE 4-9-19
UNLESS OTHERWISE SPECIFIED TOLERANCES ARE ±.008 [0.20] ANGLES ARE ± 1°		APPD BY: ADB	DATE 5-16-19
SHEET NO. 1 OF 1		DWG NO. CT530003	REV. A0

