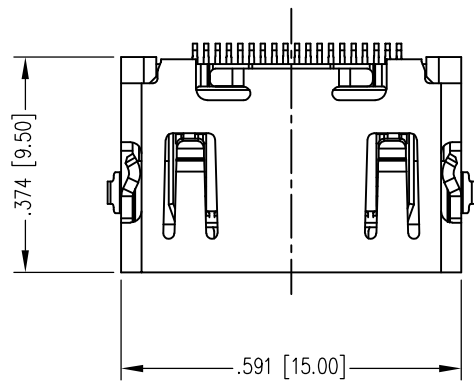
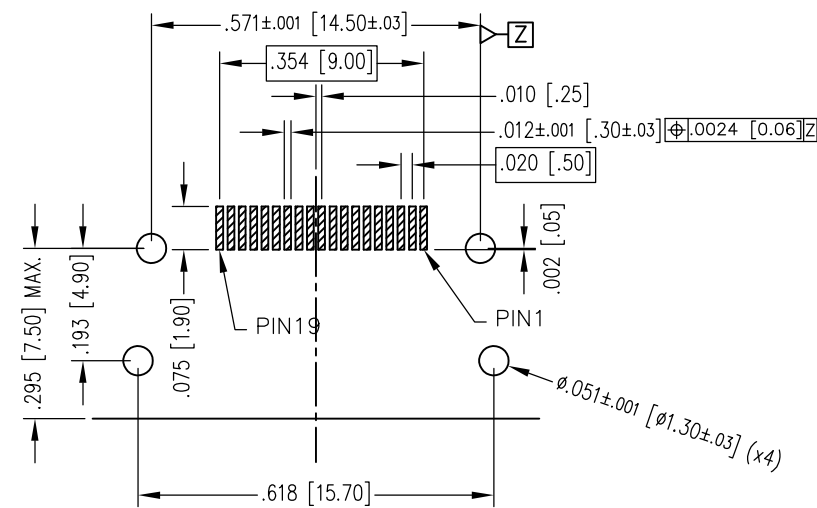
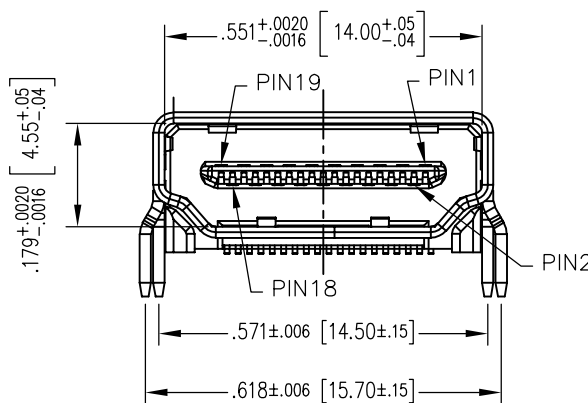
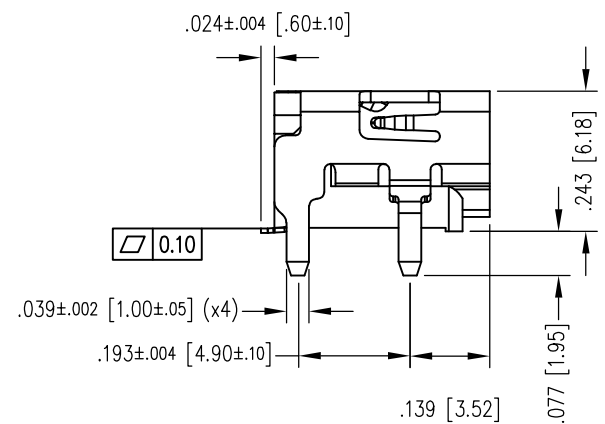


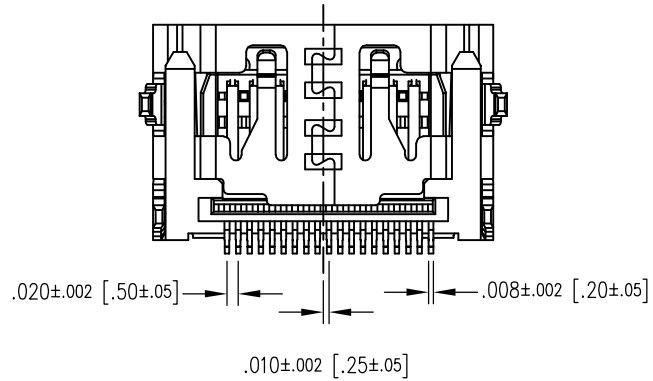
DATE	REV	ECN	APP'D. BY
5-16-19	A0	-	-
8-26-20	A1	11599	BTS



- NOTES:
- MATERIAL:**
HOUSING AND BRACKET: HIGH TEMP.THERMOPLASTIC, UL 94V-0
COLOR: BLACK.
CONTACT: COPPER ALLOY, THICKNESS =0.20MM
SHIELD: SPCC, THICKNESS=0.50MM
 - FINISH:**
CONTACT: 30u" GOLD PLATING ON CONTACT AREA
80u"MIN ,MATTE TIN PLATED ON SOLDER TAILS
50u" MIN. NICKEL UNDER PLATED OVER ALL
SHIELD: 50u" MIN. NICKEL PLATED OVER ALL
 - MECHANICAL CHARACTERISTICS**
INSERTION FORCE: 44.1N MAX
EXTRACTION FORCE: 9.8N MIN, 39.2N MAX
MATING CYCLE: 10000 CYCLES
 - ELECTRICAL CHARACTERISTICS**
CURRENT RATING: 0.5A
VOLTAGE RATING: 40V
CONTACT RESISTANCE: 10 MILLOHMS OHMS MAX
(EXCLUDING CONDUCTOR RESISTANCE)
INSULATION RESISTANCE:
a, UNMATED: 100M OHMS MIN AT 500 VDC
b, MATED: 10M OHMS MIN AT 150 VDC
DIELECTRIC WITHSTANDING VOLTAGE: 300V AC/1MINUTE
OPERATING TEMPERATURE: -20°C--+85°C
STORAGE TEMPERATURE: -20°C--+65°C
 - PACKAGING**
50 PARTS PER TRAY
800 PARTS PER CARTON
TRAY DIMENSIONS: 9.8x6.5x0.6 [250x165x16]



30 MICRO-INCHES [0.76um]	SS-53000-001
CONTACT PLATING IN MATING AREA	PART NUMBER



THIRD ANGLE PROJECTION	 1118 Susquehanna Trail South Glen Rock, PA 17327-9199 (717) 235-7512 http://www.stewartconnector.com
DO NOT SCALE DRAWING DRAWING IS SUBJECT TO CHANGE WITHOUT NOTICE	
DIMENSIONS: INCHES [METRIC]	TITLE: HDMI JACK RIGHT ANGLE WITHOUT FLANGE
UNLESS OTHERWISE SPECIFIED TOLERANCES ARE ±.008 [0.20] ANGLES ARE ± 1°	DRN BY: JMM DATE 4-9-19
SHEET NO. 1 OF 1	APPD BY: ADB DATE 5-16-19
	DWG NO. CT530001 REV. A1



THIS DRAWING AND THE SUBJECT MATTER SHOWN THEREON ARE CONFIDENTIAL AND THE PROPRIETARY PROPERTY OF STEWART CONNECTOR AND SHALL NOT BE REPRODUCED, COPIED, OR USED IN ANY MANNER WITHOUT PRIOR WRITTEN CONSENT OF STEWART CONNECTOR. ONE OR MORE U.S. PATENTS MAY APPLY TO THIS PRODUCT. FOR DETAILS, PLEASE VISIT: [HTTP://BELFUSE.COM/STEWART/STEWART_PATENTS/](http://BELFUSE.COM/STEWART/STEWART_PATENTS/)