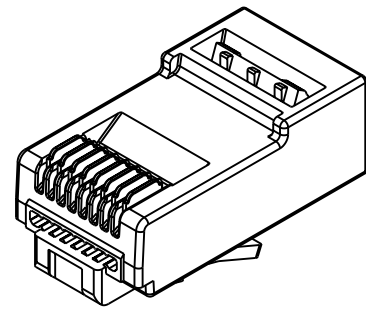
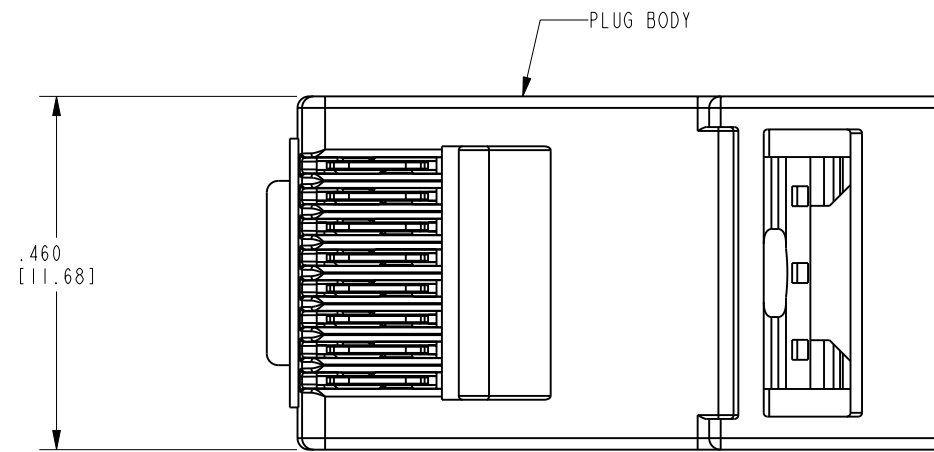


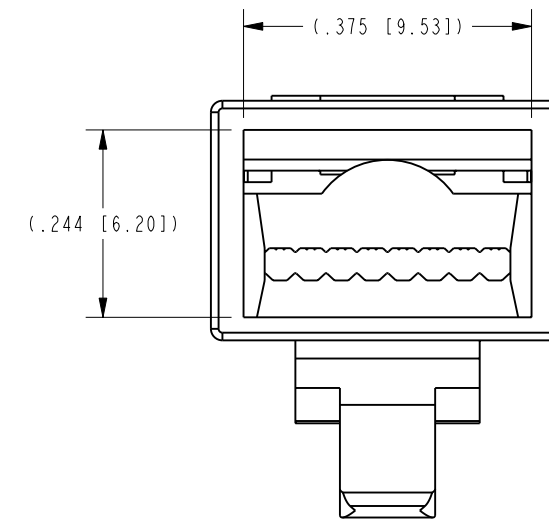
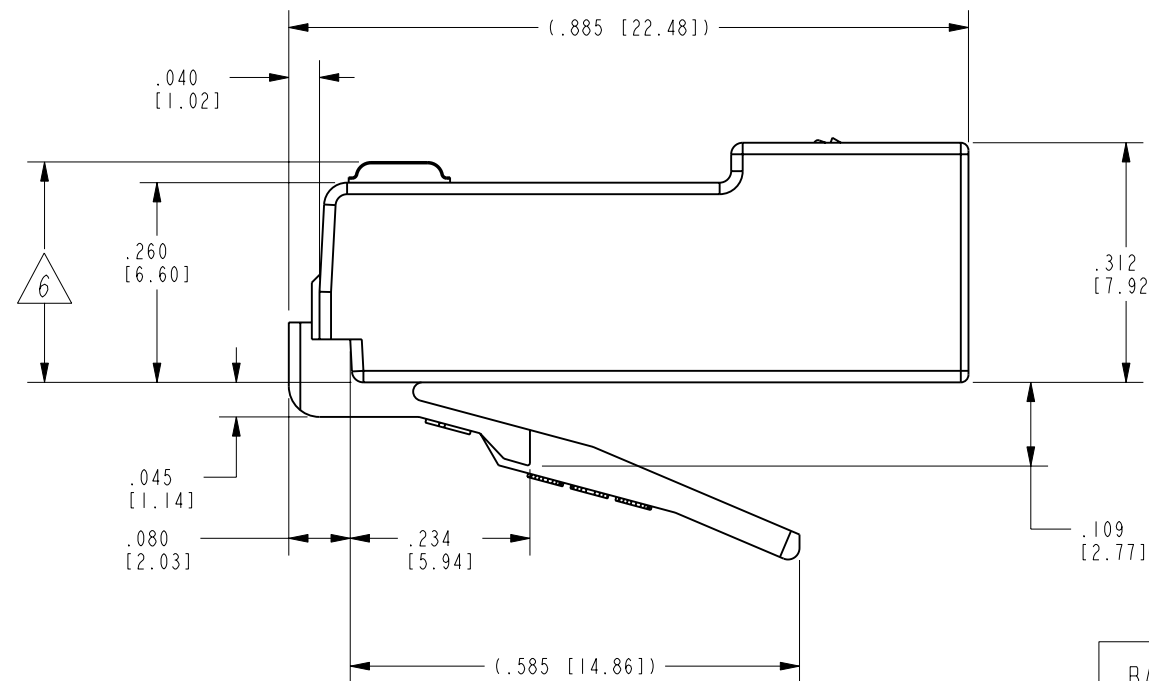
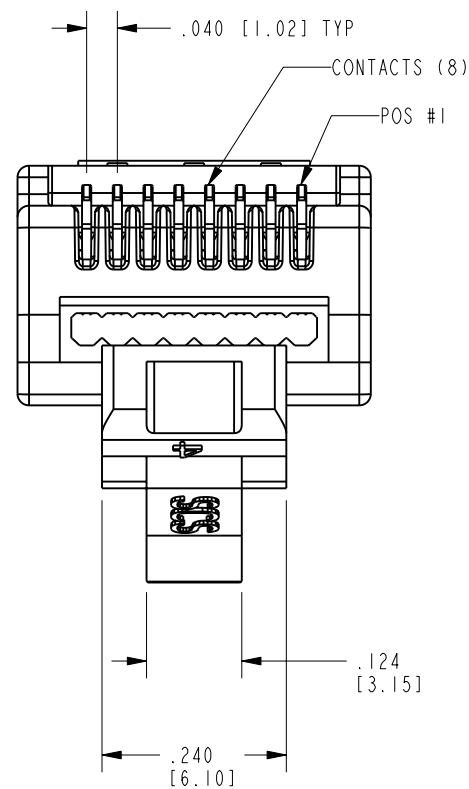
DATE	REV.	ECN	APP'D BY
04/30/2018	A0	-	DHG



PLUG HOUSING
SCALE 2.000

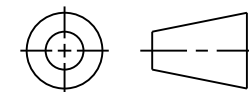


- Notes:
- 1- PLUG KIT CONSISTS OF PRE-INSERTED PLUG BODY
 - 2- MATERIALS:
HOUSING PLASTIC : CLEAR POLYCARBONATE, UL 94-V0
CONTACTS : PHOSPHOR BRONZE, SELECTIVE GOLD PLATING
 - 3- CONTACTS TERMINATE SOLID OR STRANDED CONDUCTORS BETWEEN .037 [0.94] TO .042 [1.07] OUTSIDE DIAMETER OF INSULATION.
 - 4- PLUG SPECIFICATION: FOR CATEGORY 5e, 6 APPLICATIONS.
 - 5- DIMENSIONS AND TOLERANCES COMPLY WITH TIA-1096 STANDARD.
 - 6- TERMINATED PLUG HEIGHT: .237 [6.02] ±.005 [0.13] ON CABLE.
 - 7- FOR PRODUCT SPECIFICATIONS SEE PR026-01



BAG OF 50	50 MICRO-INCHES [1.27um]	SS-39500-001
BAG OF 100	50 MICRO-INCHES [1.27um]	SS-39500-002
PACKAGE	CONTACT PLATING IN MATING AREA	PART NUMBER

THIRD ANGLE PROJECTION



11118 Susquehanna Trail South
Glen Rock, PA 17327-9199
(717) 235-7512
<http://www.stewartconnector.com>

DO NOT SCALE DRAWING
DRAWING IS SUBJECT TO CHANGE WITHOUT NOTICE

TITLE: **8 POSITION /8 CONDUCTOR QWIK RJ45™ UNSHIELDED PLUG ASSEMBLY**

DIMENSIONS: INCHES [METRIC]
UNLESS OTHERWISE SPECIFIED TOLERANCES ARE ±.005 [0.13] ANGLES ARE ±1°

THIS DRAWING AND THE SUBJECT MATTER SHOWN THEREON ARE CONFIDENTIAL AND THE PROPRIETARY PROPERTY OF STEWART CONNECTOR AND SHALL NOT BE REPRODUCED, COPIED, OR USED IN ANY MANNER WITHOUT PRIOR WRITTEN CONSENT OF STEWART CONNECTOR. ONE OR MORE U.S. PATENTS MAY APPLY TO THIS PRODUCT. FOR DETAILS, PLEASE VISIT: [HTTP://BELFUSE.COM/STEWART/STEWART_PATENTS/](http://BELFUSE.COM/STEWART/STEWART_PATENTS/)

DRN BY:	GWL	DATE	12/12/17
APPD BY:	DHG	DATE	12/12/17
DWG. NO.	CT390195	REV.	A0

SHEET NO. 1 OF 1

