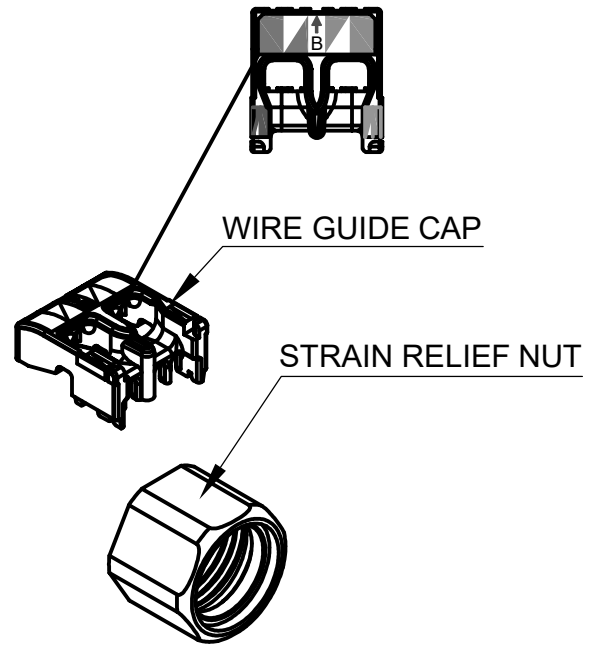
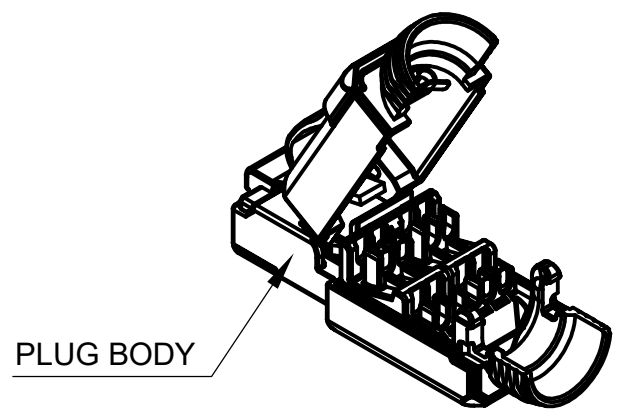
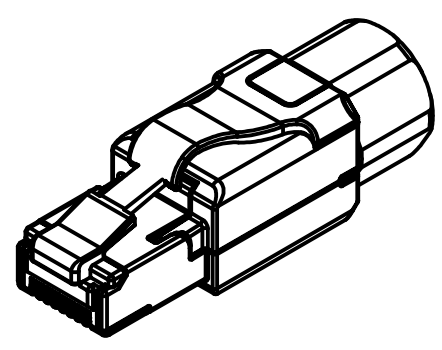


DATE	REV	ECN	APP'D. BY
09/18/18	A0	Released	DG



PLUG BODY

WIRE GUIDE CAP

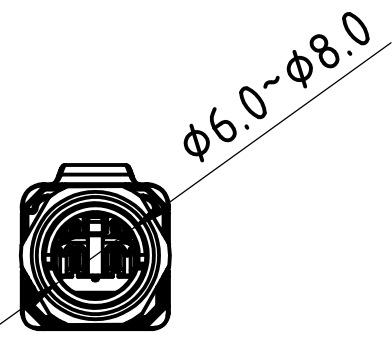
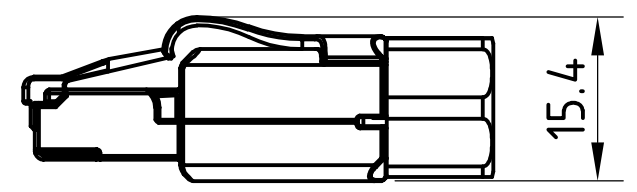
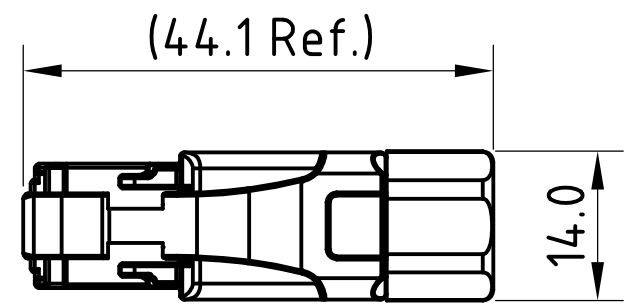
STRAIN RELIEF NUT

TRANSMISSION PERFORMANCE
 Meet all requirements specified in Patch Cord requirement of ANSI/TIA-568-C.2, Category 6

ELECTRICAL
 Electrical Insulation Resistance : 500MΩ min. @100V d.c
 Dielectric Withstanding Voltage : 1000V D.C or A.C Peak,
 Contact to Contact; 1500V D.C or A.C Peak,
 Contact to Shield @ 60Hz for 1 Minute.

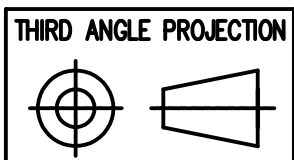
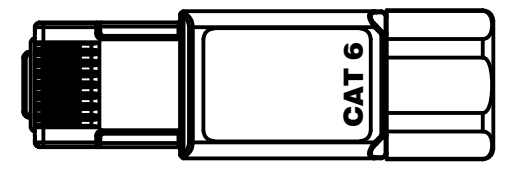
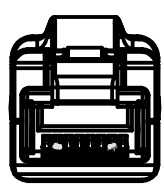
MECHANICAL
 IDC Wire Gauge : 23 ~ 26 AWG

PHYSICAL
 Housing : Zinc-alloy fully shielded
 Contact pin : Phosphor Bronze Alloy Plated With 50 micro-inch of Gold
 IDC : Phosphor Bronze Alloy With 100 micro-inch 100% Sn Alloy



COMPONENTS		
ITEM	PART NAME	Q'TY
1	PLUG BODY	1
2	STRAIN RELIEF NUT	1
3	WIRE GUIDE CAP	1

SS-39300-001
 PART NUMBER



DO NOT SCALE DRAWING
 DRAWING IS SUBJECT TO CHANGE WITHOUT NOTICE

DIMENSIONS: METRIC
 UNLESS OTHERWISE SPECIFIED TOLERANCES ARE ±0.2
 ANGLES ARE ± 1°

SHEET NO. 1 OF 1



11118 Susquehanna Trail South
 Glen Rock, PA 17327-9199
 (717) 235-7512
<http://www.stewartconnector.com>

TITLE: CAT 6 FIELD TERMINATED PLUG

THIS DRAWING AND THE SUBJECT MATTER SHOWN THEREON ARE CONFIDENTIAL AND THE PROPRIETARY PROPERTY OF STEWART CONNECTOR AND SHALL NOT BE REPRODUCED, COPIED, OR USED IN ANY MANNER WITHOUT PRIOR WRITTEN CONSENT OF STEWART CONNECTOR. ONE OR MORE U.S. PATENTS MAY APPLY TO THIS PRODUCT. FOR DETAILS, PLEASE VISIT: [HTTP://BELFUSE.COM/STEWART/STEWART_PATENTS/](http://BELFUSE.COM/STEWART/STEWART_PATENTS/)

DRN BY: JM	DATE 09/13/18
APPD BY: DG	DATE 09/18/18
DWG NO. CT390201	REV. A0

