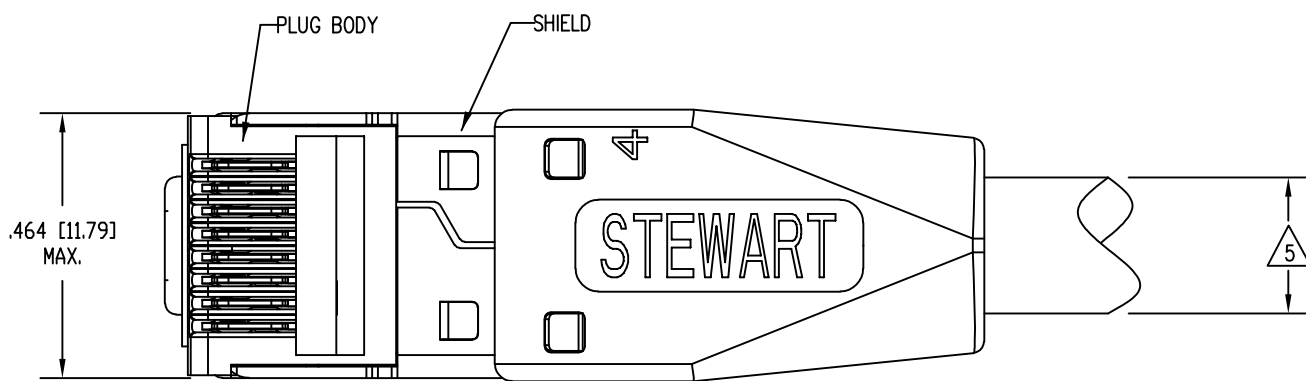
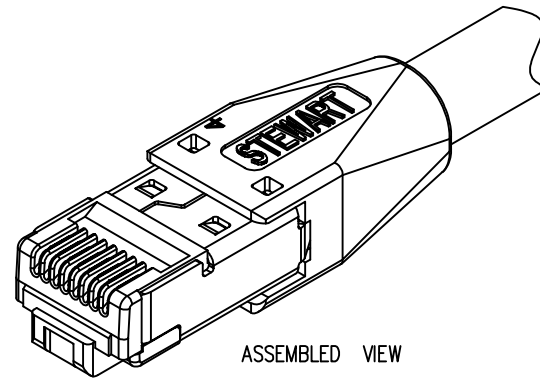


DATE	REV	ECN	APP'D. BY
2-14-19	A0	-	BTS

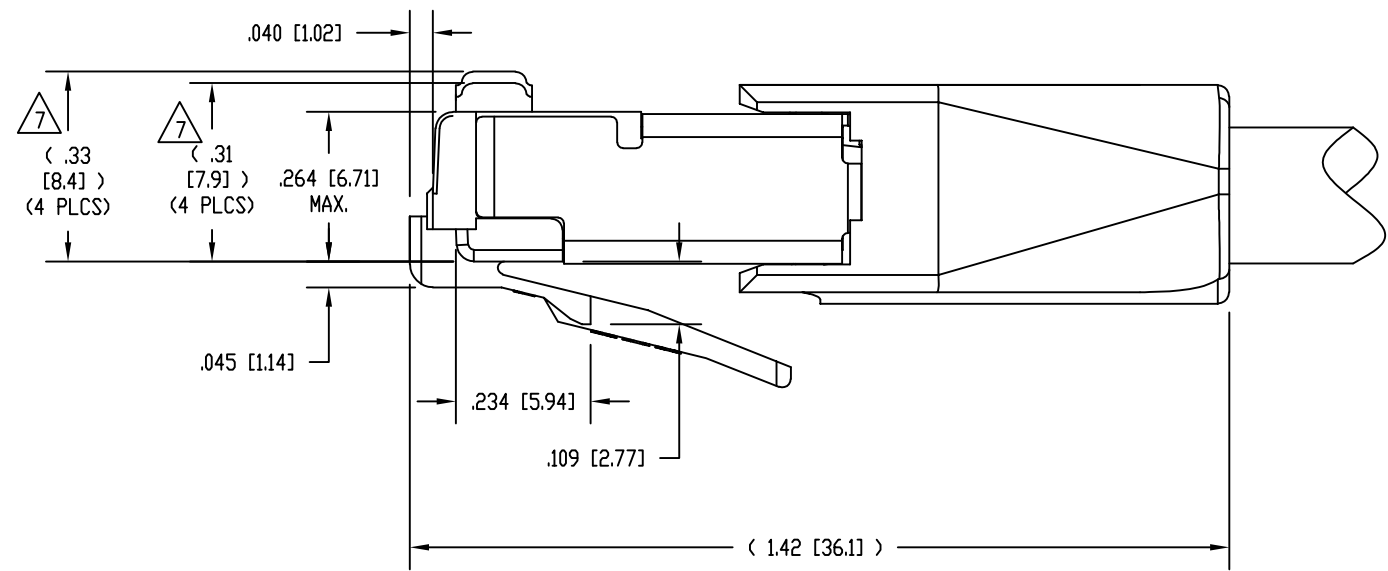
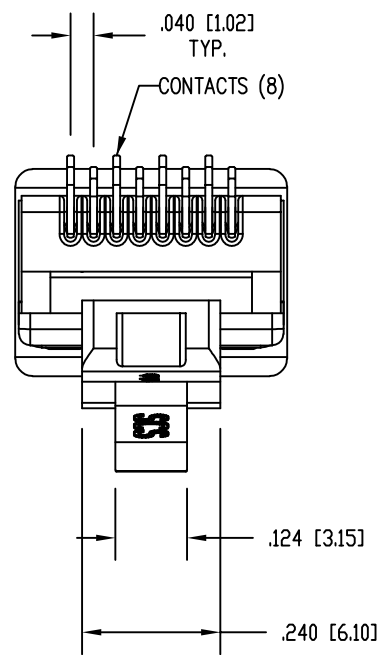


NOTES:

1. PLUG KIT CONSISTS OF:
PRE-INSERTED PLUG BODY WITH SHIELD
LOAD BAR
BOOT
2. MATERIALS:
PLUG BODY AND LOAD BAR: CLEAR POLYCARBONATE, UL 94-V0
BOOT: BLACK POLYCARBONATE, UL 94-V0
CONTACTS: COPPER ALLOY, SELECTIVE GOLD PLATING
SHIELD: COPPER ALLOY, NICKEL PLATE
3. FOR PRODUCT SPECIFICATION SEE PR026-01.
4. CONTACTS TERMINATE SOLID OR STRANDED CONDUCTORS BETWEEN .056 [1.42] TO .062 [1.57] OUTSIDE DIAMETER OF INSULATION.
5. CABLES WITH OUTSIDE NOMINAL DIAMETERS OF .315 [8.00] TO .335 [8.51].
6. DIMENSIONS AND TOLERANCES COMPLY WITH TIA-1096 STANDARD FORMERLY FCC/CFR 47, PART 68.
7. CONTACT HEIGHT BEFORE TERMINATION.
AFTER TERMINATION, THE CONTACT HEIGHT IS .237 [6.02] ±.005 [0.13].
8. PRODUCT DESIGNED FOR CATEGORY 6 AND 6A APPLICATIONS.
9. PLUG KIT CONSISTS OF 1 EACH SHIELDED PLUG BODY, LOAD BAR, WIRE ALIGNER, AND BOOT, PACKED IN ZIPPER BAG.

B

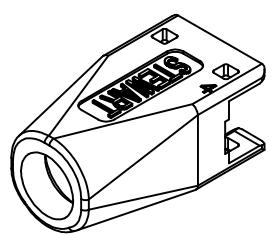
B



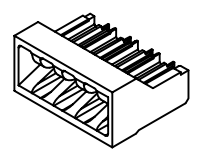
A

A

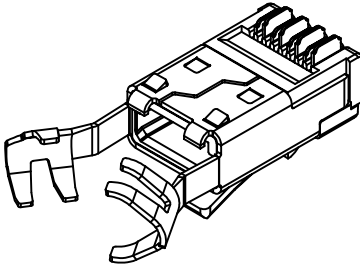
BULK	50 MICRO-INCHES [1.27um]	SS-39200-094
BAGGED	50 MICRO-INCHES [1.27um]	SS-39200-093
PACKAGING	CONTACT PLATING IN MATING AREA	PART NUMBER



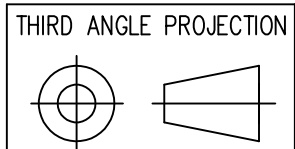
BOOT
39200-935



LOAD BAR
39200-933



PRE-INSERTED PLUG
BODY WITH SHIELD
39200-350



1118 Susquehanna Trail South
Glen Rock, PA 17327-9199
(717) 235-7512
<http://www.stewartconnector.com>

DO NOT SCALE DRAWING
DRAWING IS SUBJECT TO
CHANGE WITHOUT NOTICE

DIMENSIONS: INCHES [METRIC]

UNLESS OTHERWISE SPECIFIED
TOLERANCES ARE ±.005 [0.13]
ANGLES ARE ± 1°

SHEET NO. 1 OF 1

TITLE: 8 CONDUCTOR, 8 POSITION SHIELDED PLUG, WITH LOAD BAR, .062 MAX DIA WIRE, .335 MAX CABLE

THIS DRAWING AND THE SUBJECT MATTER SHOWN THEREON ARE CONFIDENTIAL AND THE PROPRIETARY PROPERTY OF STEWART CONNECTOR AND SHALL NOT BE REPRODUCED, COPIED, OR USED IN ANY MANNER WITHOUT PRIOR WRITTEN CONSENT OF STEWART CONNECTOR. THIS PRODUCT MAY BE PROTECTED BY ONE OR MORE OF THE FOLLOWING US PATENTS: 5628647 6402559 6409535 6524128 7753717 8033863 OTHER PATENTS MAY BE PENDING.

DRN BY: BTS	DATE 02-12-19
APPD BY: JME	DATE 02-14-19
DWG NO. CT390216	REV. A0