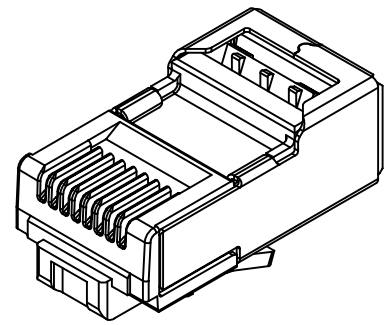
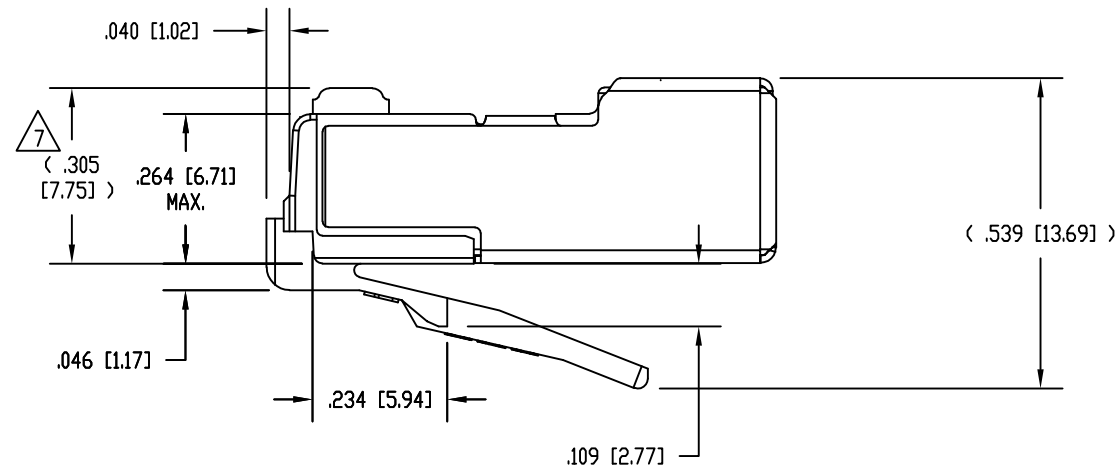
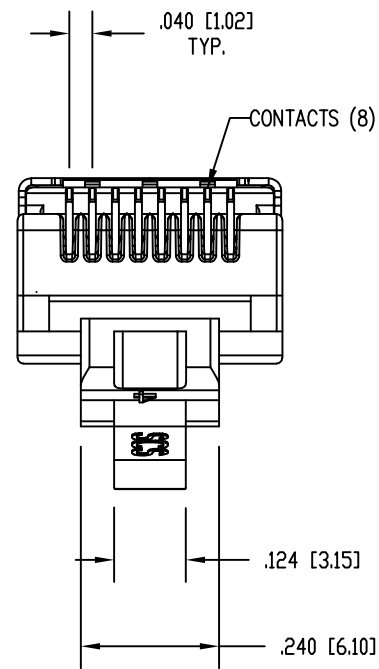
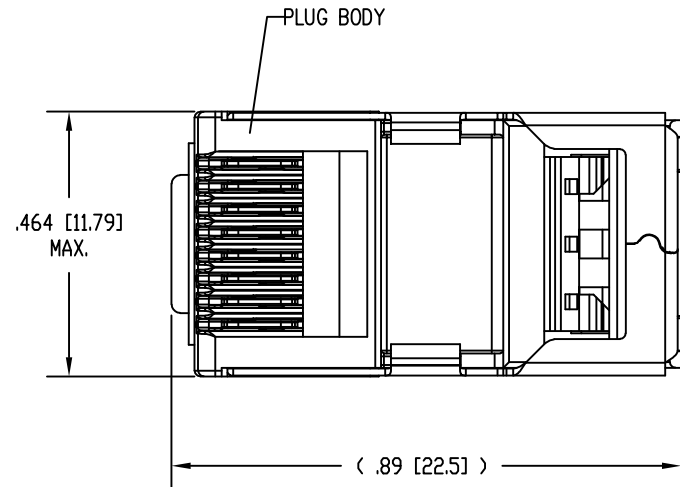


DATE	REV	ECN	APP'D. BY
12-12-16	B3	10840	TRM
1-4-18	B4	11185	TRM



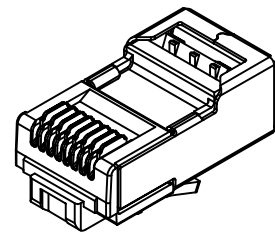
ISOMETRIC VIEW OF TERMINATED PLUG



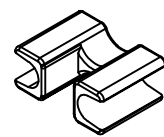
NOTES:

1. PLUG KIT CONSISTS OF:
PRE-INSERTED PLUG BODY WITH SHIELD
LOAD BAR
WIRE ALIGNER
2. MATERIALS:
PLUG BODY: CLEAR POLYCARBONATE, UL 94-V0
LOAD BAR: BLACK POLYCARBONATE, UL 94-V0
WIRE ALIGNER: CLEAR POLYCARBONATE, UL 94-V0
CONTACTS: COPPER ALLOY, SELECTIVE GOLD PLATING
SHIELD: COPPER ALLOY, NICKEL PLATE
3. FOR PRODUCT SPECIFICATION SEE PR026-01.
4. CONTACTS TERMINATE SOLID OR STRANDED CONDUCTORS BETWEEN .037 [0.94] TO .042 [1.07] OUTSIDE DIAMETER OF INSULATION.
5. PRODUCT DESIGNED FOR CATEGORY 6A APPLICATIONS.
6. DIMENSIONS AND TOLERANCES COMPLY WITH TIA-1096 STANDARD FORMERLY FCC/CFR 47, PART 68.

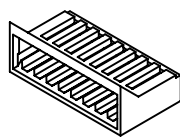
△ TERMINATED PLUG HEIGHT: .237 [6.02] ±.005 [0.13].



PRE-INSERTED PLUG BODY 39200-339



WIRE ALIGNER 39100-864



LOAD BAR 39100-847



50 MICRO-INCHES [0.76um]	SS-39200-037
CONTACT PLATING IN MATING AREA	PART NUMBER

THIRD ANGLE PROJECTION
DO NOT SCALE DRAWING DRAWING IS SUBJECT TO CHANGE WITHOUT NOTICE
DIMENSIONS: INCHES [METRIC]
UNLESS OTHERWISE SPECIFIED TOLERANCES ARE ±.005 [0.13] ANGLES ARE ± 1°
SHEET NO. 1 OF 1



11118 Susquehanna Trail South
Glen Rock, PA 17327-9199
(717) 235-7512
<http://www.stewartconnector.com>

TITLE: 8 CONDUCTOR, 8 POSITION SHIELDED CAT 6A PLUG, WITH LOAD BAR, AND WIRE ALIGNER			
DRN BY: DHG	DATE: 9-30-13		
APPD BY: TRM	DATE: 9-30-13		
DWG NO. CT390111	REV. B4		