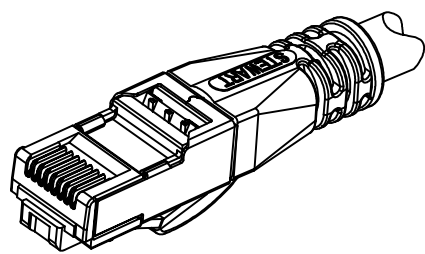
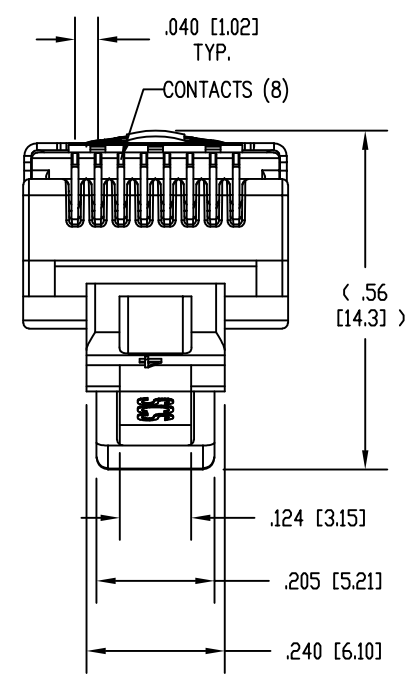
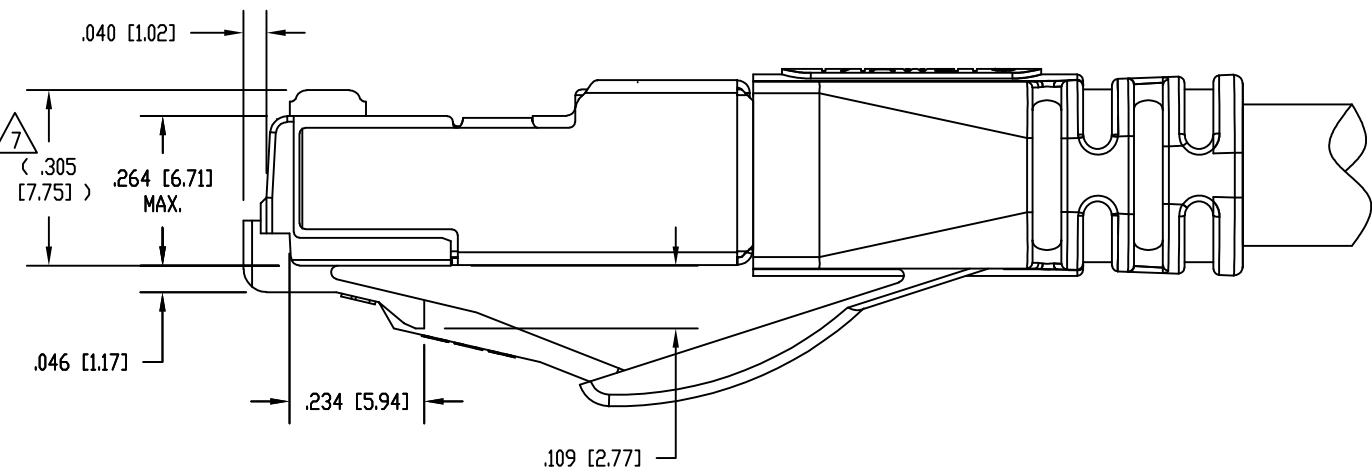
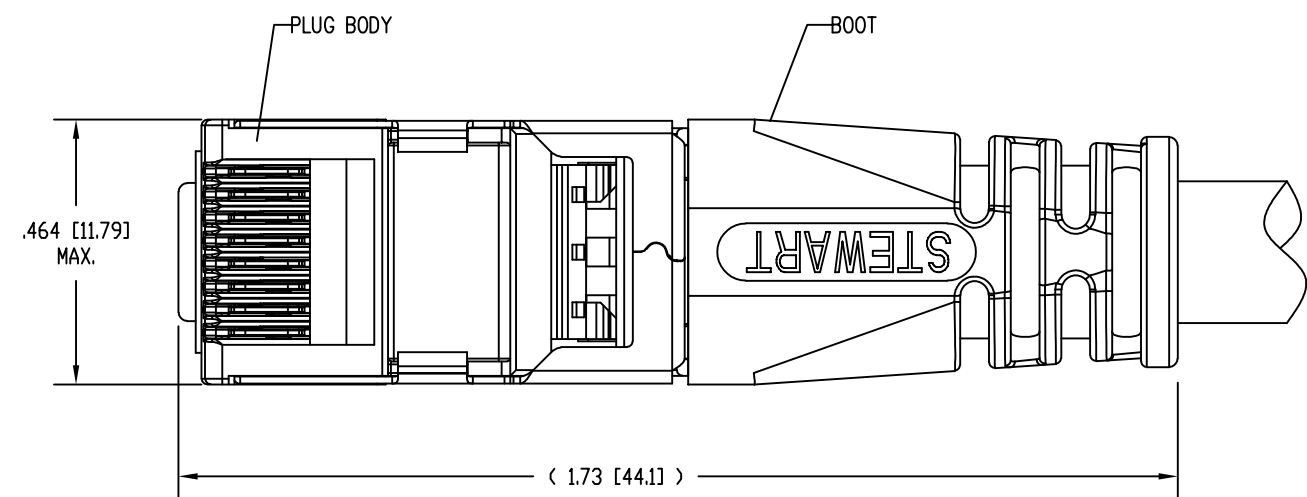


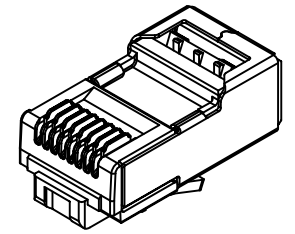
| DATE | REV | ECN | APP'D. BY |
|---------|-----|-------|-----------|
| 2-22-16 | B3 | 10555 | TRM |
| 1-4-18 | B4 | 11185 | TRM |
| | | | |
| | | | |



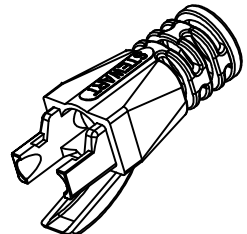
ISOMETRIC VIEW OF TERMINATED PLUG



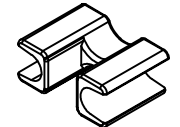
- NOTES:
- PLUG KIT CONSISTS OF:
PRE-INSERTED PLUG BODY WITH SHIELD
LOAD BAR
WIRE ALIGNER
ANTI-SNAG BOOT
 - MATERIALS:
PLUG BODY: CLEAR POLYCARBONATE, UL 94-V0
LOAD BAR: CLEAR POLYCARBONATE, UL 94-V0
ANTI-SNAG BOOT: CLEAR POLYCARBONATE, UL 94-V0
WIRE ALIGNER: CLEAR POLYCARBONATE, UL 94-V0
CONTACTS: COPPER ALLOY, SELECTIVE GOLD PLATING
SHIELD: COPPER ALLOY, NICKEL PLATE
 - FOR PRODUCT SPECIFICATION SEE PR026-01.
 - CONTACTS TERMINATE SOLID OR STRANDED CONDUCTORS BETWEEN .033 [0.84] TO .038 [0.97] OUTSIDE DIAMETER OF INSULATION.
 - PRODUCT DESIGNED FOR CATEGORY 6A APPLICATIONS.
 - DIMENSIONS AND TOLERANCES COMPLY WITH TIA-1096 STANDARD FORMERLY FCC/CFR 47, PART 68.
- ∇ TERMINATED PLUG HEIGHT: .237 [6.02] \pm .005 [0.13].



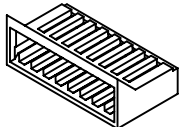
PRE-INSERTED PLUG BODY
39200-339



BOOT
39100-874

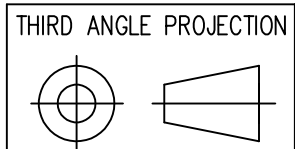


WIRE ALIGNER
39100-864



LOAD BAR
39100-866

| | |
|--------------------------------|--------------|
| 50 MICRO-INCHES [0.76um] | SS-39200-035 |
| CONTACT PLATING IN MATING AREA | PART NUMBER |



DO NOT SCALE DRAWING
DRAWING IS SUBJECT TO CHANGE WITHOUT NOTICE
DIMENSIONS: INCHES [METRIC]
UNLESS OTHERWISE SPECIFIED TOLERANCES ARE \pm .005 [0.13] ANGLES ARE \pm 1°
SHEET NO. 1 OF 1



11118 Susquehanna Trail South
Glen Rock, PA 17327-9199
(717) 235-7512
<http://www.stewartconnector.com>

| | |
|---|--------------|
| TITLE: 8 CONDUCTOR, 8 POSITION SHIELDED CAT 6A PLUG, WITH LOAD BAR, WIRE ALIGNER AND BOOT, .250 MAX CABLE | |
| DRN BY: DHG | DATE 9-30-13 |
| APPD BY: TRM | DATE 9-30-13 |
| DWG NO. CT390109 | REV. B4 |

