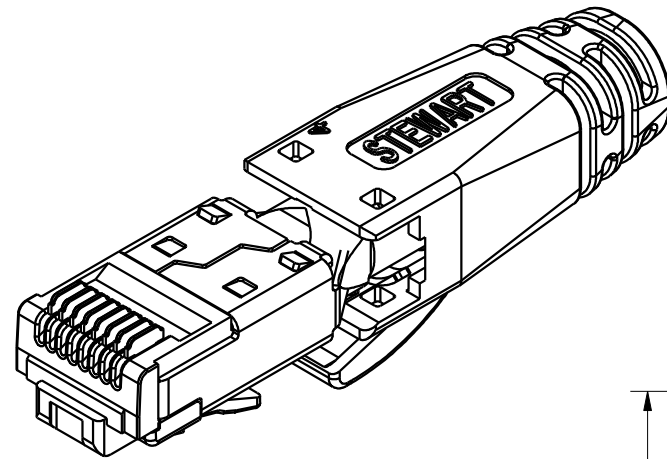
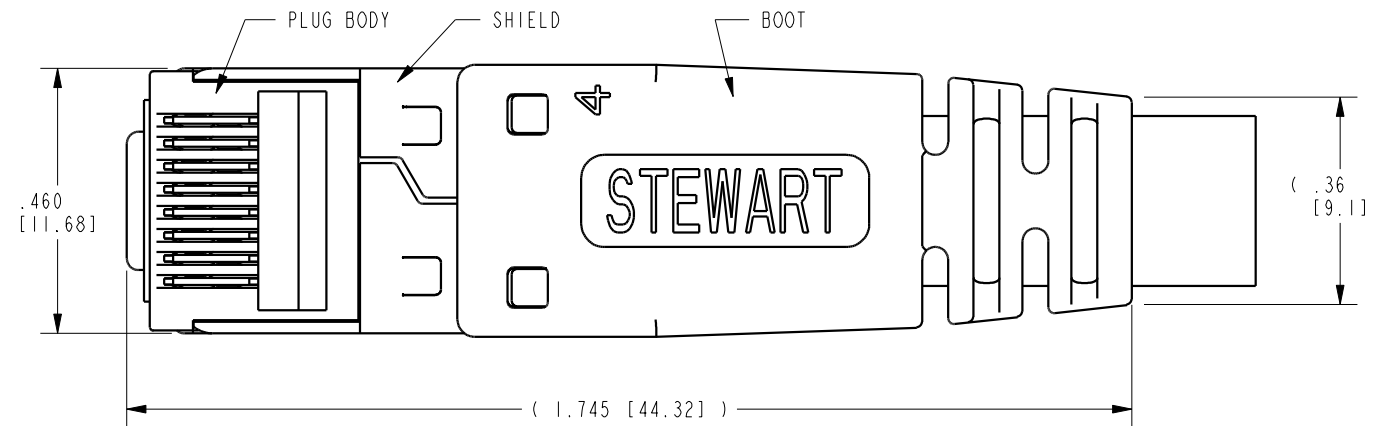


DATE	REV.	ECN	APP'D BY
2-17-15	A2	10260	ADB
2-22-16	A3	10555	TRM



ISO VIEW



NOTES:

- PLUG KIT CONSISTS OF:
 PRE-INSERTED PLUG BODY WITH SHIELD - 39200-318
 LOAD BAR - 39100-847
 WIRE ALIGNER - 39200-893
 BOOT - 39200-883

2. MATERIALS:

- PLUG BODY: CLEAR POLYCARBONATE, UL 94-V0
- LOAD BAR: BLACK POLYCARBONATE, UL 94-V0
- WIRE ALIGNER: CLEAR POLYCARBONATE, UL 94-V0
- BOOT: BLACK POLYCARBONATE, UL 94-V0
- CONTACTS: COPPER ALLOY, SELECTIVE GOLD PLATING
- SHIELD: COPPER ALLOY, NICKEL PLATE

3. FOR PRODUCT SPECIFICATION SEE PR026-01.

4. CONTACTS TERMINATE SOLID OR STRANDED CONDUCTORS BETWEEN .037 [0.94] TO .042 [1.07] OUTSIDE DIAMETER OF INSULATION.

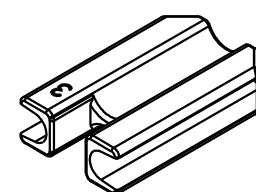
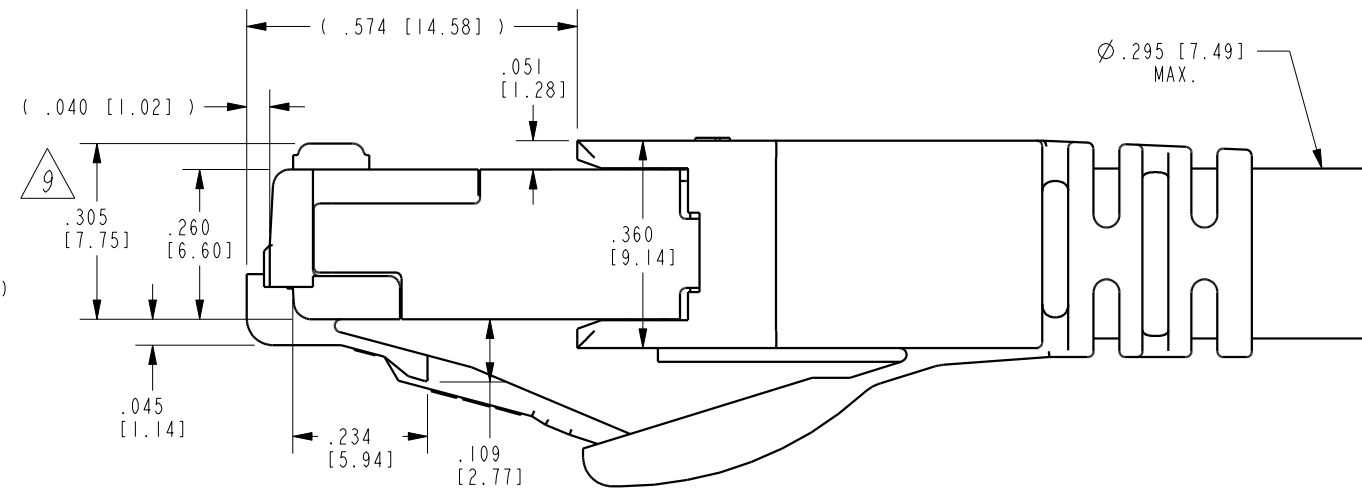
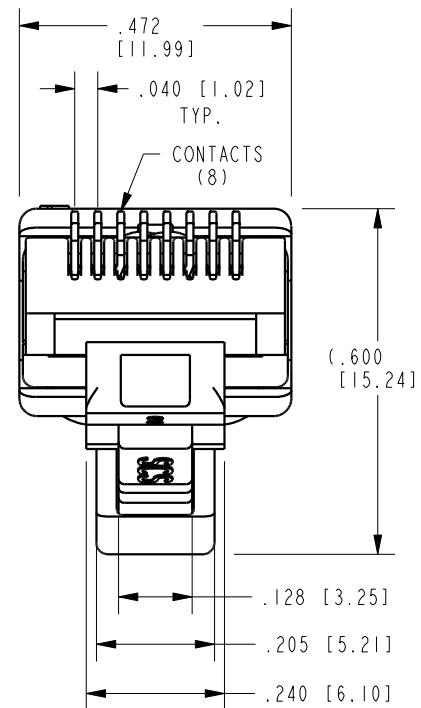
5. CRIMP IS FOR CABLES WITH OUTSIDE NOMINAL DIAMETERS OF .270 [6.86] TO .295 [7.49].

6. INDIVIDUALLY BAGGED PLUG KITS (1 EACH: PLUG BODY, LOAD BAR, WIRE ALIGNER, AND BOOT) PACKAGED 25 PER BOX.

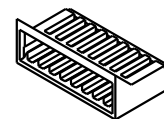
7. PRODUCT DESIGNED FOR CATEGORY 6A APPLICATIONS.

8. DIMENSIONS AND TOLERANCES COMPLY WITH TIA-1096 STANDARD.

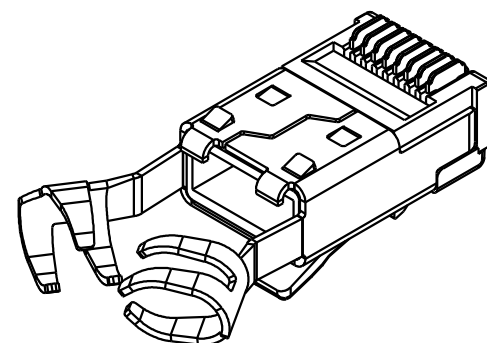
9. TERMINATED PLUG HEIGHT: .237 [6.02] ±.005 [0.13].



WIRE ALIGNER



LOAD BAR



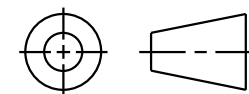
PRE-INSERTED PLUG BODY WITH SHIELD

RoHS



BAGGED	50 MICRO-INCHES [1.27um]	SS-39200-034
PACKAGE	CONTACT PLATING IN MATING AREA	PART NUMBER

THIRD ANGLE PROJECTION



11118 Susquehanna Trail South
 Glen Rock, PA 17327-9199
 (717) 235-7512
<http://www.stewartconnector.com>

DO NOT SCALE DRAWING

DRAWING IS SUBJECT TO CHANGE WITHOUT NOTICE

DIMENSIONS: INCHES [METRIC]

UNLESS OTHERWISE SPECIFIED TOLERANCES ARE ±.005 [0.13] ANGLES ARE ±1°

SHEET NO. 1 OF 1

8 CONDUCTOR, 8 POSITION SHIELDED CAT6A PLUG WITH LOAD BAR, CRIMP STYLE AND BOOT

THIS DRAWING AND THE SUBJECT MATTER SHOWN THEREON ARE CONFIDENTIAL AND THE PROPRIETARY PROPERTY OF STEWART CONNECTOR AND SHALL NOT BE REPRODUCED, COPIED, OR USED IN ANY MANNER WITHOUT PRIOR WRITTEN CONSENT OF STEWART CONNECTOR. ONE OR MORE U.S. PATENTS MAY APPLY TO THIS PRODUCT. FOR DETAILS, PLEASE VISIT: [HTTP://BELFUSE.COM/STEWART/STEWART_PATENTS/](http://BELFUSE.COM/STEWART/STEWART_PATENTS/)

DRN BY:	TRM	DATE	6-27-13
APPD BY:	DHG	DATE	6-27-13
DWG. NO.	CT390106	REV.	A3