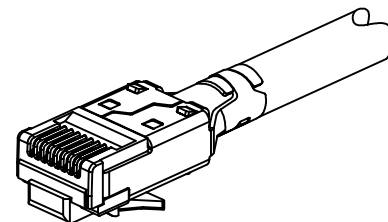
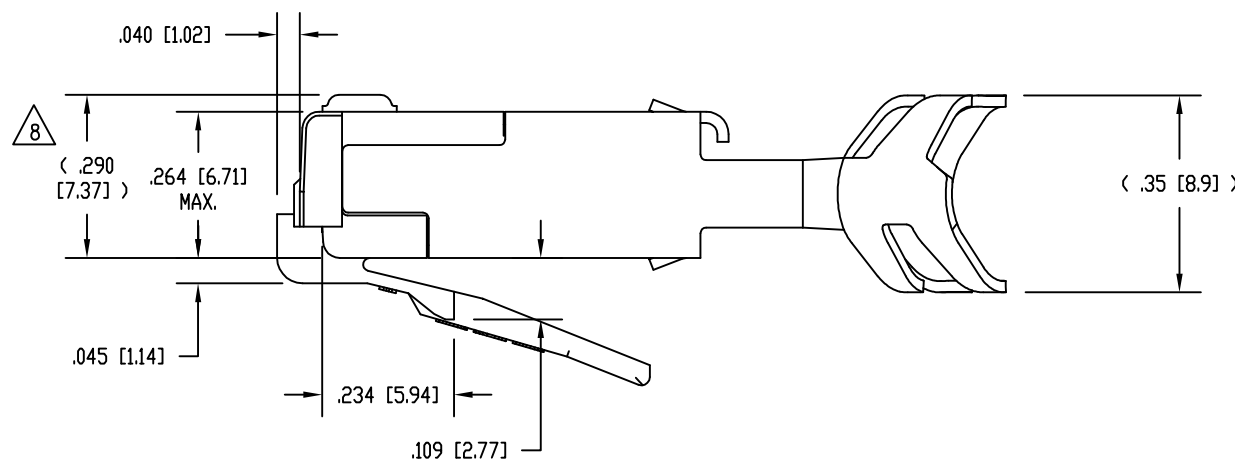
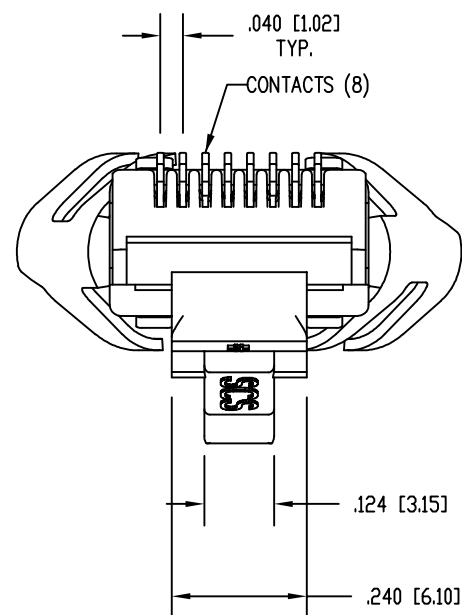
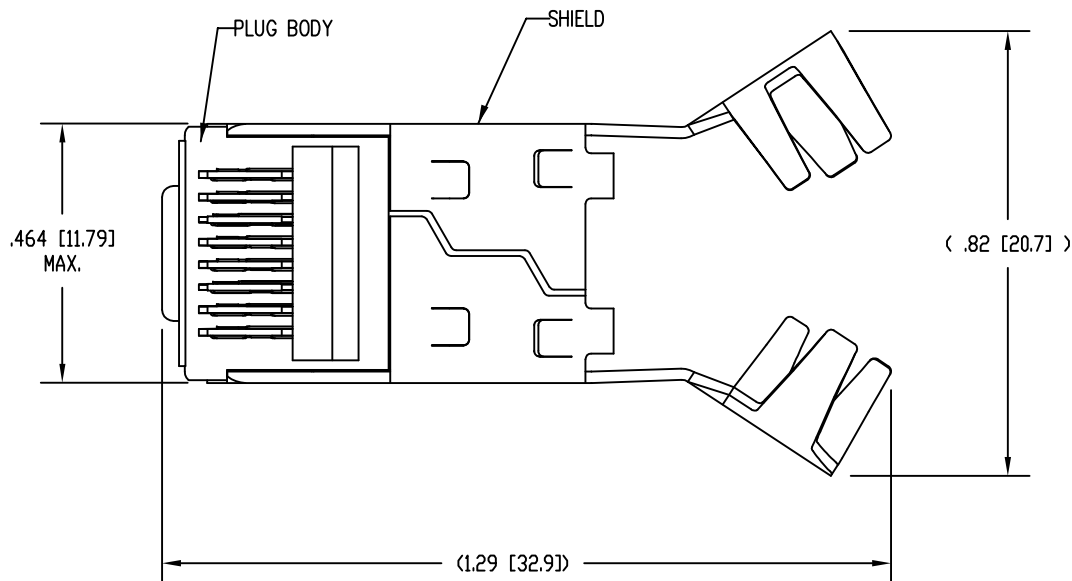


DATE	REV	ECN	APP'D. BY
10-6-15	A3	10435	TRM
2-22-16	A4	10554	TRM



ISOMETRIC VIEW OF TERMINATED PLUG

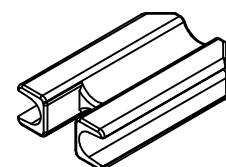


NOTES:

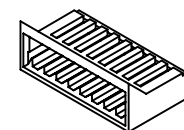
- PLUG KIT CONSISTS OF:  
PRE-INSERTED PLUG BODY WITH SHIELD - 39200-317  
LOAD BAR - 39100-847  
WIRE ALIGNER - 39200-893
- MATERIALS:  
PLUG BODY: CLEAR POLYCARBONATE, UL 94-V0  
LOAD BAR: BLACK POLYCARBONATE, UL 94-V0  
WIRE ALIGNER: CLEAR POLYCARBONATE, UL 94-V0  
CONTACTS: COPPER ALLOY, SELECTIVE GOLD PLATING  
SHIELD: COPPER ALLOY, NICKEL PLATE
- FOR PRODUCT SPECIFICATION SEE PR026-01.
- CONTACTS TERMINATE SOLID OR STRANDED CONDUCTORS BETWEEN .037 [0.94] TO .042 [1.07] OUTSIDE DIAMETER OF INSULATION.
- CRIMP IS FOR CABLES WITH OUTSIDE NOMINAL DIAMETERS OF .230 [5.84] TO .250 [6.35].
- PRODUCT DESIGNED FOR CATEGORY 6A APPLICATIONS.
- DIMENSIONS AND TOLERANCES COMPLY WITH TIA-1096 STANDARD FORMERLY FCC/CFR 47, PART 68.

△8 TERMINATED PLUG HEIGHT: .237 [6.02] ±.005 [0.13].

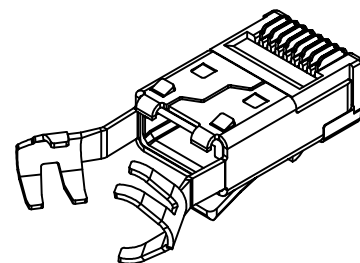
50 MICRO-INCHES [1.27um]	SS-39200-023
CONTACT PLATING IN MATING AREA	PART NUMBER



WIRE ALIGNER  
39200-893



LOAD BAR  
39100-847



PRE-INSERTED PLUG BODY WITH SHIELD  
39200-317



THIRD ANGLE PROJECTION
DO NOT SCALE DRAWING DRAWING IS SUBJECT TO CHANGE WITHOUT NOTICE
DIMENSIONS: INCHES [METRIC]
UNLESS OTHERWISE SPECIFIED TOLERANCES ARE ±.005 [0.13] ANGLES ARE ± 1°
SHEET NO. 1 OF 1

 1118 Susquehanna Trail South Glen Rock, PA 17327-9199 (717) 235-7512 <a href="http://www.stewartconnector.com">http://www.stewartconnector.com</a>	<b>TITLE:</b> 8 CONDUCTOR, 8 POSITION SHIELDED CAT 6A PLUG, WITH LOAD BAR, AND WIRE ALIGNER, .250 MAX CABLE	
	DRN BY: DHG APPD BY: TRM DWG NO. CT390076	DATE 8-17-10 DATE 8-24-10 REV. A4