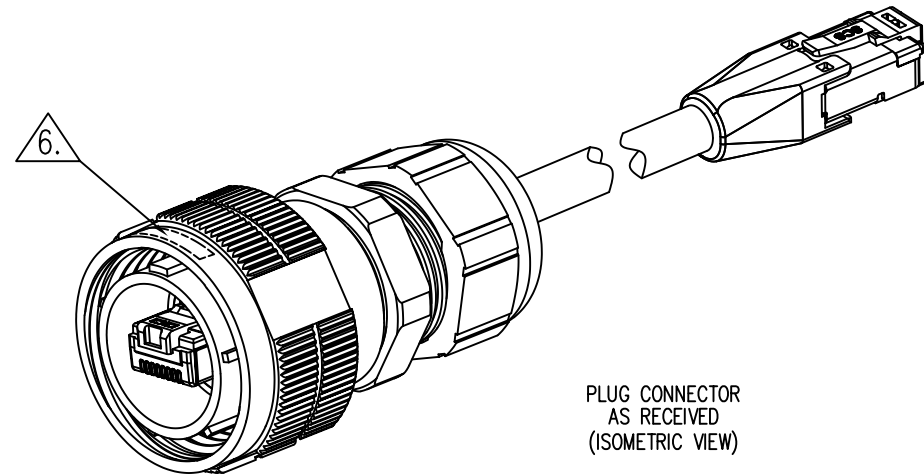
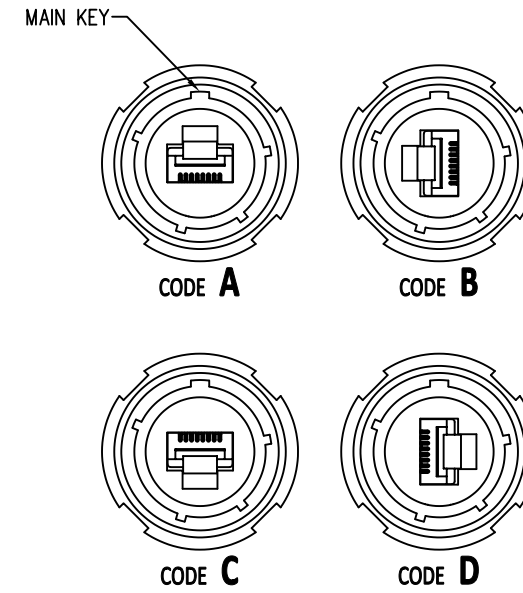


PLUG CONNECTOR, WITH CORDSET AND SEALING GLAND



PLUG CONNECTOR AS RECEIVED (ISOMETRIC VIEW)

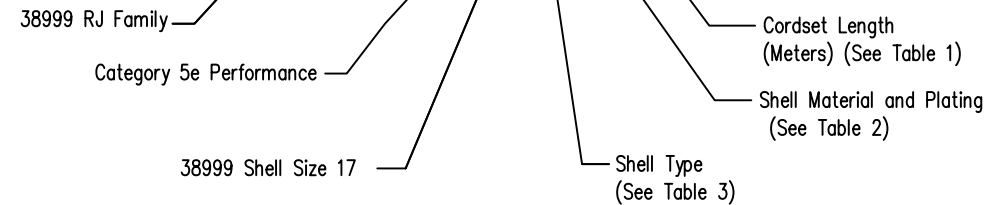


POLARIZATION CODES
USE REMOVAL TOOL P/N 2940262-01
IF RECODING IS NECESSARY

DATE	REV	ECN	APP'D. BY
12-2-16	X0	-	ADB
1-11-17	A0	-	DHG
2-08-17	A1	10895	DHG
5-23-17	B0	11009	DHG
7-26-17	B1	11052	DHG

Part Number Key

S-RJFTV5E1706PG03



NOTES:

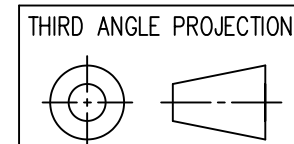
- CONNECTOR MATERIALS:
SHELL MATERIAL AND PLATING: SEE CHART FOR PART NUMBER
RJ45 PLUG LOCATOR: THERMOPLASTIC UL94 V-0
PLUG BODY: CLEAR POLYCARBONATE, UL 94-V0
LOAD BAR: CLEAR POLYCARBONATE, UL 94-V0
BOOT: BLACK POLYCARBONATE, UL 94-V0
CONTACTS: COPPER ALLOY, SELECTIVE GOLD PLATING
SHIELD: COPPER ALLOY, NICKEL PLATE
GLAND ASSEMBLY: METAL OR THERMOPLASTIC HOUSING WITH CHLOROPRENE RUBBER SEAL
- DESIGNED FOR CATEGORY 5e PERFORMANCE FOR RJ45 PRODUCT SPECIFICATIONS SEE PR040-01.
- RJ45 INTERFACE DIMENSIONS AND TOLERANCES COMPLY WITH TIA-1096 STANDARD.
- CIRCULAR SHELL COMPLIES WITH MIL-DTL-38999.
- STANDARD PRODUCT IS SUPPLIED ASSEMBLED TO POLARIZATION CODE A
- CONNECTOR ASSEMBLY IS MARKED WITH DATE CODE IN THIS AREA.
- CIRCULAR PLUG CONNECTOR IS SUPPLIED WITH DUST CAP.

Part Number	Standard Length (Meters) [Inches]
03	0.3 [11.8]
05	0.5 [19.7]
10	1.0 [39.4]
15	1.5 [59.1]

For Lengths Not Shown Follow Part Number Key Format.

Part Number	Description
G	Aluminum shell, Olive drab plating
N	Aluminum shell, Nickel plating (RoHS)
SS	Stainless steel, Passivated (RoHS)
BZ	Marine bronze (RoHS)

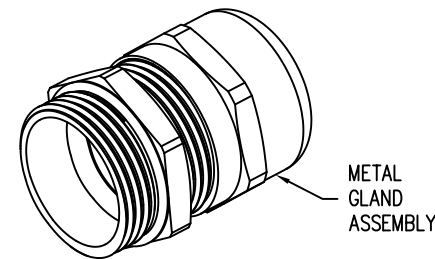
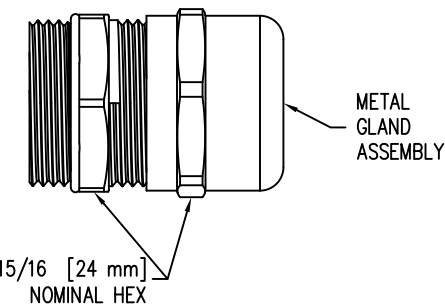
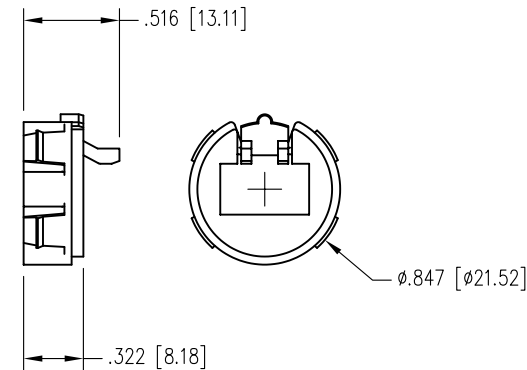
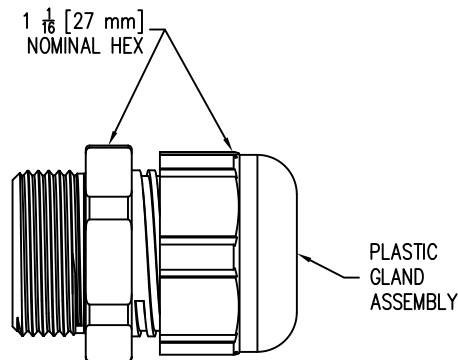
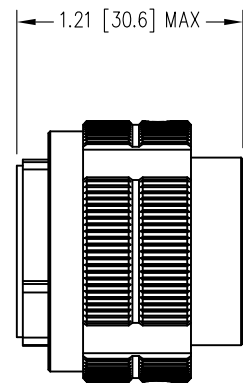
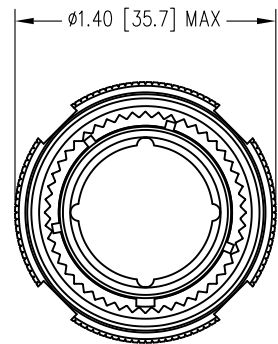
Part Number	Description
06P	Plug, straight, Plastic gland
06M	Plug, straight, Metal gland



THIRD ANGLE PROJECTION

11118 Susquehanna Trail South
Glen Rock, PA 17327-9199
(717) 235-7512
<http://www.stewartconnector.com>

DO NOT SCALE DRAWING DRAWING IS SUBJECT TO CHANGE WITHOUT NOTICE	TITLE: IP68 PLUG FOR RJ45 CABLE ASSEMBLY SIZE 17 38999, WITH SEALING GLAND	DRN BY: DHG DATE: 11-16-16
DIMENSIONS: INCHES [METRIC] UNLESS OTHERWISE SPECIFIED TOLERANCES ARE ±.005 [0.13] ANGLES ARE ± 1°	THIS DRAWING AND THE SUBJECT MATTER SHOWN THEREON ARE CONFIDENTIAL AND THE PROPRIETARY PROPERTY OF STEWART CONNECTOR AND SHALL NOT BE REPRODUCED, COPIED, OR USED IN ANY MANNER WITHOUT PRIOR WRITTEN CONSENT OF STEWART CONNECTOR. ONE OR MORE U.S. PATENTS MAY APPLY TO THIS PRODUCT. FOR DETAILS, PLEASE VISIT: HTTP://BELFUSE.COM/STEWART/STEWART_PATENTS/	APPD BY: ADB DATE: 12-2-16
SHEET NO. 1 OF 3		DWG NO. CT600170 REV. B1

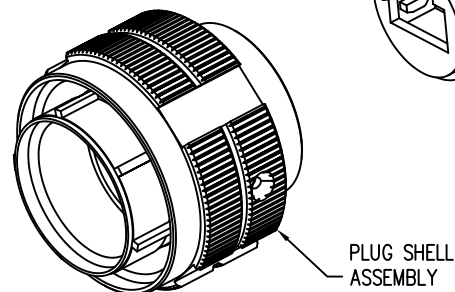
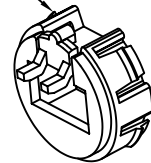


PLASTIC GLAND ASSEMBLY

RJ45 CORDSET

LENGTH IN METERS
(SEE TABLE 1 ON SHT 1)
(SEE TABLE 4 FOR LENGTH
TOLERANCE)

RJ45 PLUG LOCATOR



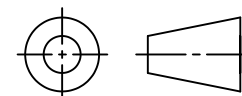
PLUG CONNECTOR
AS RECEIVED
(EXPLODED VIEW)

Cable Length = Meters [inches]	Tolerance = MM [inches]
0.5 [19.7] TO 2.5 [98.4]	+100 [3.90] / -0 [0.00]
3.0 [118] TO 10 [394]	+150 [5.91] / -0 [0.00]

NOTES:

- SEALING GLAND RECOMMENDED TORQUE VALUES:
 PLASTIC GLAND:
 GLAND TO SHELL = 44.3 In-Lbs [5 Nm]
 GLAND TO CABLE = 29.2 In-Lbs [3.3 Nm]
 METAL GLAND:
 GLAND TO SHELL = 66.4 In-Lbs [7.5 Nm]
 GLAND TO CABLE = 44.3 In-Lbs [5 Nm]

THIRD ANGLE PROJECTION



1118 Susquehanna Trail South
Glen Rock, PA 17327-9199
(717) 235-7512

<http://www.stewartconnector.com>

DO NOT SCALE DRAWING
DRAWING IS SUBJECT TO
CHANGE WITHOUT NOTICE

TITLE: IP68 PLUG FOR RJ45 CABLE ASSEMBLY
SIZE 17 38999, WITH SEALING GLAND

DIMENSIONS: INCHES [METRIC]
UNLESS OTHERWISE SPECIFIED
TOLERANCES ARE ±.005 [0.13]
ANGLES ARE ± 1°

THIS DRAWING AND THE SUBJECT MATTER SHOWN THEREON
ARE CONFIDENTIAL AND THE PROPRIETARY PROPERTY OF
STEWART CONNECTOR AND SHALL NOT BE REPRODUCED,
COPIED, OR USED IN ANY MANNER WITHOUT PRIOR WRITTEN
CONSENT OF STEWART CONNECTOR. ONE OR MORE U.S. PATENTS
MAY APPLY TO THIS PRODUCT. FOR DETAILS, PLEASE
VISIT: [HTTP://BELFUSE.COM/STEWART/STEWART_PATENTS/](http://BELFUSE.COM/STEWART/STEWART_PATENTS/)

DRN BY:	DHG	DATE	11-16-16
APPD BY:	ADB	DATE	12-2-16
DWG NO.	CT600170	REV.	B1

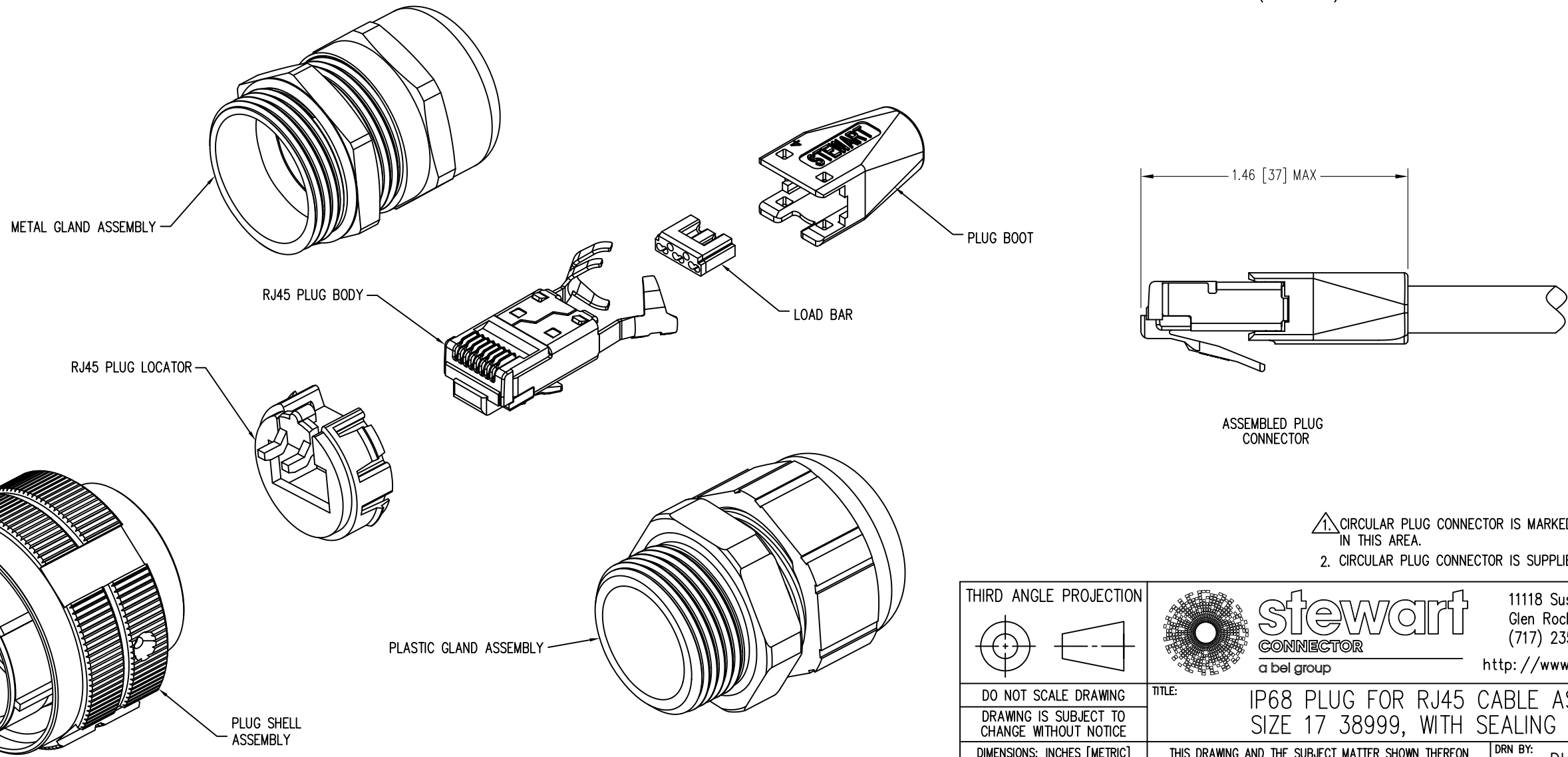
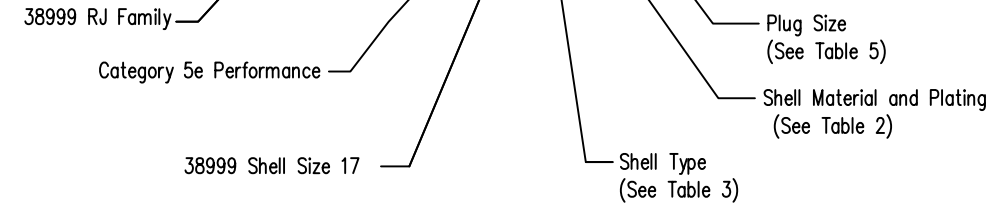
SHEET NO. 2 OF 3

PLUG CONNECTOR KIT, WITH UNTERMINATED RJ45 PLUG

TABLE 5 - PLUG SIZE		
Part Number	Conductor Insulation Diameter (Inches) [mm]	Cable Jacket Diameter (Inches) [mm]
A	.037 TO .042 [0.94 TO 1.07]	.220 TO .240 [5.6 TO 6.1]
B	.037 TO .042 [0.94 TO 1.07]	.240 TO .260 [6.1 TO 6.6]
C	.037 TO .042 [0.94 TO 1.07]	.270 TO .295 [6.8 TO 7.5]

Part Number Key

S-RJFTV5E1706PGA



- 1. CIRCULAR PLUG CONNECTOR IS MARKED WITH DATE CODE IN THIS AREA.
- 2. CIRCULAR PLUG CONNECTOR IS SUPPLIED WITH DUST CAP(S).

THIRD ANGLE PROJECTION 	 stewart CONNECTOR a bel group	1118 Susquehanna Trail South Glen Rock, PA 17327-9199 (717) 235-7512 http://www.stewartconnector.com
DO NOT SCALE DRAWING DRAWING IS SUBJECT TO CHANGE WITHOUT NOTICE	TITLE: IP68 PLUG FOR RJ45 CABLE ASSEMBLY SIZE 17 38999, WITH SEALING GLAND	
DIMENSIONS: INCHES [METRIC]	THIS DRAWING AND THE SUBJECT MATTER SHOWN THEREON ARE CONFIDENTIAL AND THE PROPRIETARY PROPERTY OF STEWART CONNECTOR AND SHALL NOT BE REPRODUCED, COPIED, OR USED IN ANY MANNER WITHOUT PRIOR WRITTEN CONSENT OF STEWART CONNECTOR. ONE OR MORE U.S. PATENTS MAY APPLY TO THIS PRODUCT. FOR DETAILS, PLEASE VISIT: HTTP://BELFUSE.COM/STEWART/STEWART_PATENTS/	DRN BY: DHG DATE 11-16-16
UNLESS OTHERWISE SPECIFIED TOLERANCES ARE ±.005 [0.13] ANGLES ARE ± 1°		APPD BY: ADB DATE 12-2-16
SHEET NO. 3 OF 3	DWG NO. CT600170	REV. B1