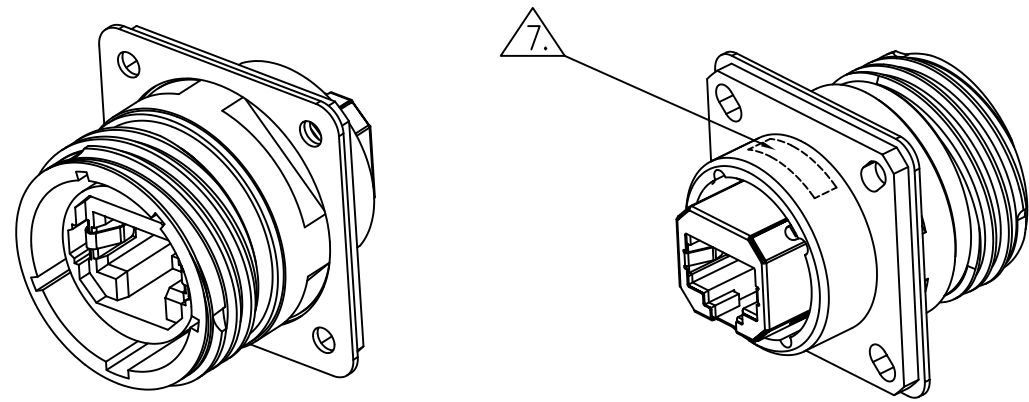
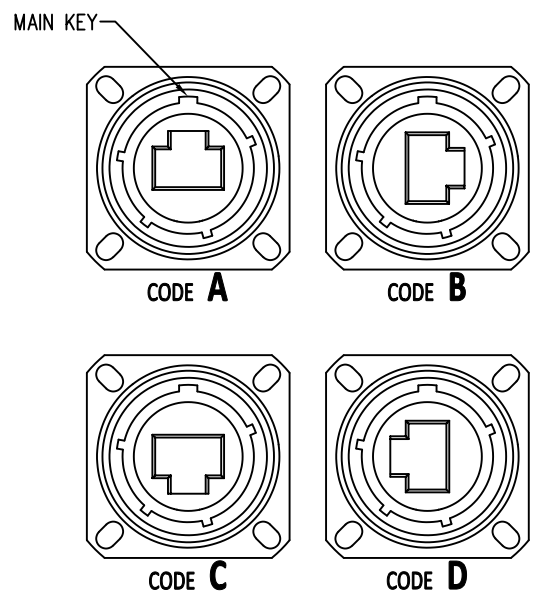


# SQUARE FLANGE RECEPTACLE CONNECTOR



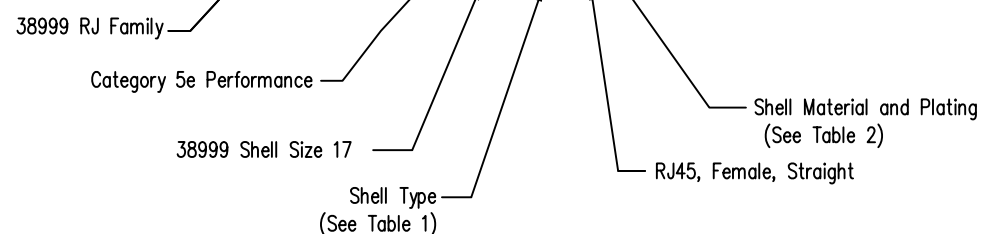
RECEPTACLE CONNECTOR AS RECEIVED (ISOMETRIC VIEWS)



POLARIZATION CODES USE REMOVAL TOOL P/N 2940262-01 IF RECODING IS NECESSARY

## Part Number Key

**S-RJFTV5E17021G**



DATE	REV	ECN	APP'D. BY
-	X0	-	-
12-28-16	X1	-	DHG
1-11-17	A0	-	DHG
2-08-17	A1	10895	DHG
5-23-17	B0	11009	DHG
7-26-17	B1	11052	DHG

### NOTES:

- CONNECTOR MATERIALS:  
HOUSING: THERMOPLASTIC UL94 V-0  
CONTACTS/SHIELD: COPPER ALLOY  
CONTACT PLATING: 50 MICRO-INCHES [1.27um] SELECTIVE GOLD OR EQUIVALENT  
SHELL MATERIAL AND PLATING: SEE CHART FOR PART NUMBER  
GASKET: SILICONE
- DESIGNED FOR CATEGORY 5e PERFORMANCE FOR RJ45 PRODUCT SPECIFICATIONS SEE PRO40-01.
- RJ45 INTERFACE DIMENSIONS AND TOLERANCES COMPLY WITH TIA-1096 STANDARD.
- CIRCULAR SHELL COMPLIES WITH MIL-DTL-38999.
- STANDARD PRODUCT IS SUPPLIED ASSEMBLED TO POLARIZATION CODE A
- CONNECTOR ASSEMBLY IS SUPPLIED WITHOUT CORDSET IF LENGTH DESIGNATOR IS BLANK.
- CIRCULAR CONNECTOR IS MARKED WITH DATE CODE IN THIS AREA.
- CIRCULAR CONNECTOR IS SUPPLIED WITH DUST CAPS.

Part Number	Description
02	Receptacle, Square flange
02BS	Receptacle, Square flange, IP68 Backshell, Plastic gland
02BSM	Receptacle, Square flange, IP68 Backshell, Metal gland

Part Number	Description
G	Aluminum shell, Olive drab plating
N	Aluminum shell, Nickel plating (RoHS)
SS	Stainless steel, Passivated (RoHS)
BZ	Marine bronze (RoHS)

THIRD ANGLE PROJECTION

stewart  
CONNECTOR  
a bel group

1118 Susquehanna Trail South  
Glen Rock, PA 17327-9199  
(717) 235-7512  
<http://www.stewartconnector.com>

---

DO NOT SCALE DRAWING  
DRAWING IS SUBJECT TO CHANGE WITHOUT NOTICE

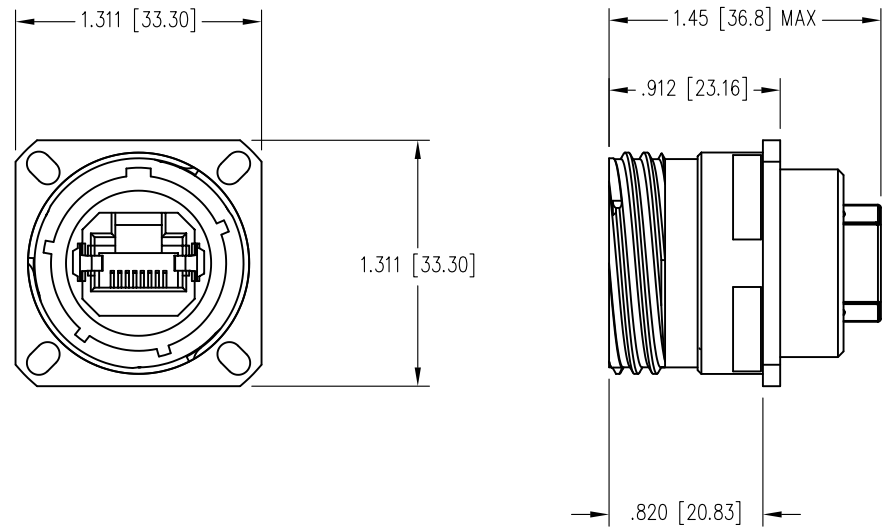
DIMENSIONS: INCHES [METRIC]  
UNLESS OTHERWISE SPECIFIED TOLERANCES ARE ±.005 [0.13] ANGLES ARE ± 1°

SHEET NO. 1 OF 3

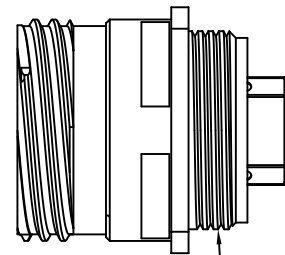
TITLE: IP68 RECEPTACLE WITH RJ45 INSERT  
SIZE 17 38999 SQUARE FLANGE SHELL

THIS DRAWING AND THE SUBJECT MATTER SHOWN THEREON ARE CONFIDENTIAL AND THE PROPRIETARY PROPERTY OF STEWART CONNECTOR AND SHALL NOT BE REPRODUCED, COPIED, OR USED IN ANY MANNER WITHOUT PRIOR WRITTEN CONSENT OF STEWART CONNECTOR. ONE OR MORE U.S. PATENTS MAY APPLY TO THIS PRODUCT. FOR DETAILS, PLEASE VISIT: [HTTP://BELFUSE.COM/STEWART/STEWART\\_PATENTS/](http://BELFUSE.COM/STEWART/STEWART_PATENTS/)

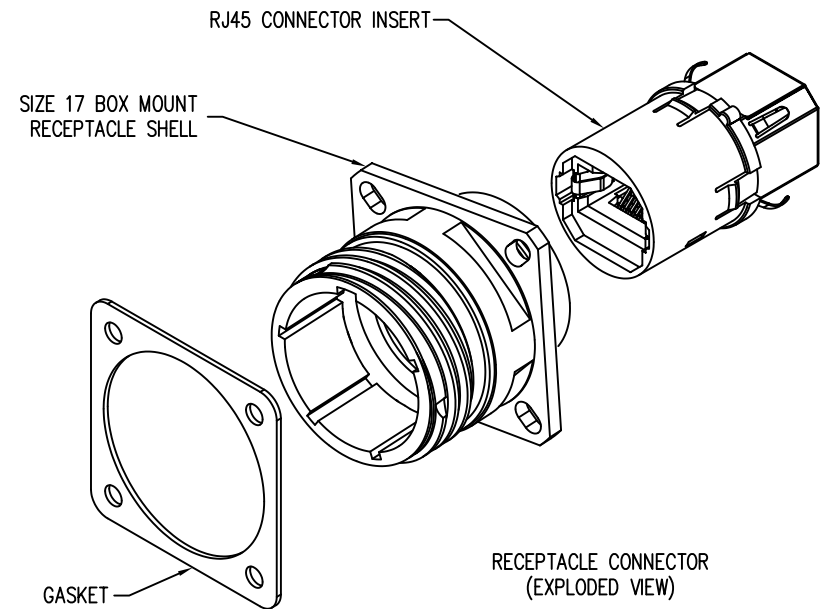
DRN BY: DHG	DATE: 11-15-16
APPD BY: ADB	DATE: 12-2-16
DWG NO. CT600171	REV. B1



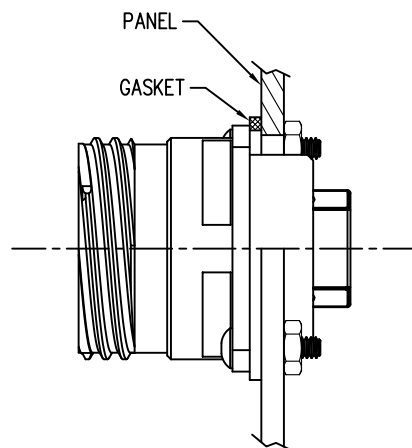
ASSEMBLED DIMENSIONS  
(POLARIZATION CODE A SHOWN)



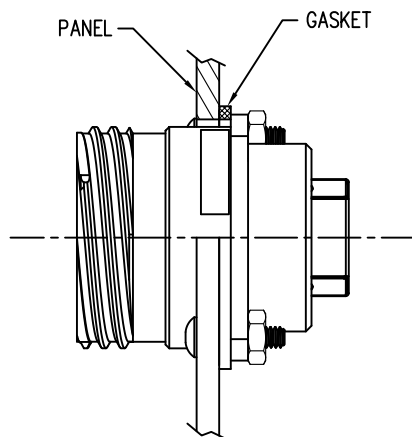
THREADED REAR RECEPTACLE  
IS SUPPLIED WHEN ORDERED  
WITH BACK SHELL



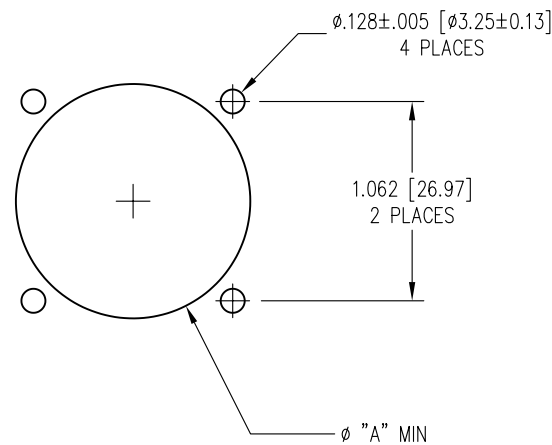
RECEPTACLE CONNECTOR  
(EXPLODED VIEW)



FRONT PANEL  
MOUNTING



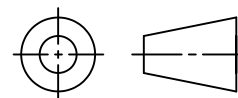
REAR PANEL  
MOUNTING



PANEL CUTOUT  
.125 [3.2] MAX PANEL THICKNESS

TABLE 3 - PANEL CUTOUT	
Panel Mounting Side	"A" Diameter Inches [mm]
Front	1.016 [25.81]
Rear	1.219 [30.96]
If Back Shell is Used When Front Mounting, "A" = 1.219 [30.96]	

THIRD ANGLE PROJECTION



1118 Susquehanna Trail South  
Glen Rock, PA 17327-9199  
(717) 235-7512

<http://www.stewartconnector.com>

DO NOT SCALE DRAWING  
DRAWING IS SUBJECT TO  
CHANGE WITHOUT NOTICE

TITLE: IP68 RECEPTACLE WITH RJ45 INSERT  
SIZE 17 38999 SQUARE FLANGE SHELL

DIMENSIONS: INCHES [METRIC]

THIS DRAWING AND THE SUBJECT MATTER SHOWN THEREON ARE CONFIDENTIAL AND THE PROPRIETARY PROPERTY OF STEWART CONNECTOR AND SHALL NOT BE REPRODUCED, COPIED, OR USED IN ANY MANNER WITHOUT PRIOR WRITTEN CONSENT OF STEWART CONNECTOR. ONE OR MORE U.S. PATENTS MAY APPLY TO THIS PRODUCT. FOR DETAILS, PLEASE VISIT: [HTTP://BELFUSE.COM/STEWART/STEWART\\_PATENTS/](http://BELFUSE.COM/STEWART/STEWART_PATENTS/)

DRN BY: DHG DATE 11-15-16

APPD BY: ADB DATE 12-2-16

SHEET NO. 2 OF 3

DWG NO. CT600171 REV. B1

# SQUARE FLANGE RECEPTACLE CONNECTOR WITH BACK SHELL, SEALING GLAND, AND CORDSET

Part Number	Standard Length (Meters) [Inches]
03	0.3 [11.8]
05	0.5 [19.7]
10	1.0 [39.4]
15	1.5 [59.1]
For Lengths Not Shown Follow Part Number Key Format. Supplied Without Cordset if Designator is Blank	

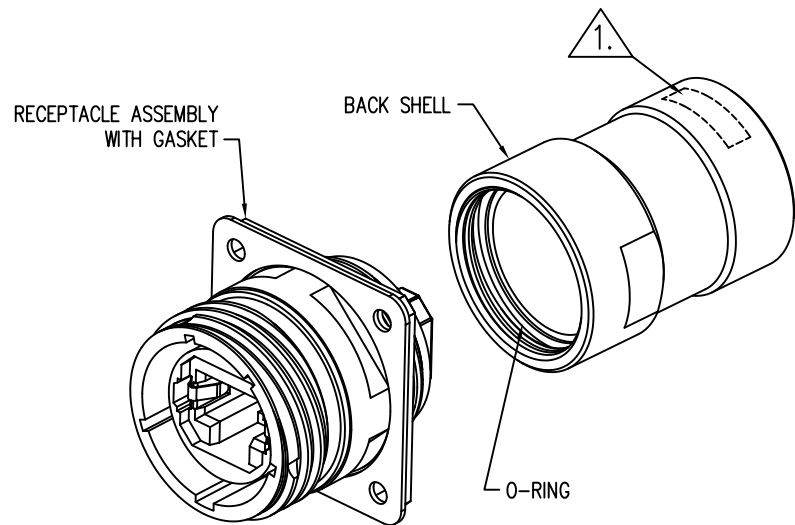
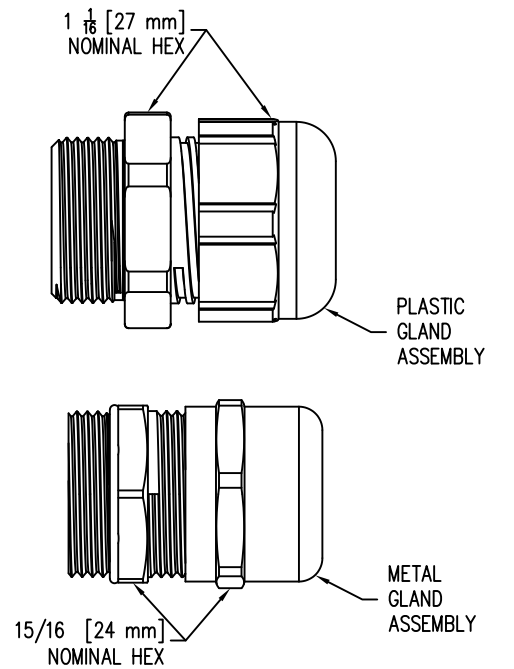
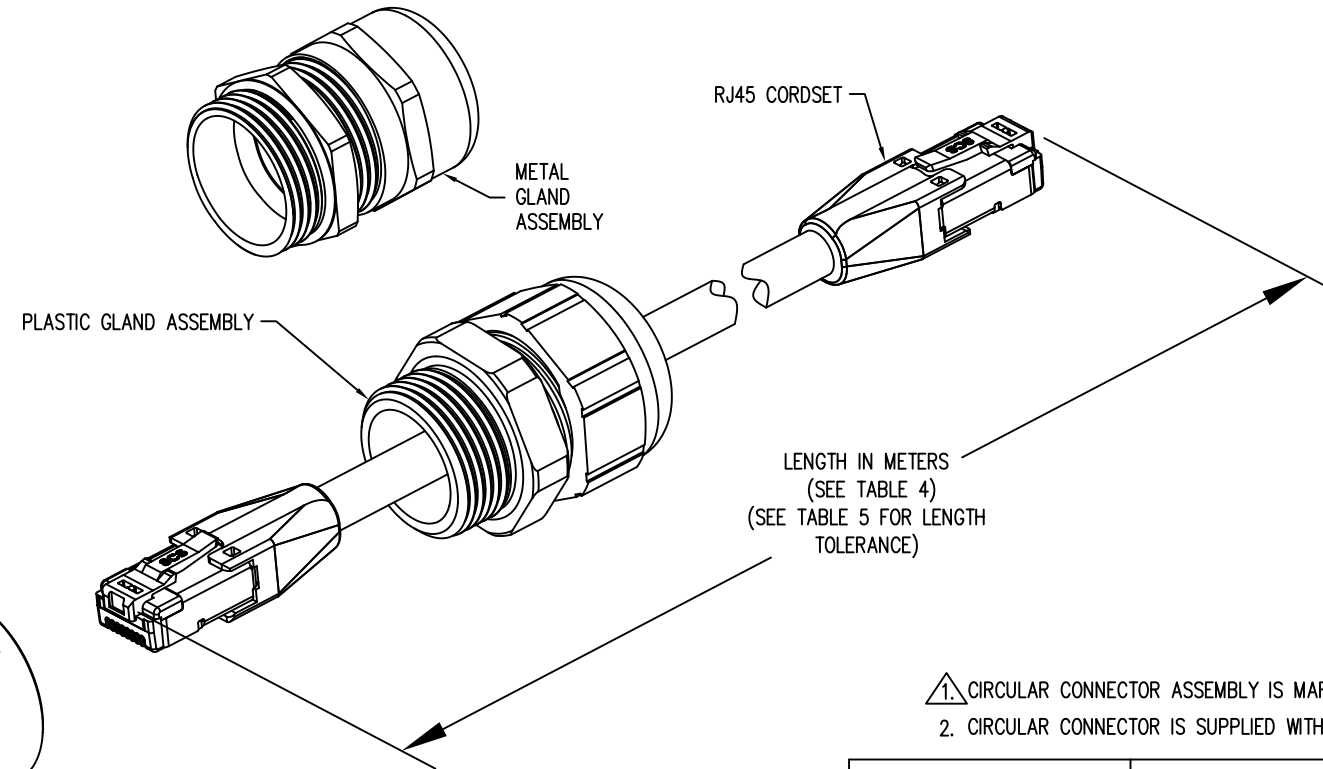
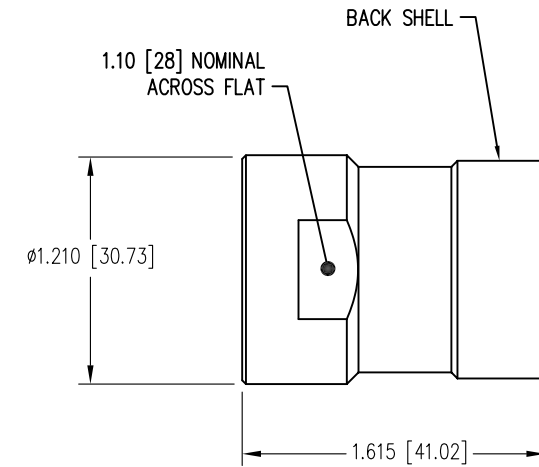
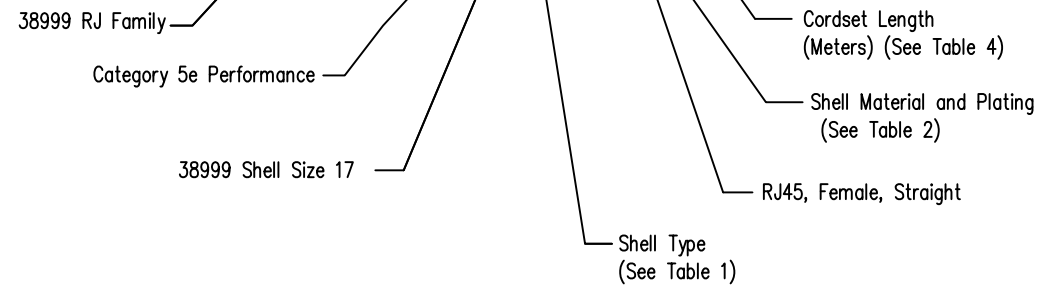
Cordset Length = Meters [inches]	Tolerance = MM [inches]
0.5 [19.7] TO 2.5 [98.4]	+100 [3.90] / -0 [0.00]
3.0 [118] TO 10 [394]	+150 [5.91] / -0 [0.00]

**NOTES:**

- SEALING GLAND RECOMMENDED TORQUE VALUES:  
 PLASTIC GLAND:  
 GLAND TO SHELL = 44.3 In-Lbs [5 Nm]  
 GLAND TO CABLE = 29.2 In-Lbs [3.3 Nm]  
 METAL GLAND:  
 GLAND TO SHELL = 66.4 In-Lbs [7.5 Nm]  
 GLAND TO CABLE = 44.3 In-Lbs [5 Nm]
- BACK SHELL TO RECEPTACLE RECOMMENDED TORQUE:  
 40 TO 50 INCH-POUNDS [4.5 TO 5.6 NEWTON-METERS]

### Part Number Key

**S-RJFTV5E1702BS1G03**



RECEPTACLE CONNECTOR WITH BACK SHELL, GLAND AND CORDSET AS RECEIVED (EXPLODED VIEW)

- CIRCULAR CONNECTOR ASSEMBLY IS MARKED WITH DATE CODE IN THIS AREA.
- CIRCULAR CONNECTOR IS SUPPLIED WITH DUST CAPS.

THIRD ANGLE PROJECTION 	 stewart CONNECTOR a bel group	1118 Susquehanna Trail South Glen Rock, PA 17327-9199 (717) 235-7512 <a href="http://www.stewartconnector.com">http://www.stewartconnector.com</a>
DO NOT SCALE DRAWING DRAWING IS SUBJECT TO CHANGE WITHOUT NOTICE	TITLE: IP68 RECEPTACLE WITH RJ45 INSERT SIZE 17 38999 SQUARE FLANGE SHELL	
DIMENSIONS: INCHES [METRIC]	THIS DRAWING AND THE SUBJECT MATTER SHOWN THEREON ARE CONFIDENTIAL AND THE PROPRIETARY PROPERTY OF STEWART CONNECTOR AND SHALL NOT BE REPRODUCED, COPIED, OR USED IN ANY MANNER WITHOUT PRIOR WRITTEN CONSENT OF STEWART CONNECTOR. ONE OR MORE U.S. PATENTS MAY APPLY TO THIS PRODUCT. FOR DETAILS, PLEASE VISIT: <a href="http://BELFUSE.COM/STEWART/STEWART_PATENTS/">HTTP://BELFUSE.COM/STEWART/STEWART_PATENTS/</a>	DRN BY: DHG      DATE 11-15-16
UNLESS OTHERWISE SPECIFIED TOLERANCES ARE ±.005 [0.13] ANGLES ARE ± 1°		APPD BY: ADB      DATE 12-2-16
SHEET NO. 3 OF 3	DWG NO. CT600171	REV. B1