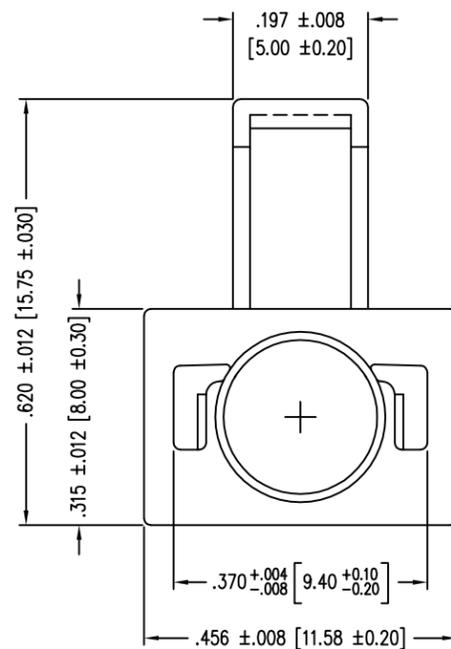
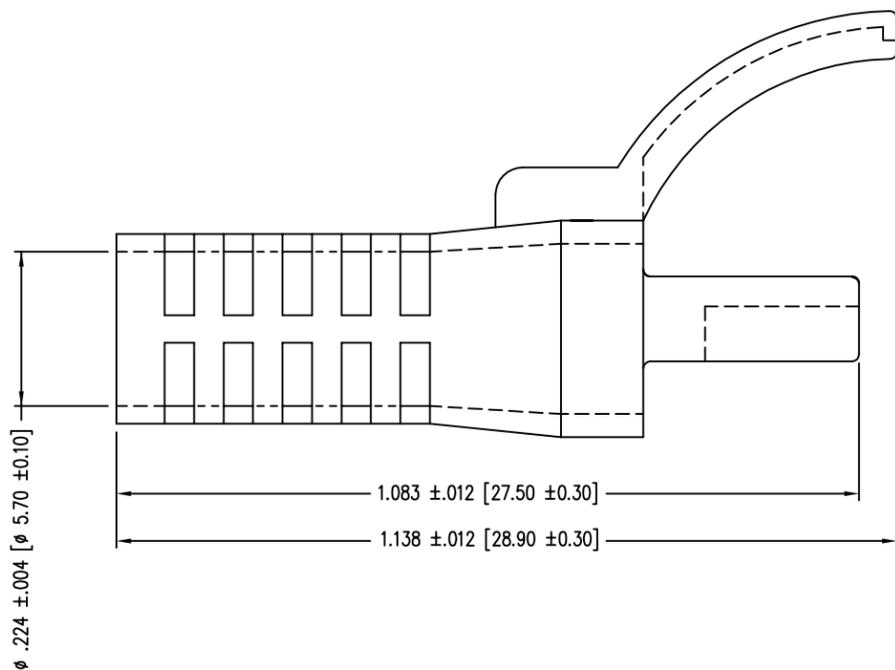
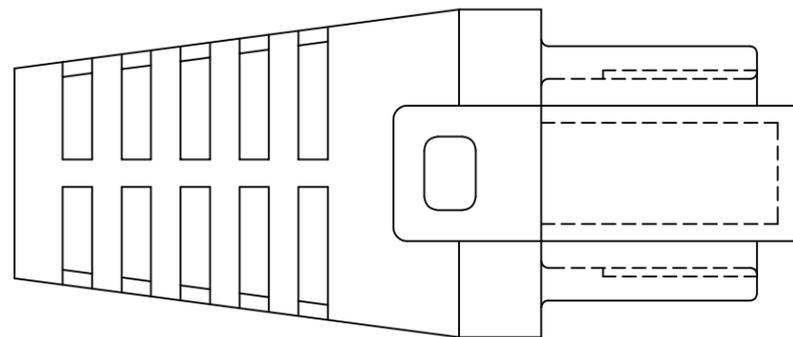


2

1

DATE	REV	ECN	APP'D. BY
10-1-15	A3	10434	TRM
3-30-16	A4	10653	TRM



PART NUMBER	COLOR
450-034	CLEAR
450-035	YELLOW
450-036	WHITE
450-037	RED
450-038	GREEN
450-039	GREY
450-040	BLUE
450-041	BLACK
450-042	ORANGE

NOTES:
1. CONNECTOR MATERIALS:
HOUSING: THERMOPLASTIC

B

B

A

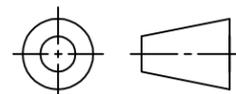
A



11118 Susquehanna Trail South
Glen Rock, PA 17327-9199
(717) 235-7512

<http://www.stewartconnector.com>

THIRD ANGLE PROJECTION



TITLE
EXTERNAL STRAIN RELIEF BOOT

UNLESS OTHERWISE SPECIFIED
DIMENSIONS ARE IN INCHES

TOLERANCES ARE:
ANGLES $\pm 1^\circ$
2 PLC. DEC. $\pm .010''$
3 PLC. DEC. $\pm .003''$
4 PLC. DEC. $\pm .0005''$
DO NOT SCALE DRAWING

DRN BY: S.M. Neal DATE 12-4-12

CHKD BY: K.A. Crawford DATE 12-4-12

APPD BY: D.R. Imschweiler DATE 12-4-12

SHEET 1 OF 1 SCALE 1 : 1 REV. A4

THIS DRAWING AND THE SUBJECT MATTER SHOWN THEREON ARE CONFIDENTIAL AND THE PROPRIETARY PROPERTY OF STEWART CONNECTOR AND SHALL NOT BE REPRODUCED, COPIED, OR USED IN ANY MANNER WITHOUT PRIOR WRITTEN CONSENT OF STEWART CONNECTOR. ONE OR MORE U.S. PATENTS MAY APPLY TO THIS PRODUCT. FOR DETAILS, PLEASE VISIT: [HTTP://BELFUSE.COM/STEWART/STEWART_PATENTS/](http://BELFUSE.COM/STEWART/STEWART_PATENTS/)

TOOL NUMBER -

PART NUMBER See Chart

DRAWING NUMBER CT999096

AutoCAD B Size

1