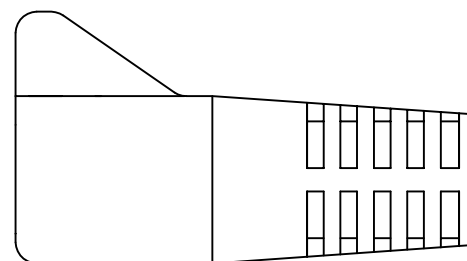
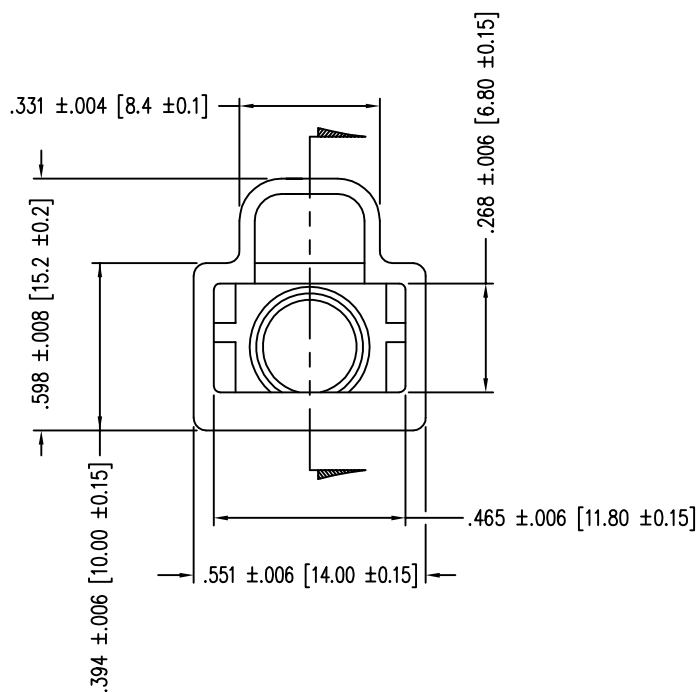
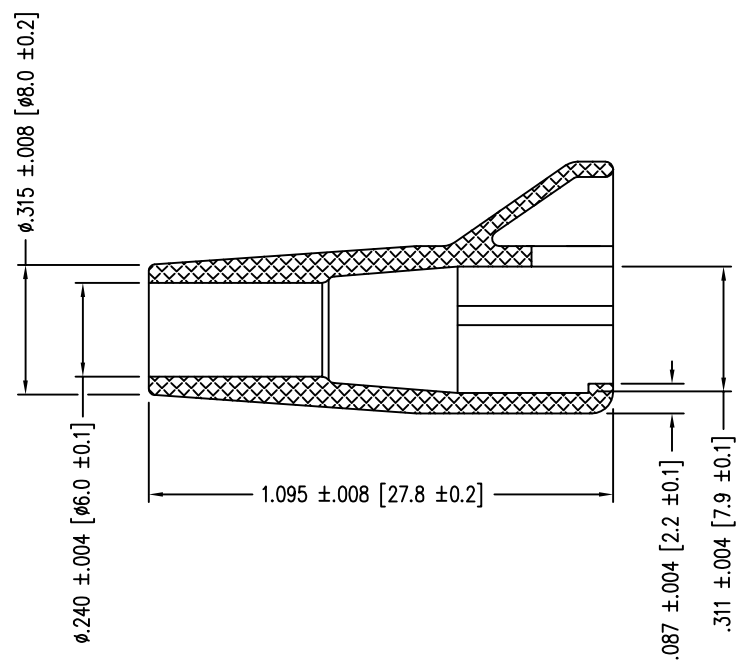
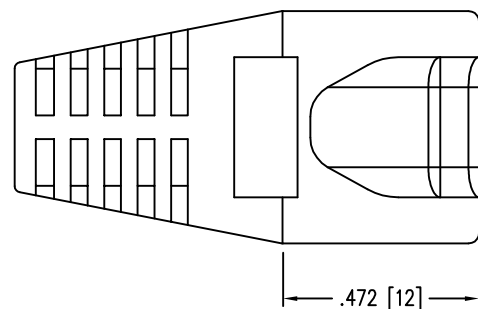


DATE	REV	ECN	APP'D. BY
1-20-15	B4	10229	TRM
3-30-16	B5	10653	TRM



PART NUMBER	COLOR
450-023	YELLOW
450-024	CLEAR
450-025	BLACK
450-026	GREEN
450-027	BLUE
450-028	LIGHT GREY
450-029	DARK GREY
450-030	PURPLE
450-031	WHITE
450-032	RED
450-044	ORANGE

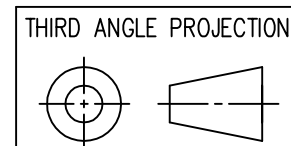
MATERIAL: THERMOPLASTIC UL94 V-0

B

B

A

A



1118 Susquehanna Trail South
 Glen Rock, PA 17327-9199
 (717) 235-7512
<http://www.stewartconnector.com>

DO NOT SCALE DRAWING
 DRAWING IS SUBJECT TO
 CHANGE WITHOUT NOTICE

TITLE: EXTERNAL STRAIN RELIEF BOOT

DIMENSIONS: INCHES [METRIC]
 UNLESS OTHERWISE SPECIFIED
 TOLERANCES ARE $\pm .005 [0.13]$
 ANGLES ARE $\pm 1^\circ$

THIS DRAWING AND THE SUBJECT MATTER SHOWN THEREON
 ARE CONFIDENTIAL AND THE PROPRIETARY PROPERTY OF
 STEWART CONNECTOR AND SHALL NOT BE REPRODUCED,
 COPIED, OR USED IN ANY MANNER WITHOUT PRIOR WRITTEN
 CONSENT OF STEWART CONNECTOR. ONE OR MORE U.S. PATENTS
 MAY APPLY TO THIS PRODUCT. FOR DETAILS, PLEASE
 VISIT: [HTTP://BELFUSE.COM/STEWART/STEWART_PATENTS/](http://BELFUSE.COM/STEWART/STEWART_PATENTS/)

DRN BY:	TRM	DATE	6-28-04
CKD BY:	DHG	DATE	6-29-04
APPD BY:	TRM	DATE	6-29-04
DWG NO.	CT999007	REV.	B5

SHEET NO. 1 OF 1

