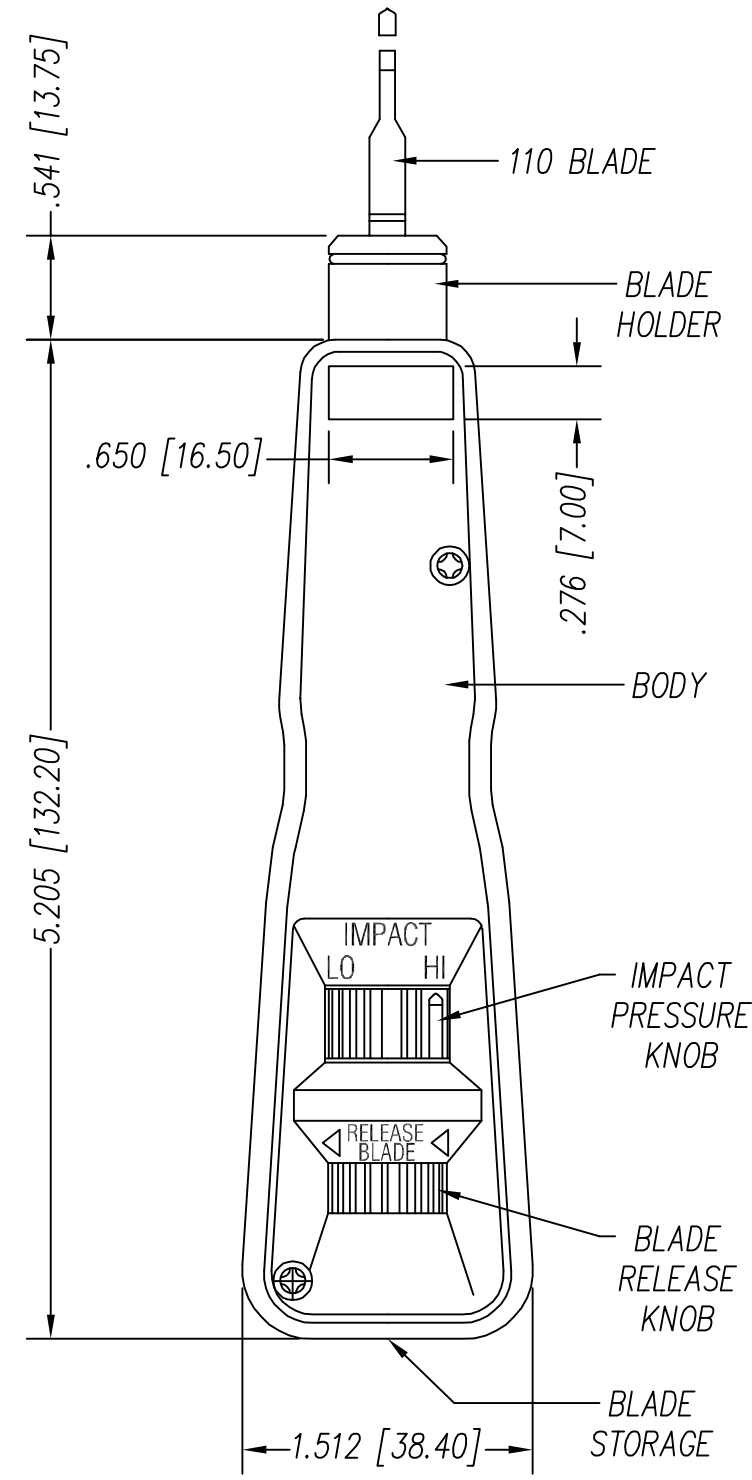


DATE	REV	ECN	APP'D. BY
3-9-17	A0	-	-



NOTES:
 LENGTH: 6.7" [171±3mm]
 WEIGHT: 140G
 MATERIAL-
 BODY: ABS RESIN
 BLADE: SAE 4140 STEEL

2940260-01
 PART NUMBER

THIRD ANGLE PROJECTION 		1118 Susquehanna Trail South Glen Rock, PA 17327-9199 (717) 235-7512 http://www.stewartconnector.com
DO NOT SCALE DRAWING DRAWING IS SUBJECT TO CHANGE WITHOUT NOTICE	TITLE: PUNCH DOWN TOOL 1110-T4 (Q2615)	
DIMENSIONS: INCHES [METRIC]	THIS DRAWING AND THE SUBJECT MATTER SHOWN THEREON ARE CONFIDENTIAL AND THE PROPRIETARY PROPERTY OF STEWART CONNECTOR AND SHALL NOT BE REPRODUCED, COPIED, OR USED IN ANY MANNER WITHOUT PRIOR WRITTEN CONSENT OF STEWART CONNECTOR. THE SUBJECT MATTER MAY BE PATENTED OR A PATENT MAY BE PENDING.	DRN BY: TRM DATE 3-9-17
UNLESS OTHERWISE SPECIFIED TOLERANCES ARE ±.005 [0.13] ANGLES ARE ± 1°		APPD BY: DHG DATE 3-9-17
SHEET NO. 1 OF 1	DWG NO. CT290005	REV. A0

B

B

A

A