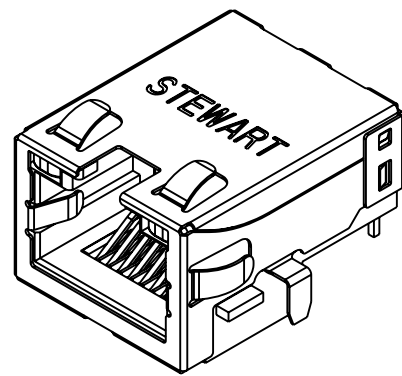
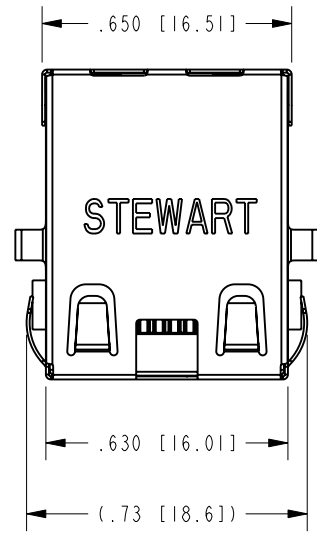
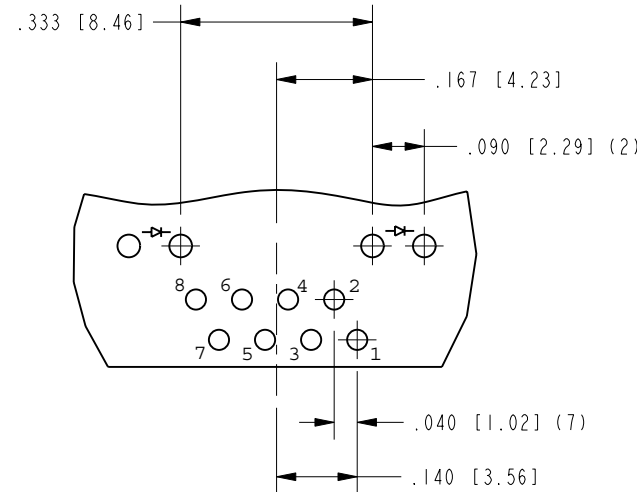
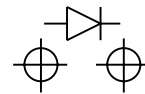


DATE	REV.	ECN	APP'D BY
03-25-19	X0	-	RC
08-08-19	A0	-	ADB
08-15-19	A1	11436	ADB
01-02-20	A2	11490	JE
5-15-20	A3	11552	JE



ISOMETRIC VIEW

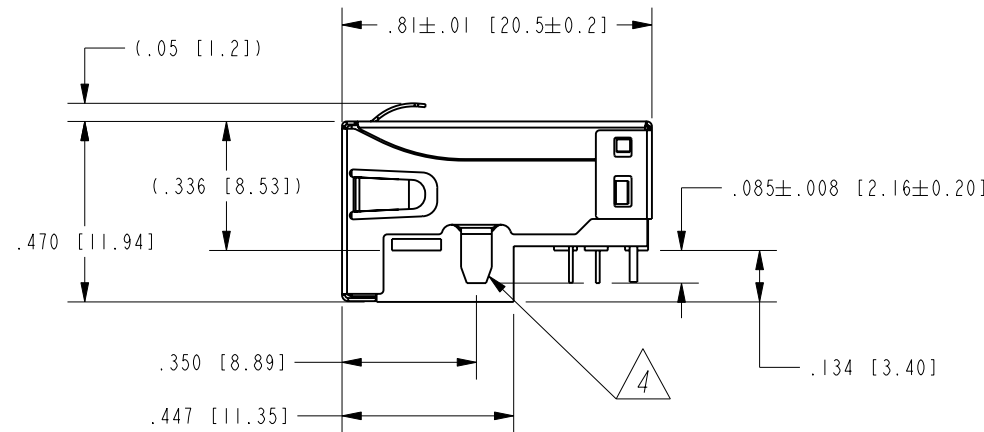
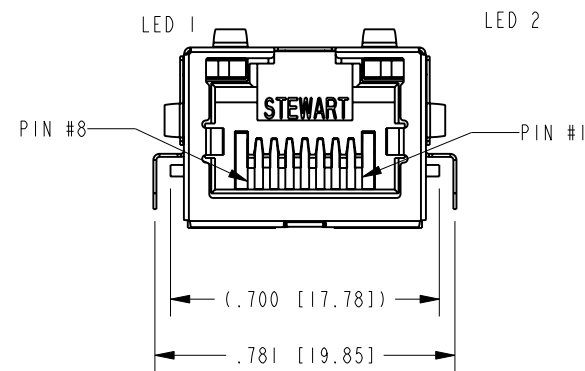
LED POLARITY (ENLARGED VIEW)



DETAIL A SCALE 3.000

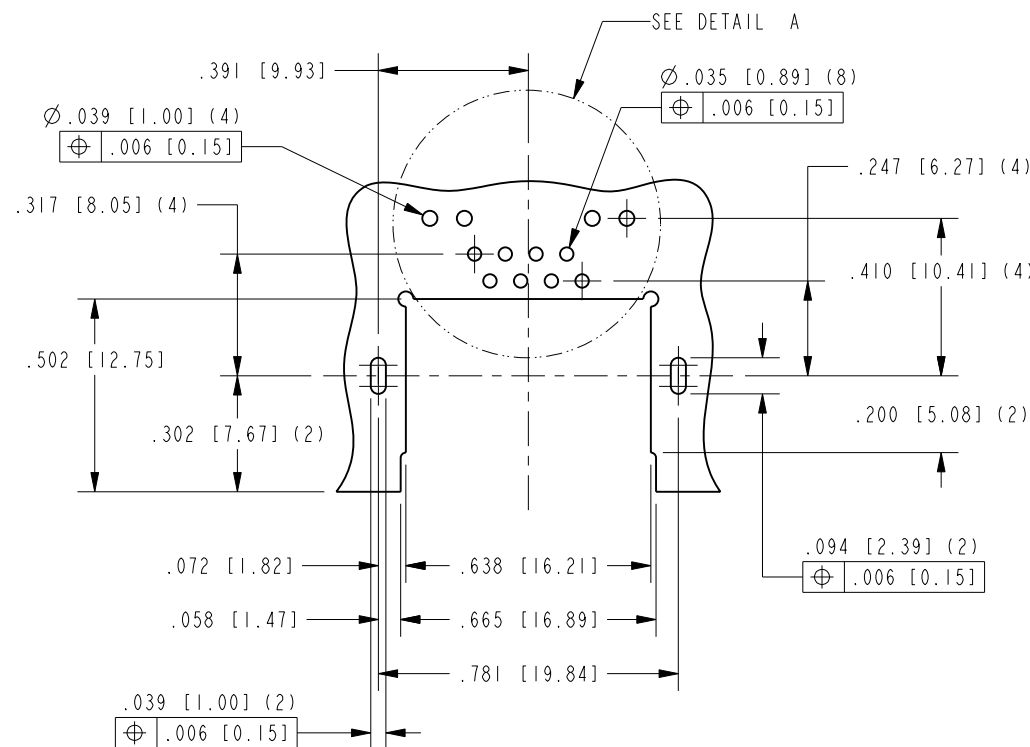
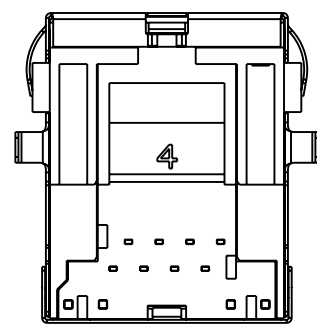
AVAILABLE LED SPECIFICATIONS			
STANDARD LED	WAVELENGTH	FORWARD V (MAX)	*(TYP)
YELLOW	590 nm	2.5 V	2.1 V
GREEN	565 nm	2.5 V	2.2 V

\*WITH A FORWARD CURRENT OF 20 mA (TYP)



NOTES:

- CONNECTOR MATERIALS:  
HOUSING: HALOGEN FREE THERMOPLASTIC UL94 V-0  
CONTACTS: COPPER ALLOY  
SHIELD: STAINLESS STEEL  
CONTACT PLATING: SELECTIVE GOLD IN CONTACT AREA (SEE CHART FOR PART NUMBER)  
MATTE TIN PLATED SOLDER TAILS
- FOR PRODUCT SPECIFICATIONS SEE PRO22-01.
- DIMENSIONS AND TOLERANCES COMPLY WITH TIA-1096 STANDARD.
- SHIELD LEADS (2) ARE TIN DIPPED TO .010 MIN ABOVE TOP SURFACE OF PRINTED CIRCUIT BOARD SEATING PLANE.
- DESIGNED FOR CATEGORY 5/5E APPLICATIONS.

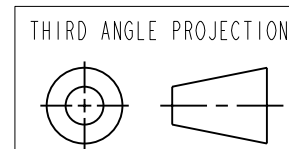


P.C.B. RECOMMENDED HOLE LAYOUT  
SEEN FROM COMPONENT SIDE  
ALL CENTERLINE DIMENSIONS ARE BASIC

RoHS



50 MICRO-INCHES [1.27um]	YELLOW	GREEN	SS-74800-139
CONTACT PLATING IN MATING AREA	LED 1	LED 2	PART NUMBER



DO NOT SCALE DRAWING  
DRAWING IS SUBJECT TO CHANGE WITHOUT NOTICE

DIMENSIONS: INCHES [METRIC]  
UNLESS OTHERWISE SPECIFIED TOLERANCES ARE ±.005 [0.13] ANGLES ARE ±1°  
SHEET NO. 1 OF 1



11118 Susquehanna Trail South  
Glen Rock, PA 17327-9199  
(717) 235-7512  
<http://www.stewartconnector.com>

TITLE: RJ45 SINGLE PORT MIDPLANE JACK WITH YELLOW/GREEN LEDS, HALOGEN FREE MAERIAL

DRN BY: ADB	DATE: 03-22-19
APPD BY: RC	DATE: 03-25-19
DWG. NO. CT740265	REV. A3