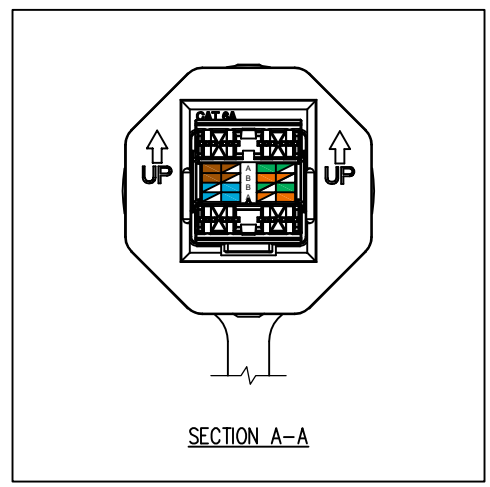
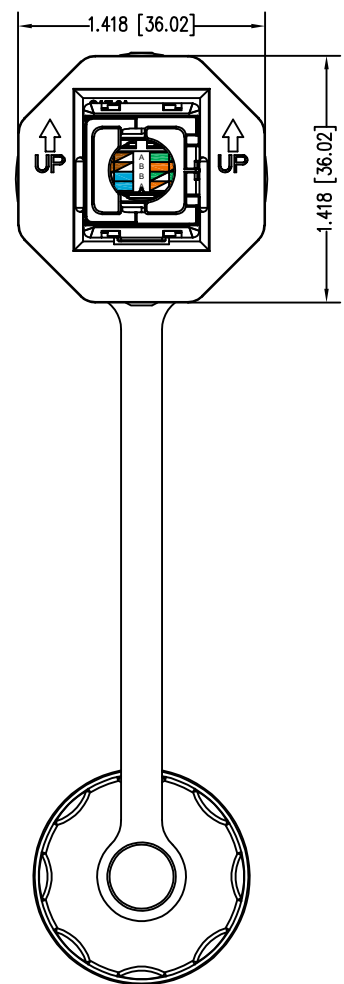
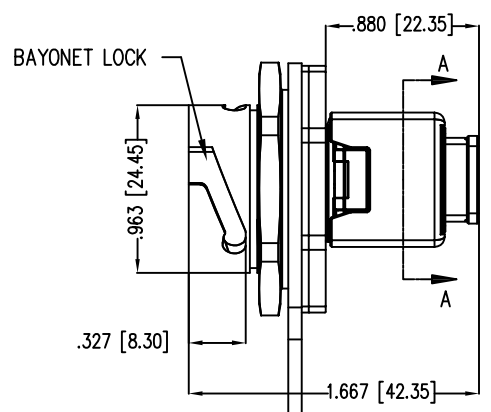
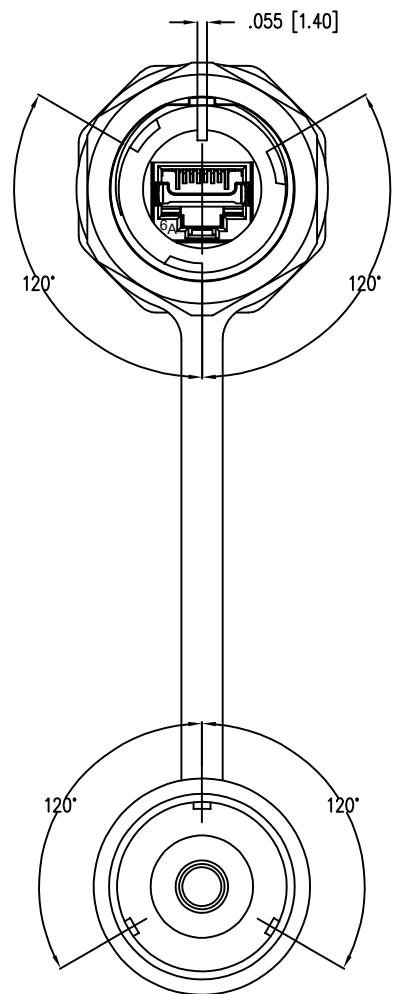
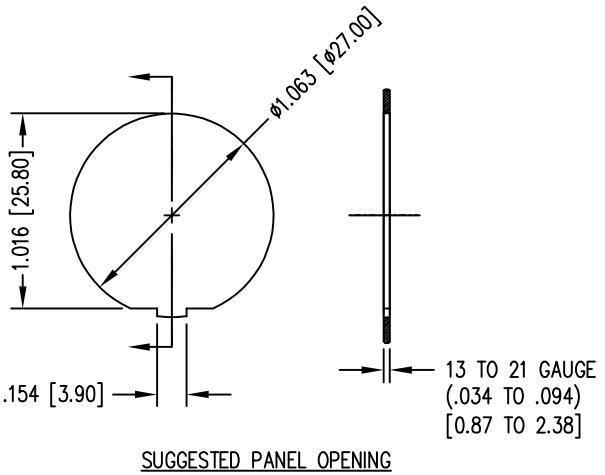
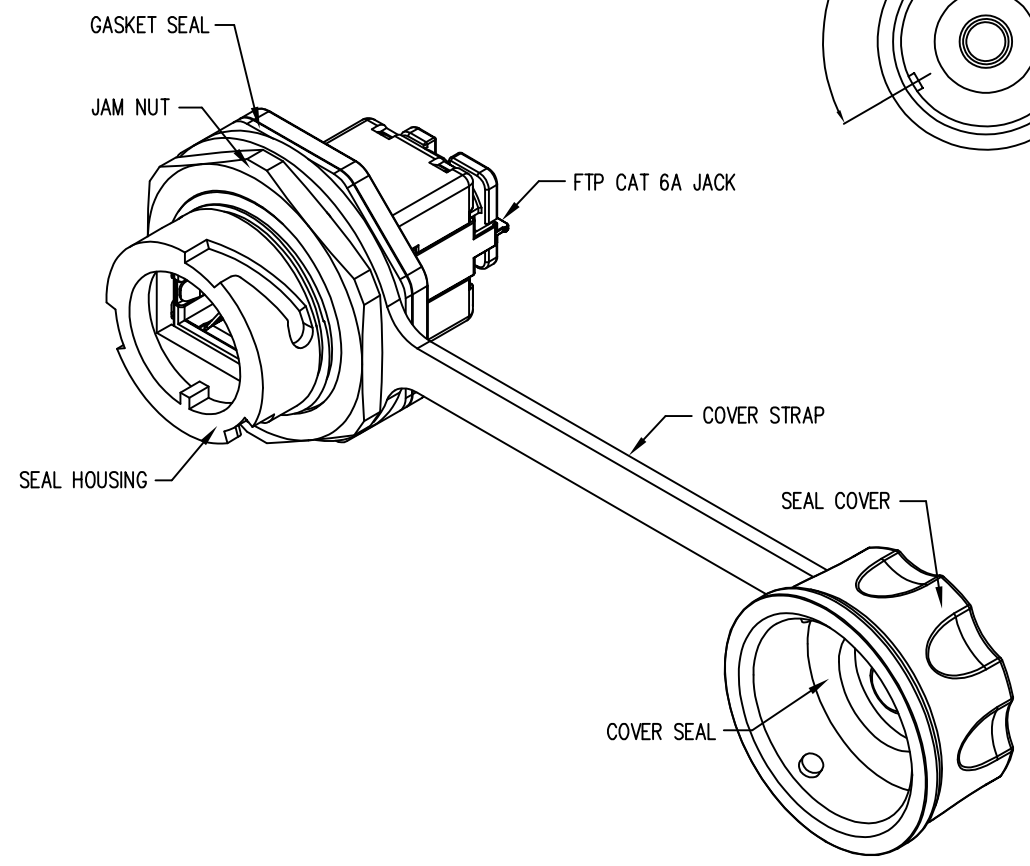
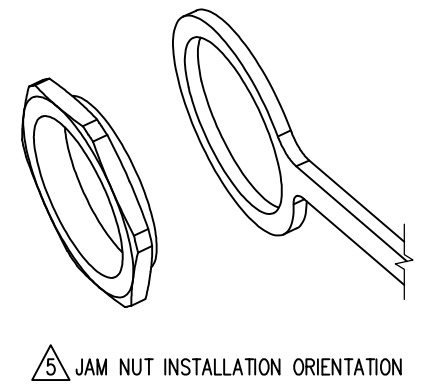


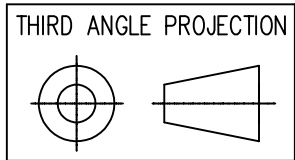
DATE	REV	ECN	APP'D. BY
06/10/20	A0	-	JME
09/16/20	A1	11615	BTS



- NOTES:
- CONNECTOR MATERIALS:
HOUSING: THERMOPLASTIC UL94 V-0, ZINC ALLOY (FULL SHIELD)
CONTACTS: COPPER ALLOY, TIN PLATED
CONTACT PLATING: SELECTIVE GOLD OR EQUIVALENT
IN THE CONTACT AREA
SEE CHART FOR PART NUMBER
IDC: PHOSPHOR BRONZE ALLOY, 100μ TIN ALLOY PLATING
 - JACK DIMENSIONS AND TOLERANCES COMPLY WITH TIA-1096 STANDARD.
 - DESIGNED FOR CATEGORY 6A APPLICATIONS.
 - INTERNATIONAL PROTECTION CODE MEETS IP67.
- ⚠ FOR INSTALLATION, PLACE PANEL SEAL ON REAR SIDE OF PANEL. IF USING THE COVER STRAP, ENSURE STRAP OPENING IS ENCLOSED BY THE FLANGE OF THE NUT, AND NOT PINCHED. TIGHTEN NUT TO 26 TO 44 INCH-POUNDS [3 TO 5 NEWTON-METERS].



50 MICRO-INCHES [1.27um]	SS-60400-029
CONTACT PLATING IN MATING AREA	PART NUMBER



1118 Susquehanna Trail South
Glen Rock, PA 17327-9199
(717) 235-7512
<http://www.stewartconnector.com>

DO NOT SCALE DRAWING
DRAWING IS SUBJECT TO CHANGE WITHOUT NOTICE

DIMENSIONS: INCHES [METRIC]
UNLESS OTHERWISE SPECIFIED
TOLERANCES ARE ±.005 [0.13]
ANGLES ARE ± 1°

SHEET NO. 1 OF 1

TITLE: INDUSTRIAL PUNCH DOWN JACK IP67 (FTP), CAT 6A, SHIELDED WITH PLASTIC HOUSING

THIS DRAWING AND THE SUBJECT MATTER SHOWN THEREON ARE CONFIDENTIAL AND THE PROPRIETARY PROPERTY OF STEWART CONNECTOR AND SHALL NOT BE REPRODUCED, COPIED, OR USED IN ANY MANNER WITHOUT PRIOR WRITTEN CONSENT OF STEWART CONNECTOR. ONE OR MORE U.S. PATENTS MAY APPLY TO THIS PRODUCT. FOR DETAILS, PLEASE VISIT: [HTTP://BELFUSE.COM/STEWART/STEWART_PATENTS/](http://BELFUSE.COM/STEWART/STEWART_PATENTS/)

DRN BY: BTS	DATE: 06/09/20
APPD BY: JME	DATE: 06/10/20
DWG NO. CT600246	REV. A1

