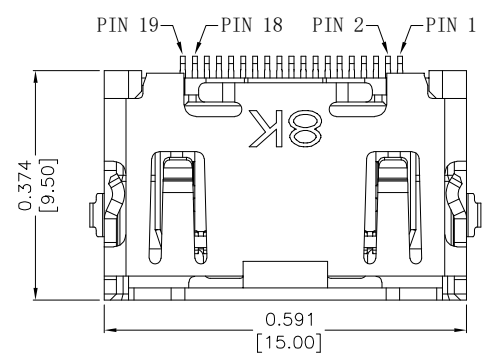
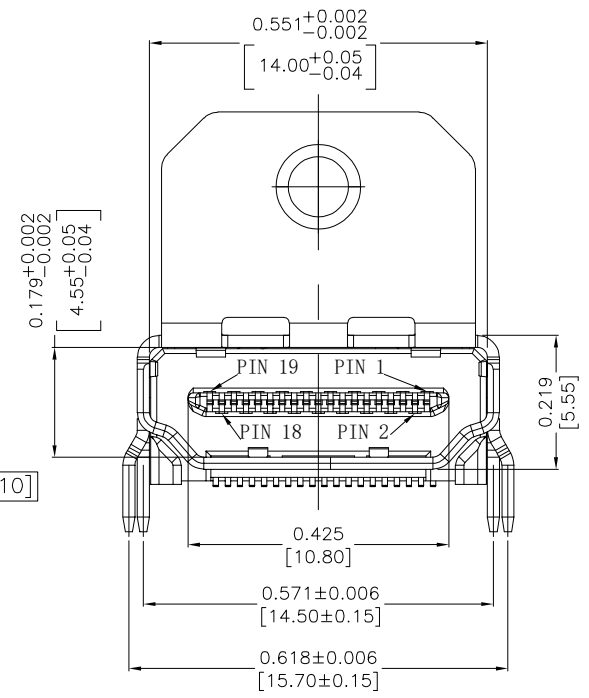
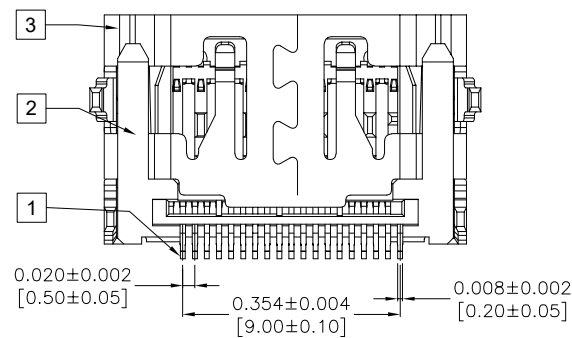


Category 3 Type A Connector PIN Assignment

PIN	Signal Assignment
1	Data2+
3	Data2-
5	Data1 Shield
7	Data0+
9	Data0-
11	Data3 Shield
13	CEC
15	SCL
17	DDC/CEC Ground
19	Hot Plug Detect

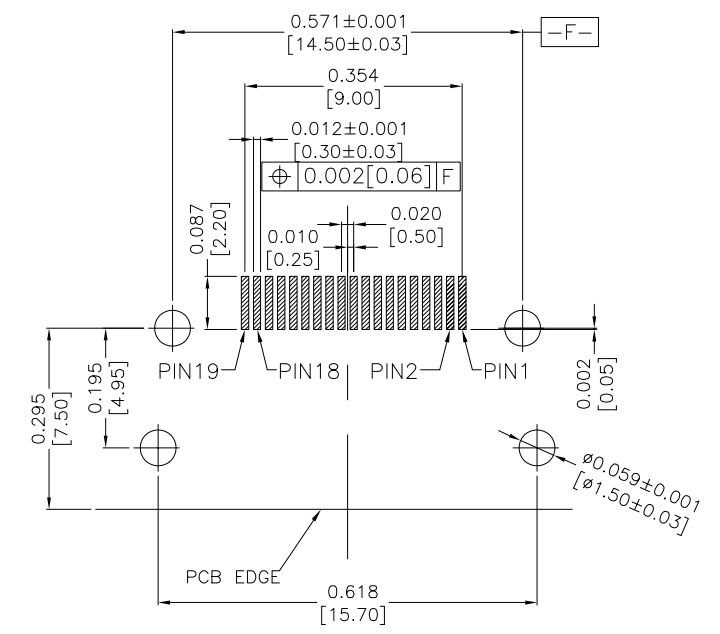
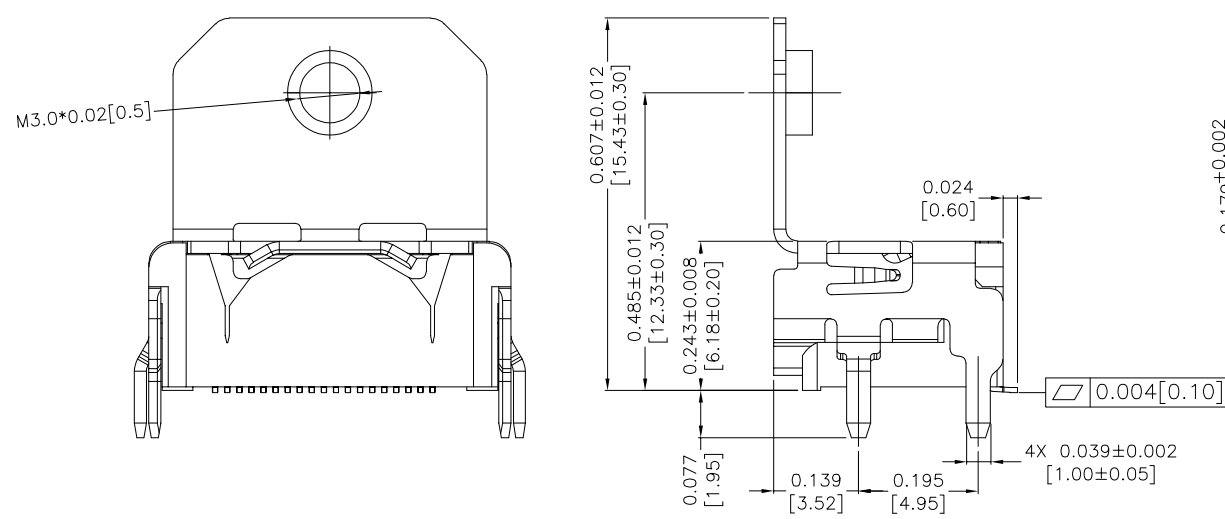
PIN	Signal Assignment
2	Data2 Shield
4	Data1+
6	Data1-
8	Data0 Shield
10	Data3+
12	Data3-
14	Utility
16	SDA
18	+5V Power

DATE	REV	ECN	APP'D. BY
05-12-23	A0	12156	GL
---	---	-----	---
---	---	-----	---



NOTES:

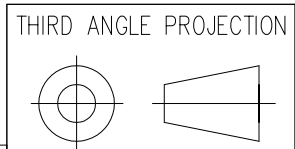
- MATERIAL:
SHELL: BRASS
INSERT: LCP, HIGH TEMP. THERMOPLASTIC, UL 94V-0
COLOR: BLACK
CONTACT: COPPER ALLOY, THK = .008 [0.20]
- FINISH:
SHELL: 50u" MIN NICKEL PLATED
CONTACT: 30u" GOLD PLATING ON CONTACT AREA
SOLDER TAILS: TIN PLATED
- MECHANICAL CHARACTERISTICS
INSERTION FORCE: 9.91 lbf [44.1N] MAX
EXTRACTION FORCE: 2.2 lbf [9.8N] MIN, 8.81 lbf [39.2N] MAX
MATING CYCLE: 10,000 CYCLES
- ELECTRICAL CHARACTERISTICS
CURRENT RATING: 0.5A
VOLTAGE RATING: 40V AC
CONTACT RESISTANCE: 10 MILLIOHMS MAX (EXCLUDING CONDUCTOR RESISTANCE)
INSULATION RESISTANCE:
UNMATED: 100M OHMS MIN AT 500V DC
MATED: 10M OHMS MIN AT 150V DC
DIELECTRIC WITHSTANDING VOLTAGE: 500V AC/1-MINUTE
OPERATING TEMPERATURE: -20°C TO +85°C



Recommended pcb layout connector side(top view)



P/N	CONTACT PLATING IN MATING AREA	PACKAGING
SS-53200-002	30 uIN Au	TRAY



THIRD ANGLE PROJECTION

DO NOT SCALE DRAWING
DRAWING IS SUBJECT TO CHANGE WITHOUT NOTICE

DIMENSIONS: INCHES [METRIC]

UNLESS OTHERWISE SPECIFIED TOLERANCES SHOWN IN TABLE

SHEET NO. 1 OF 1



1118 Susquehanna Trail South
Glen Rock, PA 17327-9199
(717) 235-7512
<http://www.stewartconnector.com>

TITLE: HDMI-2.1 JACK, RIGHT ANGLE, WITH FLANGE

THIS DRAWING AND THE SUBJECT MATTER SHOWN THEREON ARE CONFIDENTIAL AND THE PROPRIETARY PROPERTY OF STEWART CONNECTOR AND SHALL NOT BE REPRODUCED, COPIED, OR USED IN ANY MANNER WITHOUT PRIOR WRITTEN CONSENT OF STEWART CONNECTOR. ONE OR MORE U.S. PATENTS MAY APPLY TO THIS PRODUCT. FOR DETAILS, PLEASE VISIT: [HTTP://BELFUSE.COM/STEWART/STEWART_PATENTS/](http://BELFUSE.COM/STEWART/STEWART_PATENTS/)

DRN BY: BR	DATE: 04-19-23
APPD BY: JE	DATE: 05-12-23
DWG NO. CT530006	REV. A0