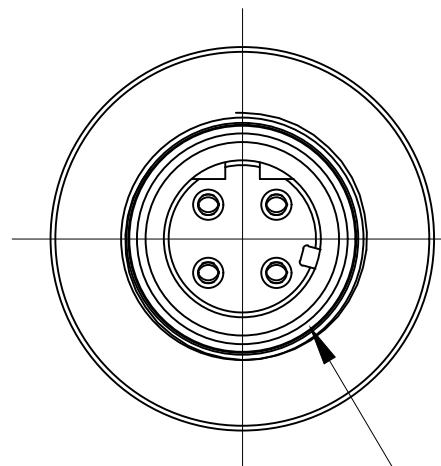
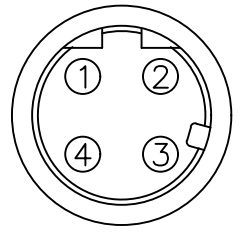


DATE	REV	ECN	APP'D. BY
09-26-24	A0	12441	GWL

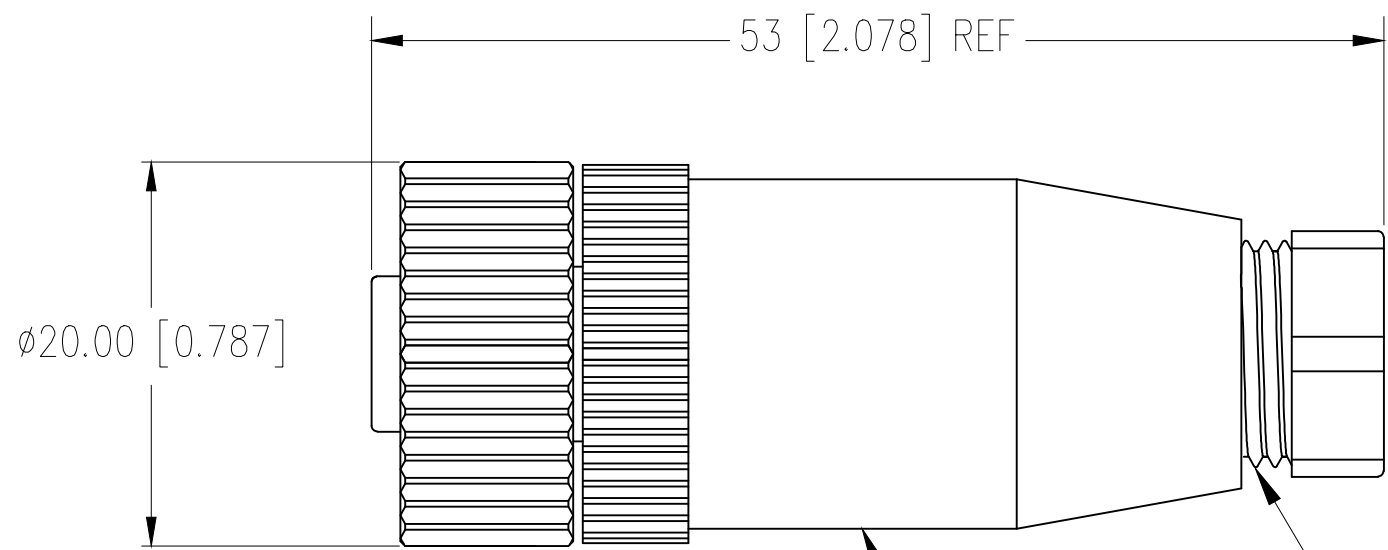


M12X1

PIN ASSIGNMENTS,
FRONT VIEW



D-CODE, 4-PIN

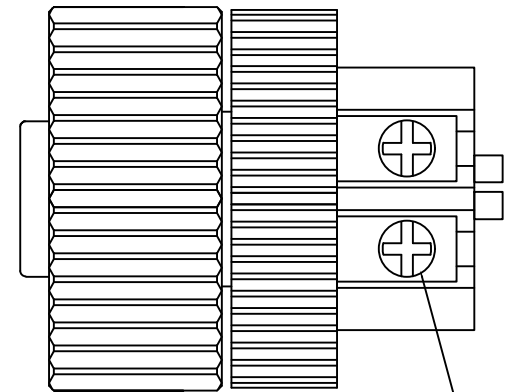


∅20.00 [0.787]

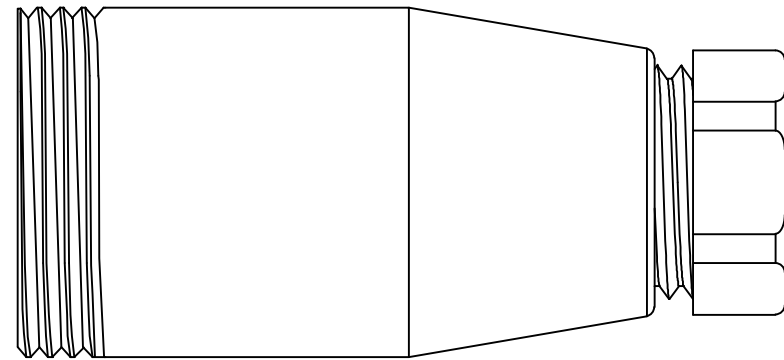
53 [2.078] REF

PG7 CABLE GLAND

OUTER SHELL



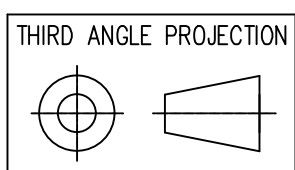
SCREW TERMINATION



- NOTES:
- MATERIALS AND FINISHES
INSULATOR: NYLON, UL94 V-0
CONTACT: BRASS, GOLD OVER NICKEL PLATING
COUPLING SCREW: BRASS, NICKEL PLATING
OUTER SHELL: NYLON, BLACK
 - WATERPROOF RATING: IP67
 - CURRENT RATING: 4.0A
 - VOLTAGE RATING: 250VAC/VDC
 - CONTACT RESISTANCE: 10mΩ MAX.
 - INSULATION RESISTANCE: 100MΩ MIN. AT 500VDC
 - DIELECTRIC WITHSTANDING VOLTAGE: 500VAC/MIN. PIN-TO-PIN AND PIN-TO-SHIELD
 - OPERATING TEMPERATURE RANGE: -25°C TO +85°C
 - DURABILITY: 200 CYCLES
 - APPLICABLE CABLE OD: ∅4.0-6.0mm
 - APPLICABLE WIRE GAUGE: 20-22AWG



TOLERANCES UNLESS OTHERWISE SPECIFIED	
.XX [.XXX]	±0.25 [.010]
.X [.XX]	±0.3 [.012]
X [.X]	±1 [.04]
ANG	±3°



DO NOT SCALE DRAWING
DRAWING IS SUBJECT TO
CHANGE WITHOUT NOTICE

DIMENSIONS: MILLIMETERS [INCHES]

SHEET NO. 1 OF 1



1118 Susquehanna Trail South
Glen Rock, PA 17327-9199
(717) 235-7512
<http://www.stewartconnector.com>

TITLE: M12 D-CODE FEMALE SOCKET, FIELD TERMINATED, 4-PIN, SCREW VERSION

THIS DRAWING AND THE SUBJECT MATTER SHOWN THEREON ARE CONFIDENTIAL AND THE PROPRIETARY PROPERTY OF STEWART CONNECTOR AND SHALL NOT BE REPRODUCED, COPIED, OR USED IN ANY MANNER WITHOUT PRIOR WRITTEN CONSENT OF STEWART CONNECTOR. ONE OR MORE U.S. PATENTS MAY APPLY TO THIS PRODUCT. FOR DETAILS, PLEASE VISIT: [HTTP://BELFUSE.COM/STEWART/STEWART_PATENTS/](http://BELFUSE.COM/STEWART/STEWART_PATENTS/)

DRN BY:	KAW	DATE	09-13-24
APPD BY:	GWL	DATE	09-26-24
DWG NO.	CT120040	REV.	A0

SS-12300-006
PART NUMBER