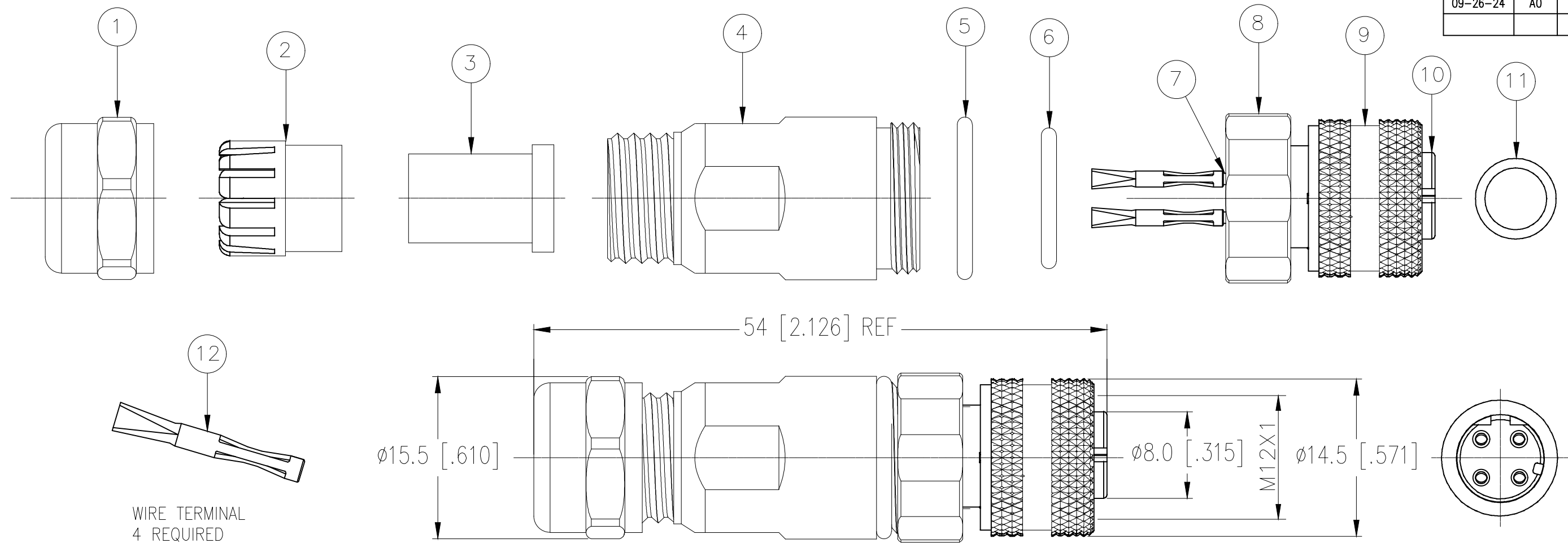
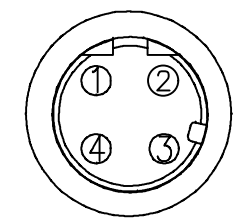


DATE	REV	ECN	APP'D. BY
09-26-24	A0	12441	GWL



- NOTES:
1. MATERIALS AND FINISHES: SEE TABLE.
 2. WATERPROOF RATING: IP67
 3. CURRENT RATING: 4.0A
 4. VOLTAGE RATING: 250VAC/VDC
 5. CONTACT RESISTANCE: 5mΩ MAX.
 6. INSULATION RESISTANCE: 100MΩ MIN. AT 500VDC
 7. DIELECTRIC WITHSTANDING VOLTAGE: 500VAC/MIN. PIN-TO-PIN AND PIN-TO-SHIELD
 8. OPERATING TEMPERATURE RANGE: -40°C TO +100°C
 9. DURABILITY: 200 CYCLES
 10. APPLICABLE CABLE OD: 4.0-6.5mm
 11. APPLICABLE WIRE GAUGE: 20-22AWG
 12. SEE MN120004 FOR TERMINATION INSTRUCTIONS.

PIN ASSIGNMENTS, FRONT VIEW



D-CODE, 4-PIN

SS-12300-004
PART NUMBER

ITEM	DESCRIPTION	MATERIAL	FINISH	QTY
1	SEALING NUT	BRASS	NICKEL	1
2	CLAMP RING	PC, GRAY		1
3	SEAL	EPDM, BLACK		1
4	SCREW NUT	BRASS	60μIN NICKEL	1
5	O-RING	SILICONE, BLACK		1
6	O-RING	SILICONE, RED		1
7	MALE PIN	BRASS	GOLD FLASH OVER NICKEL	4
8	LOCK	BRASS	60μIN NICKEL	1
9	SCREW NUT	BRASS	60μIN NICKEL	1
10	INSULATOR	PA66-GF, BLACK		1
11	O-RING	SILICONE, RED		1
12	TERMINAL	PHOSPHOR COPPER	CONTACT SURFACES: 0.8μIN MIN. GOLD ALL SURFACES: 50-80μIN NICKEL	4



TOLERANCES UNLESS OTHERWISE SPECIFIED	
.XX	±0.20
.X	±0.3
X.	±1
ANG	±3°

THIRD ANGLE PROJECTION
DO NOT SCALE DRAWING DRAWING IS SUBJECT TO CHANGE WITHOUT NOTICE
DIMENSIONS: MILLIMETERS [INCHES]
SHEET NO. 1 OF 1



TITLE: M12 D-CODE FEMALE SOCKET, FIELD TERMINATED, 4-PIN, CRIMP VERSION		1118 Susquehanna Trail South Glen Rock, PA 17327-9199 (717) 235-7512 http://www.stewartconnector.com	
DRN BY: KAW	DATE: 09-12-24	APPD BY: GWL	DATE: 09-26-24
DWG NO. CT120038	REV. A0	THIS DRAWING AND THE SUBJECT MATTER SHOWN THEREON ARE CONFIDENTIAL AND THE PROPRIETARY PROPERTY OF STEWART CONNECTOR AND SHALL NOT BE REPRODUCED, COPIED, OR USED IN ANY MANNER WITHOUT PRIOR WRITTEN CONSENT OF STEWART CONNECTOR. ONE OR MORE U.S. PATENTS MAY APPLY TO THIS PRODUCT. FOR DETAILS, PLEASE VISIT: HTTP://BELFUSE.COM/STEWART/STEWART_PATENTS/	