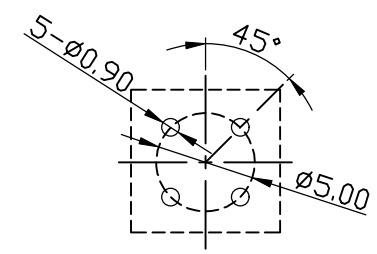
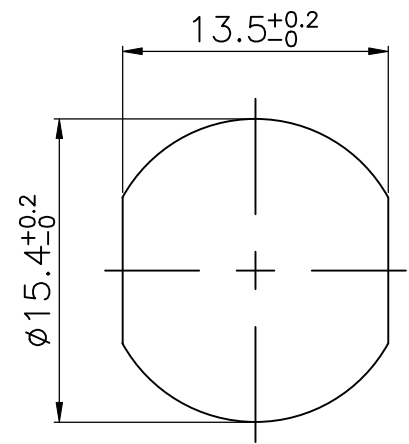
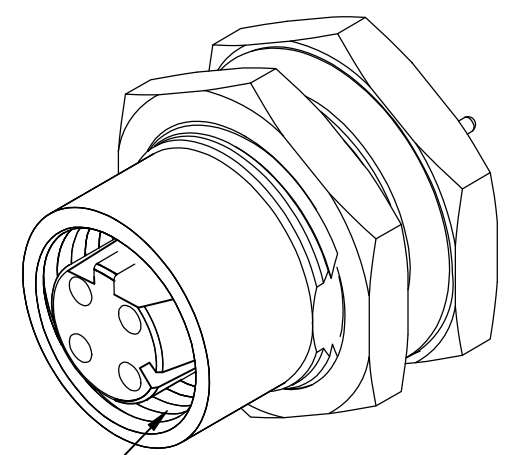


DATE	REV	ECN	APP'D. BY
06-15-23	A0	12160	GWL



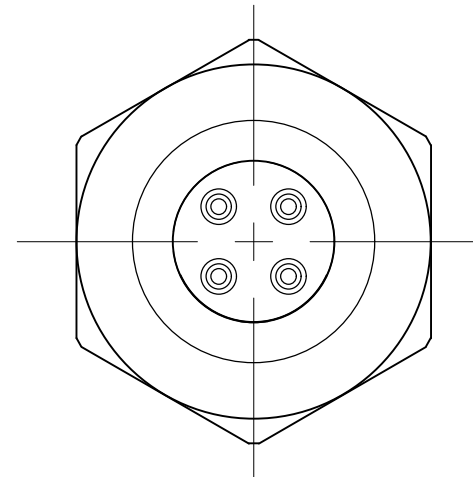
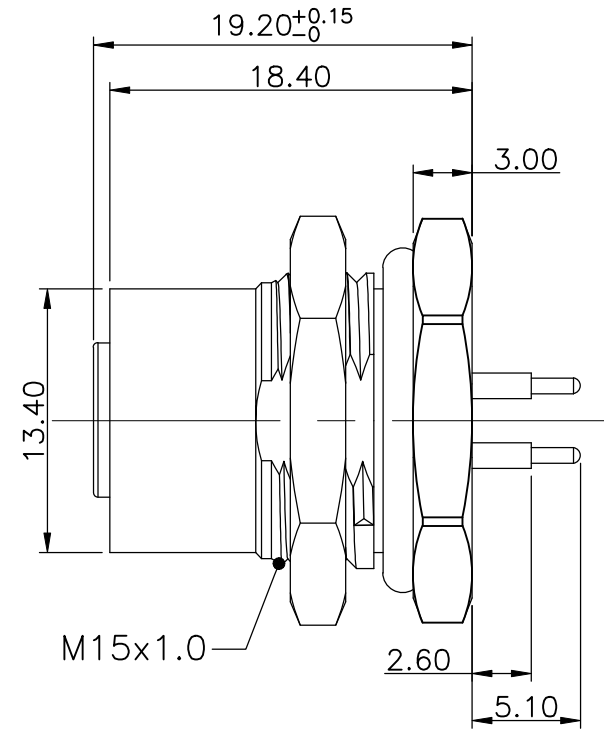
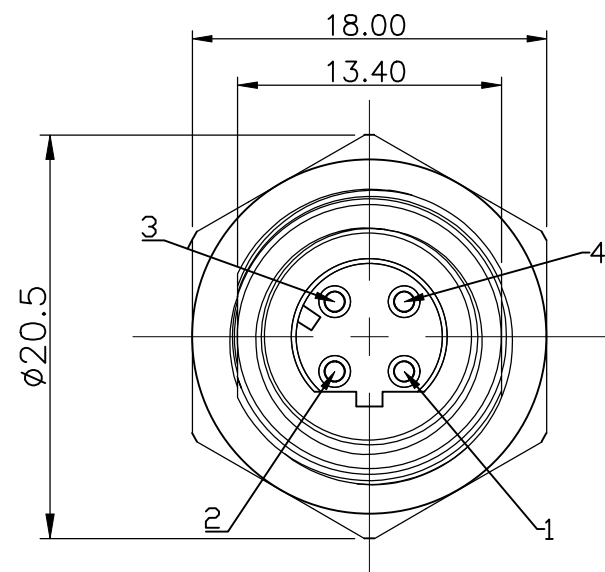
PCB CUT-OUT



M12x1.0

PANEL CUT-OUT THICKNESS: 4.0mm MAX.

- NOTES:
1. WATERPROOF RATING: IP68, MATED
 2. NUT TORQUE: 16~18kg-cm
 3. CURRENT RATING: 4.0A
 4. VOLTAGE RATING: 250V AC/DC
 5. CONTACT RESISTANCE: 10mΩ MAX.
 6. INSULATION RESISTANCE: 100MΩ MIN. AT 500VDC
 7. DIELECTRIC WITHSTANDING VOLTAGE: 1400VDC PIN-TO-PIN AND PIN-TO-SHIELD
 8. TEMPERATURE RANGE: -25°C TO +85°C



SS-12300-003
PART NUMBER

SCREW NUT	BRASS	NICKEL	1
O-RING	EPDM		1
TERMINALS	BRASS	GOLD	4
SHIELD COVER	BRASS	NICKEL	1
HOUSING	PBT		1
DESCRIPTION	MATERIAL	FINISH	QTY



TOLERANCES UNLESS OTHERWISE SPECIFIED	
.XXX	±0.10
.XX	±0.25
.X	±0.38
X	±0.50
ANG	±3°

THIRD ANGLE PROJECTION
DO NOT SCALE DRAWING DRAWING IS SUBJECT TO CHANGE WITHOUT NOTICE
DIMENSIONS: MILLIMETERS [INCHES]
SHEET NO. 1 OF 1



11118 Susquehanna Trail South
Glen Rock, PA 17327-9199
(717) 235-7512
<http://www.stewartconnector.com>

TITLE: M12 D-CODE BOARD MOUNT FEMALE - VERTICAL	
DRN BY: AR	DATE 05-08-23
APPD BY: GWL	DATE 05-18-23
DWG NO. CT120028	REV. A0