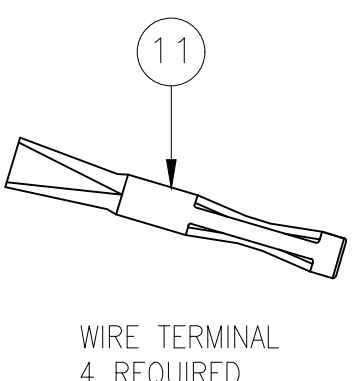
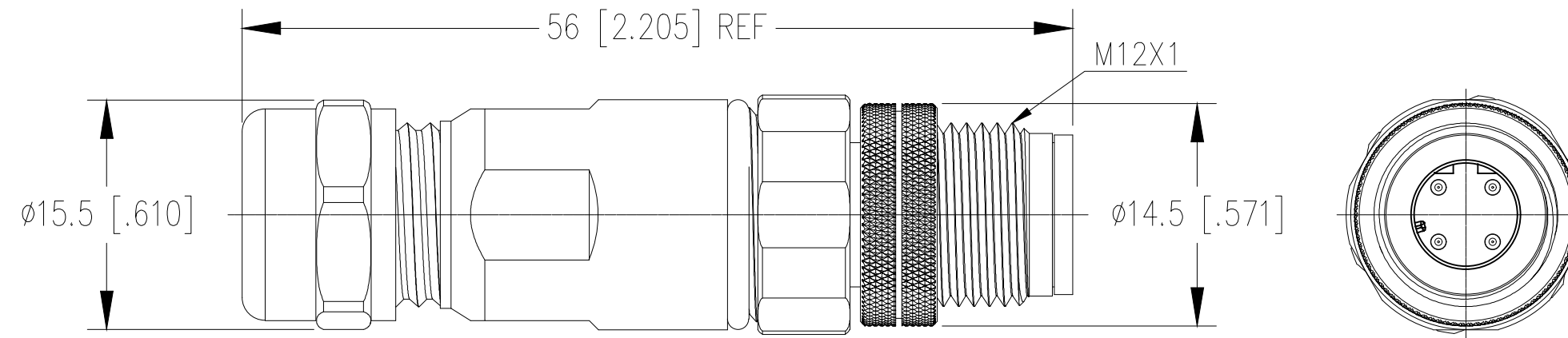
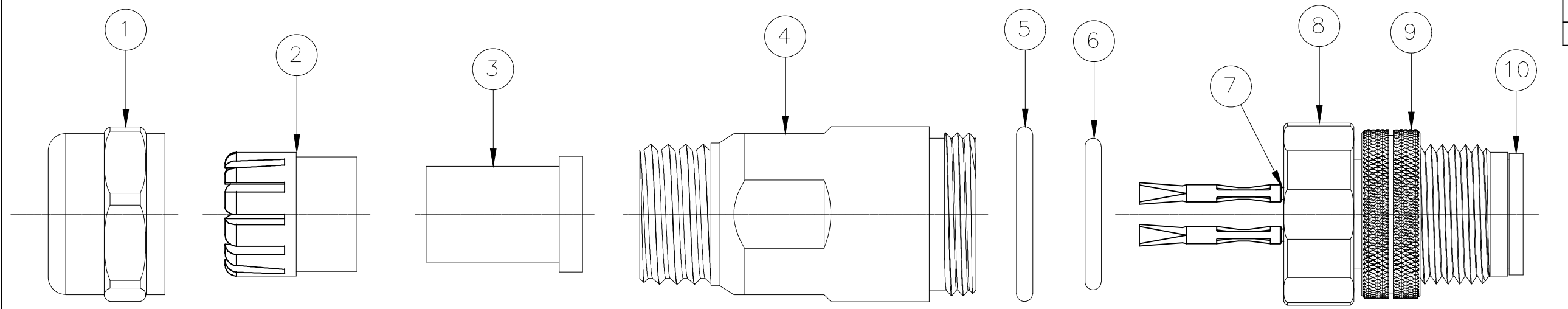


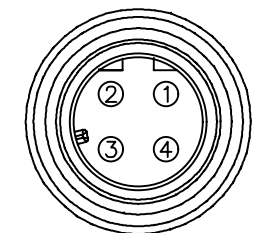
| DATE | REV | ECN | APP'D. BY |
|----------|-----|-------|-----------|
| 09-26-24 | A0 | 12441 | GWL |



NOTES:

1. MATERIALS AND FINISHES: SEE TABLE.
2. WATERPROOF RATING: IP67
3. CURRENT RATING: 4.0A
4. VOLTAGE RATING: 250VAC/VDC
5. CONTACT RESISTANCE: 5mΩ MAX.
6. INSULATION RESISTANCE: 100MΩ MIN. AT 500VDC
7. DIELECTRIC WITHSTANDING VOLTAGE: 500VAC/MIN. PIN-TO-PIN AND PIN-TO-SHIELD
8. OPERATING TEMPERATURE RANGE: -40°C TO +100°C
9. DURABILITY: 200 CYCLES
10. APPLICABLE CABLE OD: 4.0-6.5mm
11. APPLICABLE WIRE GAUGE: 20-22AWG
12. SEE MN120004 FOR TERMINATION INSTRUCTIONS.

PIN ASSIGNMENTS, FRONT VIEW



D-CODE, 4-PIN

| ITEM | DESCRIPTION | MATERIAL | FINISH | QTY |
|------|-------------|-----------------|---|-----|
| 1 | SEALING NUT | BRASS | NICKEL | 1 |
| 2 | CLAMP RING | PC, GRAY | | 1 |
| 3 | SEAL | EPDM, BLACK | | 1 |
| 4 | SCREW NUT | BRASS | 60μIN NICKEL | 1 |
| 5 | O-RING | SILICONE, BLACK | | 1 |
| 6 | O-RING | SILICONE, RED | | 1 |
| 7 | MALE PIN | BRASS | GOLD FLASH OVER NICKEL | 4 |
| 8 | LOCK | BRASS | 60μIN NICKEL | 1 |
| 9 | SCREW NUT | BRASS | 60μIN NICKEL | 1 |
| 10 | INSULATOR | PA66-GF, BLACK | | 1 |
| 11 | TERMINAL | PHOSPHOR COPPER | CONTACT SURFACES: 0.8μIN MIN. GOLD ALL SURFACES: 50-80μIN NICKEL | 4 |

| |
|--------------|
| SS-12300-002 |
| PART NUMBER |

| | | | |
|---|--|--|----------------|
| THIRD ANGLE PROJECTION | | 1118 Susquehanna Trail South Glen Rock, PA 17327-9199 (717) 235-7512 http://www.stewartconnector.com | |
| DO NOT SCALE DRAWING DRAWING IS SUBJECT TO CHANGE WITHOUT NOTICE | | TITLE: M12 D-CODE MALE PLUG, FIELD TERMINATED, 4-PIN, CRIMP VERSION THIS DRAWING AND THE SUBJECT MATTER SHOWN THEREON ARE CONFIDENTIAL AND THE PROPRIETARY PROPERTY OF STEWART CONNECTOR AND SHALL NOT BE REPRODUCED, COPIED, OR USED IN ANY MANNER WITHOUT PRIOR WRITTEN CONSENT OF STEWART CONNECTOR. ONE OR MORE U.S. PATENTS MAY APPLY TO THIS PRODUCT. FOR DETAILS, PLEASE VISIT: HTTP://BELFUSE.COM/STEWART/STEWART_PATENTS/ | |
| DIMENSIONS: MILLIMETERS [INCHES] | | DRN BY: KAW | DATE: 09-11-24 |
| | | APPD BY: GWL | DATE: 09-26-24 |
| SHEET NO. 1 OF 1 | | DWG NO. CT120027 | REV. A0 |



| TOLERANCES UNLESS OTHERWISE SPECIFIED | |
|---------------------------------------|-------|
| .XX | ±0.20 |
| .X | ±0.3 |
| X. | ±1 |
| ANG | ±3° |