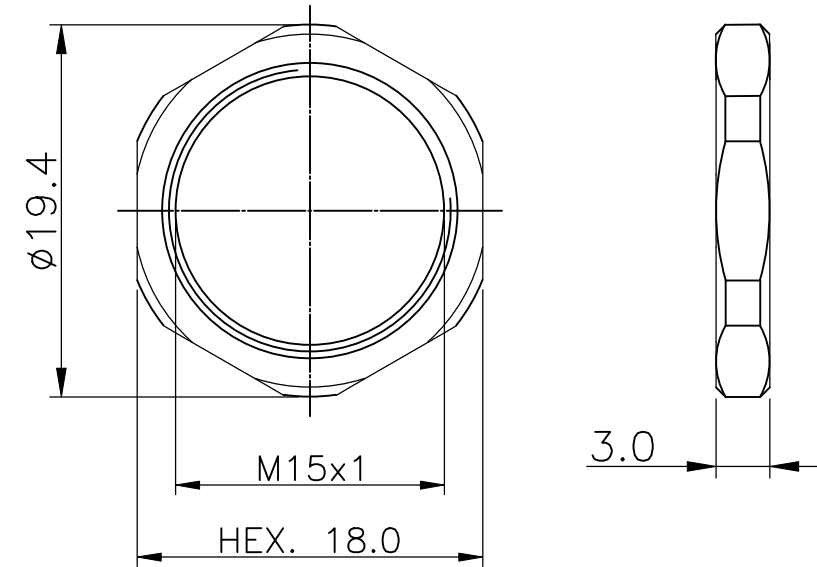
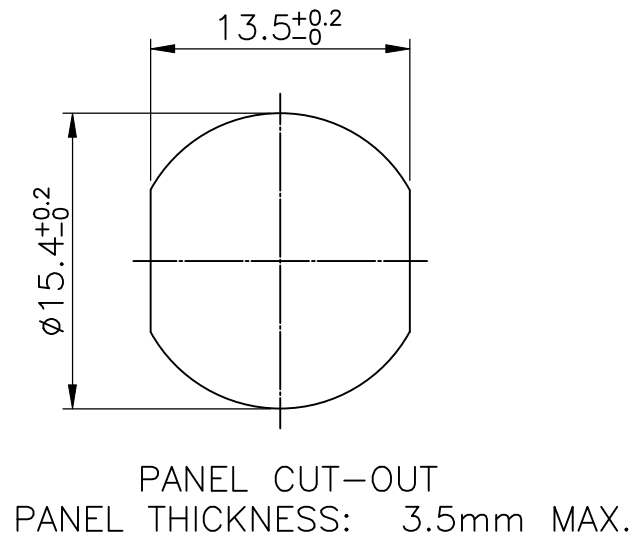


DATE	REV	ECN	APP'D. BY
06-15-23	A0	12160	GWL

B

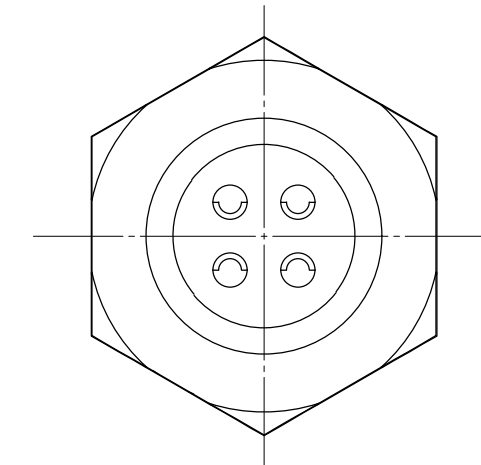
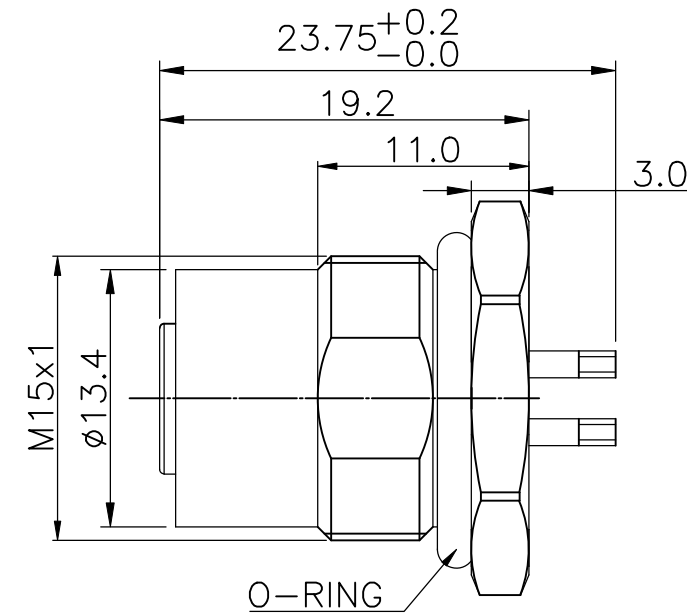
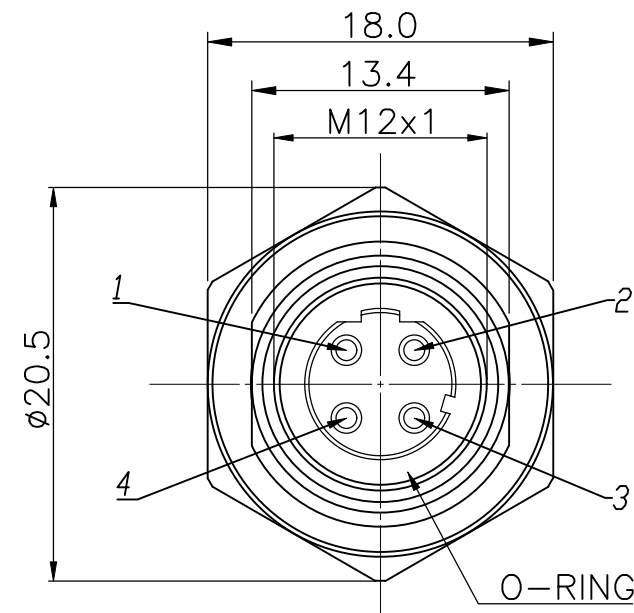


NOTES:

1. WATERPROOF RATING: IP68, MATED
2. NUT TORQUE: 16~18kg-cm
3. CURRENT RATING: 4.0A
4. VOLTAGE RATING: 250V AC/DC
5. CONTACT RESISTANCE: 10mΩ MAX.
6. INSULATION RESISTANCE: 100MΩ MIN. AT 500VDC
7. DIELECTRIC WITHSTANDING VOLTAGE: 1400VDC PIN-TO-PIN AND PIN-TO-SHIELD
8. TEMPERATURE RANGE: -25°C TO +85°C

B

A



SS-12300-001
PART NUMBER


A

DESCRIPTION	MATERIAL	FINISH	QTY
SCREW NUT	BRASS	NICKEL	1
O-RING	NBR		1
O-RING	EPDM		1
TERMINALS	BRASS	GOLD	4
SHIELD COVER	BRASS	NICKEL	1
HOUSING	PBT		1



TOLERANCES UNLESS OTHERWISE SPECIFIED	
.XXX	±0.10
.XX	±0.25
.X	±0.38
X	±0.50
ANG	±3°

THIRD ANGLE PROJECTION
DO NOT SCALE DRAWING DRAWING IS SUBJECT TO CHANGE WITHOUT NOTICE
DIMENSIONS: MILLIMETERS [INCHES]
SHEET NO. 1 OF 1



1118 Susquehanna Trail South
Glen Rock, PA 17327-9199
(717) 235-7512
<http://www.stewartconnector.com>

TITLE: M12 D-CODE PANEL MOUNT FEMALE SOLDER CUP

THIS DRAWING AND THE SUBJECT MATTER SHOWN THEREON ARE CONFIDENTIAL AND THE PROPRIETARY PROPERTY OF STEWART CONNECTOR AND SHALL NOT BE REPRODUCED, COPIED, OR USED IN ANY MANNER WITHOUT PRIOR WRITTEN CONSENT OF STEWART CONNECTOR. ONE OR MORE U.S. PATENTS MAY APPLY TO THIS PRODUCT. FOR DETAILS, PLEASE VISIT: [HTTP://BELFUSE.COM/STEWART/STEWART_PATENTS/](http://BELFUSE.COM/STEWART/STEWART_PATENTS/)

DRN BY: AR	DATE: 05-08-23
APPD BY: GWL	DATE: 05-18-23
DWG NO. CT120026	REV. A0