

THE INFORMATION CONTAINED HEREIN IS CONSIDERED "PROPRIETARY" TO BEL FUSE INC. AND SHALL NOT BE COPIED, REPRODUCED OR DISCLOSED WITHOUT THE WRITTEN APPROVAL OF BEL FUSE INC.



PATENTED:
THIS PRODUCT IS
COVERED BY U.S.
PATENT 5,736,910



DOCUMENT / PART NO.: SI-52007-F

TITLE : 10/100BT, PoEP;TAB UP, SHIELDED

ISSUE	DESCRIPTION OF CHANGE	REVIEWED BY	APPROVED BY	ECN#
01	Release for sample building.	David Chan	Steve Weller	06296
02	Use new format and production release and change the operating temperature of -40 to 85°C	Bain Liu	Steve Weller	06363
03	Update the circuit drawing	Bain Liu	Steve Weller	06383

PAGE	1	2	3	4	--	--	--	--	--	--	--	--	--	--	--	--	--	--
REV.	03	03	03	03	--	--	--	--	--	--	--	--	--	--	--	--	--	--
PAGE	--	--	--	--	--	--	--	--	--	--	--	--	--	--	C5182-F REV 03			
REV.	--	--	--	--	--	--	--	--	--	--	--	--	--	--	24-0483-F REV 02			

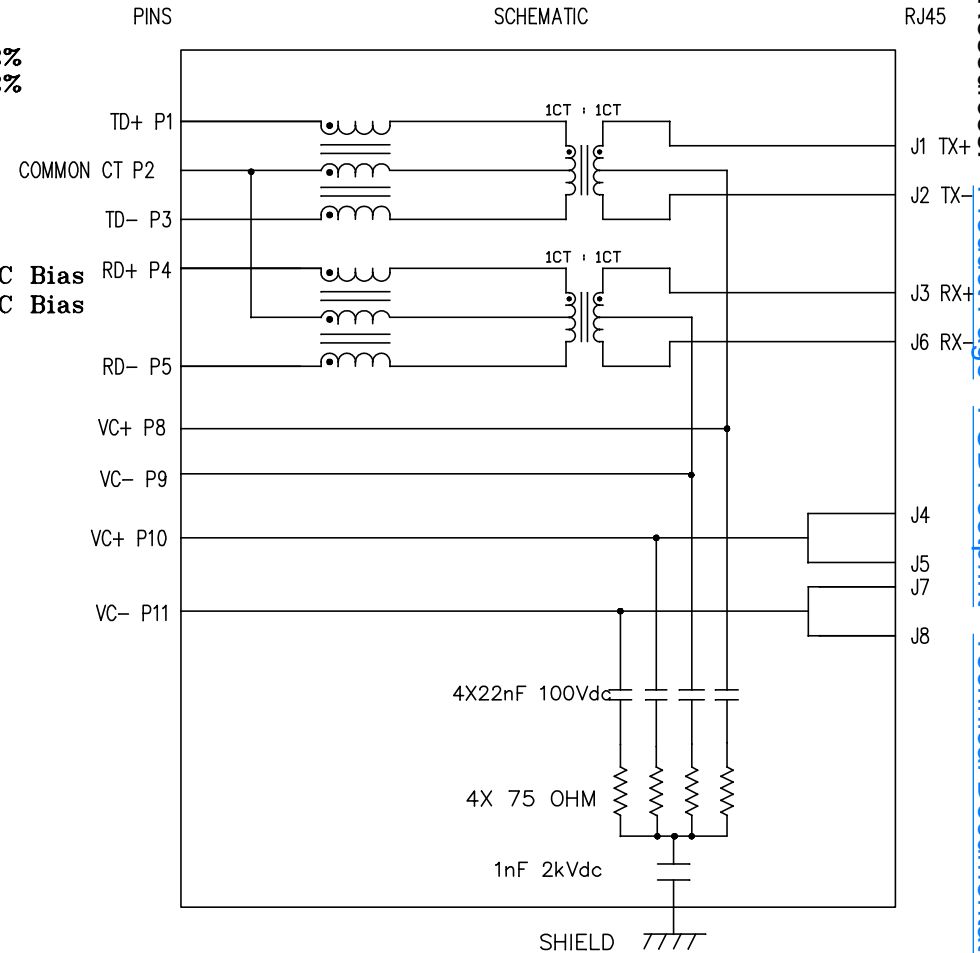
THE INFORMATION CONTAINED HEREIN IS CONSIDERED "PROPRIETARY" TO BEL FUSE INC. AND SHALL NOT BE COPIED, REPRODUCED OR DISCLOSED WITHOUT THE WRITTEN APPROVAL OF BEL FUSE INC.

RoHS



ELECTRICAL CHARACTERISTICS @ 25° C

- 1.0 TURNS RATIO: (P1-P3) : (J1-J2) : 1CT : 1CT ± 2%
(P4-P5) : (J3-J6) : 1CT : 1CT ± 2%
- 2.0 DC RESISTANCE: (P1-P3); (P4-P5) : 1.2 OHMS
(J1-J2); (J3-J6) : 0.8 OHMS
- 3.0 INDUCTANCE: (P1-P3) : 350uH MIN. @ 0.1V, 100KHz, 12mA DC Bias
(P4-P5) : 350uH MIN. @ 0.1V, 100KHz, 12mA DC Bias
- 4.0 RETURN LOSS: (P1-P3)=100 OHMS REF. AND (P4-P5)=100 OHM REF.
1MHz TO 30MHz : 16dB MIN.
60MHz TO 80MHz : 10dB MIN.
- 5.0 INSERTION LOSS: RS & RL =100 ohms
1MHz TO 100MHz : 1.5 dB MAX
- 6.0 CROSS TALK: 1MHz - 100 MHz : 30 dB MIN.
- 7.0 DIELECTRIC WITHSTAND: (P1-P3) TO (J1-J2) : 2000 Vrms
(P4-P5) TO (J3-J6) : 2000 Vrms
- 8.0 BALANCED DC LINE CURRENT: USED PAIRS : 700mA MAX
UNUSED PAIRS : 700mA MAX
- 9.0 OPERATING TEMPERATURE: : -40 to 85° C



Additional Resources: Product Page PCB Footprint Technical Documentation

ORIGINATED BY	DATE	TITLE
Zeng Xiaochun	2012-04-18	MagJack® 10/100BT, PoEP TAB UP, SHIELDED PATENTED
DRAWN BY	DATE	
Duan Jun	2012-04-18	

PART NO. / DRAWING NO.	STANDARD DIM.	[] METRIC DIM. AS REFERENCE
SI-52007-F	TOL. IN INCH	UNIT : INCH [mm]
FILE NAME	.X	REV. : 03
SI-52007-F.DWG	.XX	SCALE : N/A
	.XXX	SIZE : A4
	±0.005	PAGE : 2

[] METRIC DIM. AS REFERENCE	
UNIT : INCH [mm]	REV. : 03
SCALE : N/A	SIZE : A4
PAGE : 2	

STANDARD DIM.		
TOL. IN INCH		
.X		
.XX		
.XXX	±0.005	



THE INFORMATION CONTAINED HEREIN IS CONSIDERED "PROPRIETARY" TO BEL FUSE INC. AND SHALL NOT BE COPIED, REPRODUCED OR DISCLOSED WITHOUT THE WRITTEN APPROVAL OF BEL FUSE INC.

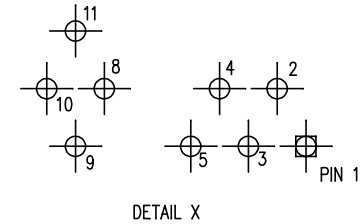
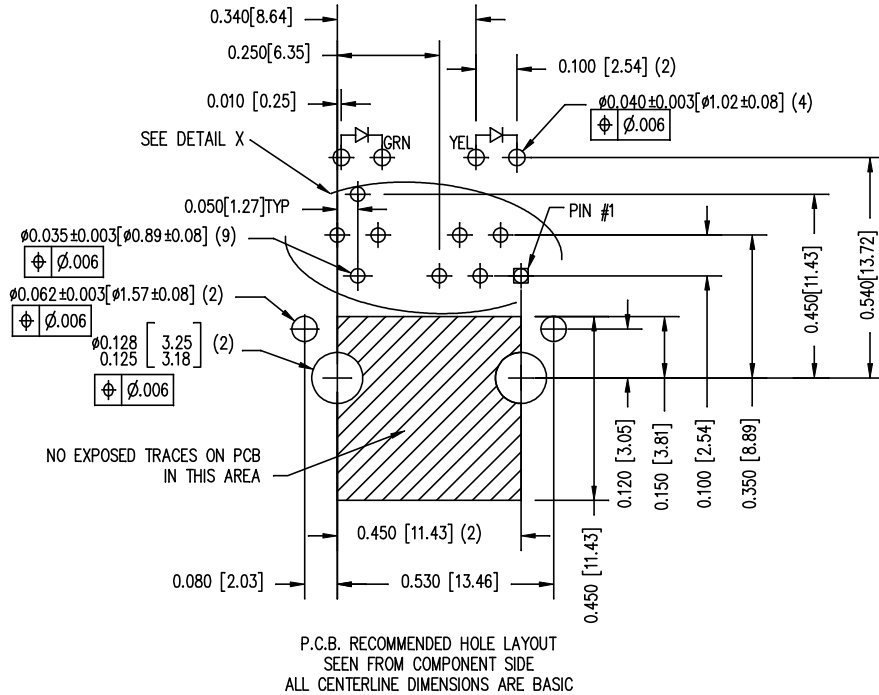
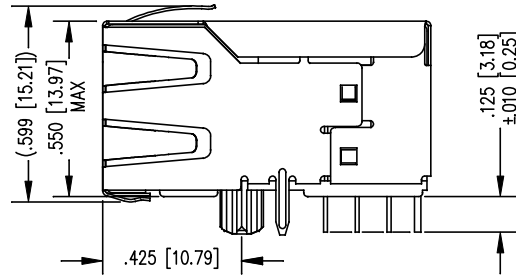
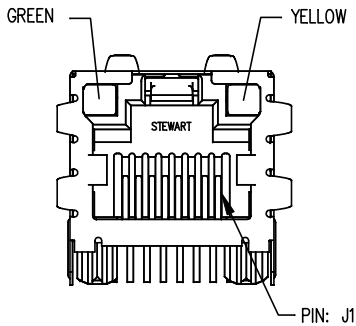
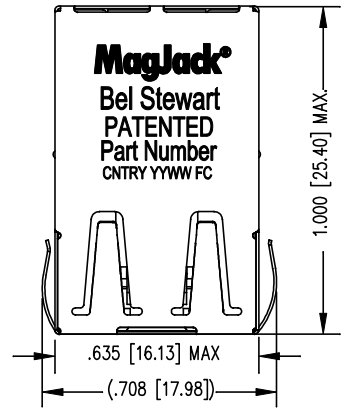
RoHS



Additional Resources: [Product Page](#) [PCB Footprint](#) [Technical Documentation](#)

STANDARD LED	WAVELENGTH	Forward V (MAX)	* (TYP)
YELLOW	590 nm	2.5 V	2.1 V
GREEN	565 nm	2.5 V	2.2 V

* WITH A FORWARD CURRENT OF 20 mA (TYP)



NOTES:

- CONNECTOR MATERIALS:
HOUSING: THERMOPLASTIC UL94 V-0
CONTACT/SHIELD: COPPER ALLOY
SHIELD PLATING: NICKEL OR TIN
CONTACT PLATING: 50 MICRO-INCH SELECTIVE HARD GOLD PLATING OR EQUIVALENT IN CONTACT AREA
- PIN NOT ELECTRICALLY CONNECTED MAYBE OMITTED. SEE ELECTRICAL DRAWING FOR OMITTED PINS.
- TOLERANCES COMPLY WITH F.C.C. DIMENSION REQUIREMENTS.
- ALL TOLERANCES NOT OTHERWISE SPECIFIED TO BE ±.005 [0.13]
- REFLOW AND WAVE SOLDER COMPATIBLE -260°C FOR 10 SECONDS MAX.

ORIGINATED BY	DATE
Zeng Xiaochun	2012-04-18
DRAWN BY	DATE
Duan Jun	2012-04-18

TITLE	MagJack® 10/100BT, PoEP TAB UP, SHIELDED PATENTED
-------	-------------------------------------------------------------------

PART NO. / DRAWING NO.	SI-52007-F
FILE NAME	SI-52007-F.DWG

STANDARD DIM.	[] METRIC DIM. AS REFERENCE
TOL. IN INCH	UNIT : INCH [mm]
.X	REV. : 03
.XX	SCALE : N/A
.XXX	SIZE : A4
±0.005	PAGE : 3

[] METRIC DIM. AS REFERENCE	
UNIT : INCH [mm]	REV. : 03
SCALE : N/A	SIZE : A4
PAGE : 3	

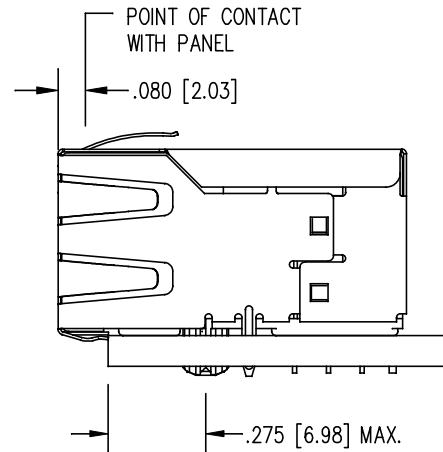
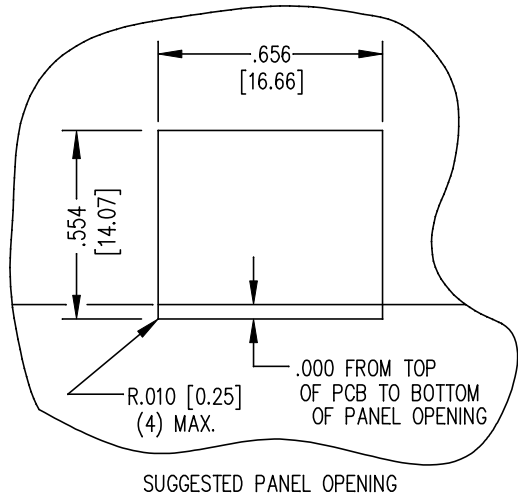


THE INFORMATION CONTAINED HEREIN IS CONSIDERED "PROPRIETARY" TO BEL FUSE INC. AND SHALL NOT BE COPIED, REPRODUCED OR DISCLOSED WITHOUT THE WRITTEN APPROVAL OF BEL FUSE INC.

RoHS



Additional Resources: [Product Page](#) [PCB Footprint](#) [Technical Documentation](#)



1. THE SUGGESTED PANEL OPENING IS INTENDED TO GIVE THE USER THE ABILITY TO HAVE REASONABLE JACK / PANEL CLEARANCES YET MAINTAIN RELIABLE GROUNDING CAPABILITY.
2. ALL TOLERANCES NOT OTHERWISE SPECIFIED TO BE ± 0.005 [0.13]

ORIGINATED BY Zeng Xiaochun	DATE 2012-04-18	TITLE MagJack® 10/100BT, PoEP TAB UP, SHIELDED PATENTED	PART NO. / DRAWING NO. SI-52007-F	STANDARD DIM. TOL. IN INCH	[] METRIC DIM. AS REFERENCE	
	DRAWN BY Duan Jun		DATE 2012-04-18	FILE NAME SI-52007-F.DWG	.X .XX .XXX	±0.005

