

THE INFORMATION CONTAINED HEREIN IS CONSIDERED "PROPRIETARY" TO BEL FUSE INC. AND SHALL NOT BE COPIED, REPRODUCED OR DISCLOSED WITHOUT THE WRITTEN APPROVAL OF BEL FUSE INC.

RoHS
2002/95/EC



ELECTRICAL CHARACTERISTICS @ 25°C

- 1.0 TURNS RATIO:
 (P6-P4) : (J6-J3) 1CT:1CT±3%
 (P3-P1) : (J2-J1) 1CT:1CT±3%

- 2.0 INDUCTANCE:
 (P6-P4) 350uH MIN. @ 0.1V, 100kHz, 8mA DC BIAS
 (P3-P1) 350uH MIN. @ 0.1V, 100kHz, 8mA DC BIAS

- 3.0 DC RESISTANCE:
 (J6-J3)=(J2-J1) 1.8 OHMS MAX

- 4.0 RETURN LOSS: 100 OHMS SOURCE APPLIED TO J-PINS
 1MHz TO 30MHz 18dB MIN.
 60MHz TO 80MHz 12dB MIN.
 NOTE:100 OHMS CONNECTED TO (P6-P4) OR (P1-P3)

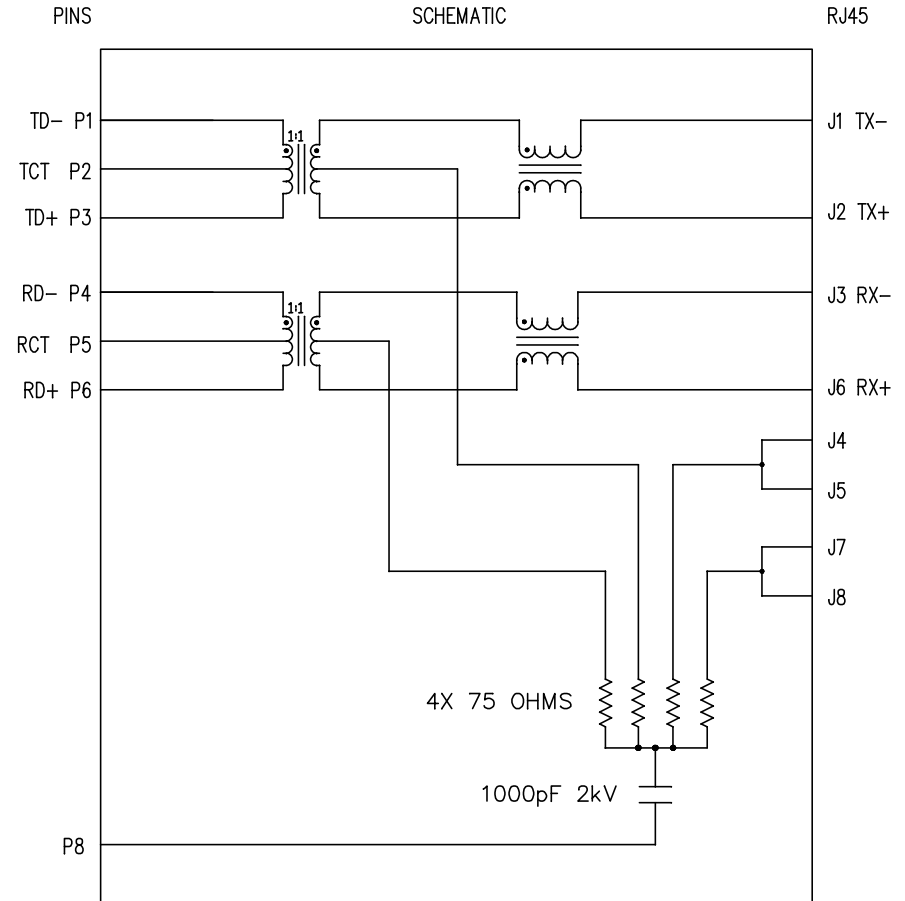
- 5.0 VOLTAGE WITHSTAND:
 (J1,J2) TO (P1,P3) 1500 Vrms
 (J3,J6) TO (P4,P6) 1500 Vrms

- 6.0 INSERTION LOSS:
 100kHz TO 100MHz 1.1 dB TYP

- 7.0 CROSS TALK:
 1MHz TO 100MHz 30 dB TYP

- 8.0 COMMON TO COMMON MODE ATTENUATION:
 30MHz TO 100MHz 35 dB TYP

- 9.0 OPERATING TEMPERATURE: -40° TO 85° C

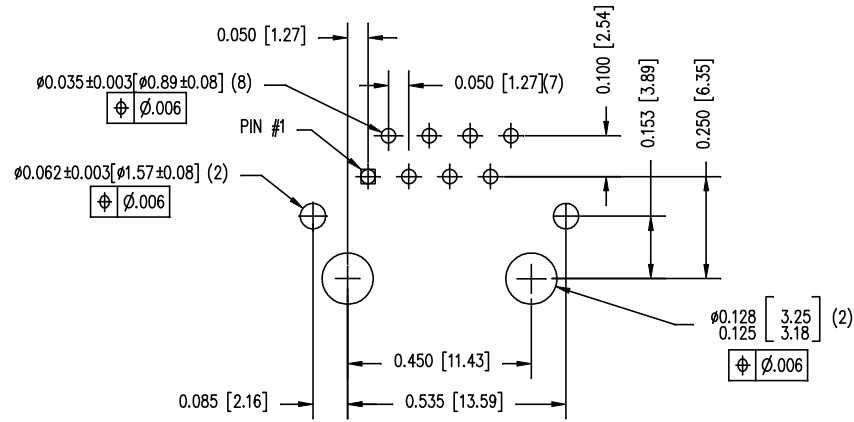


NOTES:
1.0 PINS WITHOUT ELECTRICAL CONNECTION ARE OMITTED.

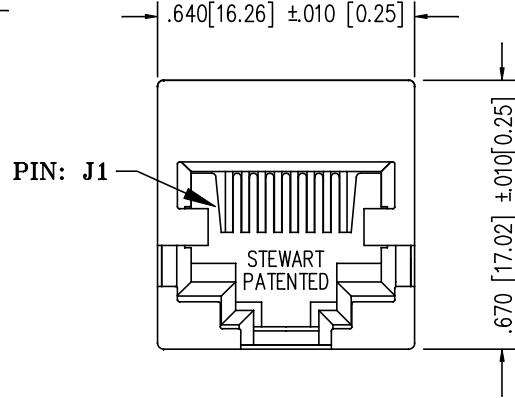
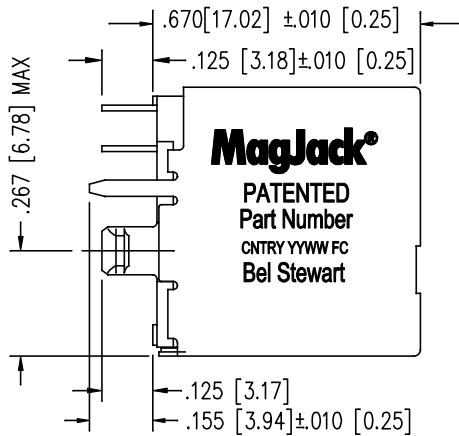
ORIGINATED BY X.B Wei	DATE 05-27-10	TITLE MagJack® 10/100BT, VERTICAL, SHIELDED PATENTED	PART NO. / DRAWING NO. SI-16004-F	STANDARD DIM. TOL. IN INCH .X .XX .XXX ±0.005	[] METRIC DIM. AS REFERENCE UNIT : INCH [mm] SCALE : N/A 	REV. : 02 SIZE : A4 PAGE : 2	bel COMPONENTS FOR A CONNECTED PLANET
DRAWN BY RS Zhang	DATE 05-27-10		FILE NAME SI-16004-F.DWG				

THE INFORMATION CONTAINED HEREIN IS CONSIDERED "PROPRIETARY" TO BEL FUSE INC. AND SHALL NOT BE COPIED, REPRODUCED OR DISCLOSED WITHOUT THE WRITTEN APPROVAL OF BEL FUSE INC.

RoHS
2002/95/EC



P.C.B. RECOMMENDED HOLE LAYOUT
SEEN FROM COMPONENT SIDE
ALL CENTERLINE DIMENSIONS ARE BASIC



NOTES:

- CONNECTOR MATERIALS:
HOUSING: THERMOPLASTIC UL94 V-0
CONTACT/SHIELD: COPPER ALLOY
SHIELD PLATING: NICKEL OR TIN
CONTACT PLATING: SELECTIVE GOLD,
50 MICRO-INCHES MIN. IN CONTACT AREA.
- PIN NOT ELECTRICALLY CONNECTED MAYBE OMITTED.
SEE ELECTRICAL DRAWING FOR OMITTED PINS.
- TOLERANCES COMPLY WITH F.C.C. DIMENSION REQUIREMENTS.
- ALL TOLERANCES NOT OTHERWISE SPECIFIED TO BE ±0.005 [0.13]
- WAVE SOLDER COMPATIBLE - PREHEAT 125°C/90SECS.

ORIGINATED BY	DATE	TITLE	PART NO. / DRAWING NO.	STANDARD DIM.	[] METRIC DIM. AS REFERENCE	
X.B Wei	05-27-10	MagJack® 10/100BT, VERTICAL, SHIELDED PATENTED	SI-16004-F	TOL. IN INCH	UNIT : INCH [mm]	REV. : 02
DRAWN BY	DATE		FILE NAME	.X	SCALE : N/A	SIZE : A4
RS Zhang	05-27-10		SI-16004-F.DWG	.XX		PAGE : 3
			.XXX	±0.005		

