

THE INFORMATION CONTAINED HEREIN IS CONSIDERED "PROPRIETARY" TO BEL FUSE INC. AND SHALL NOT BE COPIED, REPRODUCED OR DISCLOSED WITHOUT THE WRITTEN APPROVAL OF BEL FUSE INC.



PRELIMINARY

ELECTRICAL CHARACTERISTICS @ 25°C

URNS RATIO

TP1	1CT : 1CT ±2%
TP2	1CT : 1CT ±2%
TP3	1CT : 1CT ±2%
TP4	1CT : 1CT ±2%

DCI @ 100kHz/100mVRMS	(0-70 Deg. C)
8mA DC BIAS	350µH MIN.

INS. LOSS

0.1MHz TO 1MHz	-1.1 dB MAX
1MHz TO 65MHz	-0.5 dB MAX
65MHz TO 100MHz	-0.8 dB MAX
100MHz TO 125MHz	-1.2 dB MAX

RET. LOSS (MIN) @100 OHMS ±15%

0.5MHz-40MHz	-18 dB
40MHz-100MHz	-12+20LOG(f/80MHz) dB

CM TO CM REJ

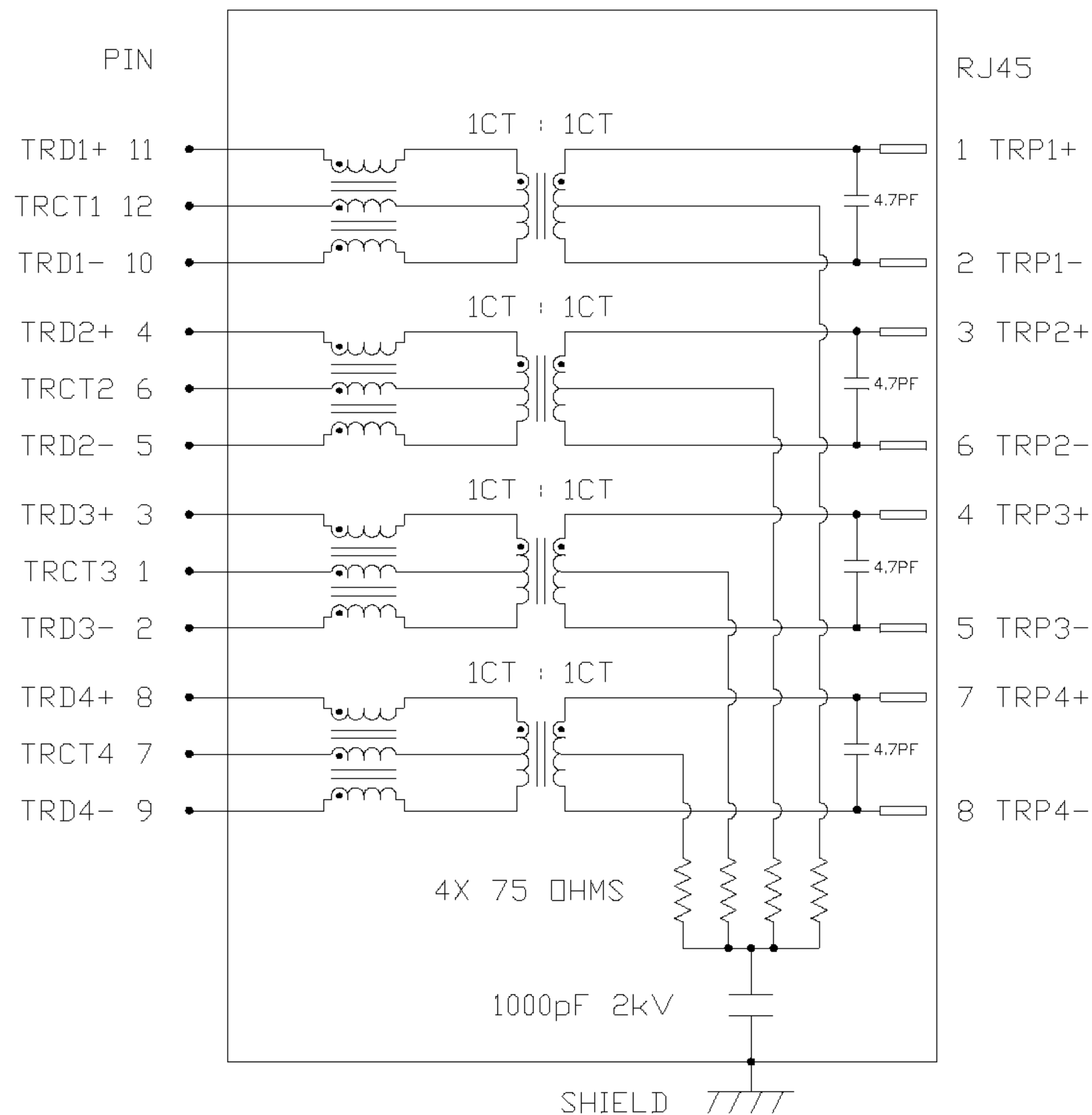
100kHz - 100MHz	-30 dB MIN
-----------------	------------

CM TO DM REJ

100kHz - 100MHz	-35 dB MIN
-----------------	------------

HIPOT (Isolation Voltage):	1500 Vrms / 2250 VDC
----------------------------	----------------------

SCHEMATIC



ORIGINATED BY CHUNG	DATE 12-29-06	TITLE gigabit MagJack® (Ultra Low Profile)	PART NO. / DRAWING NO. L837-1XX1-43	STANDARD DIM. TOL. IN INCH .X .XX .XXX	[ ] METRIC DIM. AS REFERENCE UNIT : INCH [mm] SCALE : N/A	REV. : PA SIZE : A4 PAGE : 2	 COMPONENTS FOR A CONNECTED PLANET
DRAWN BY DE	DATE 12-29-06	FILE NAME L8371XX143PA.DWG					

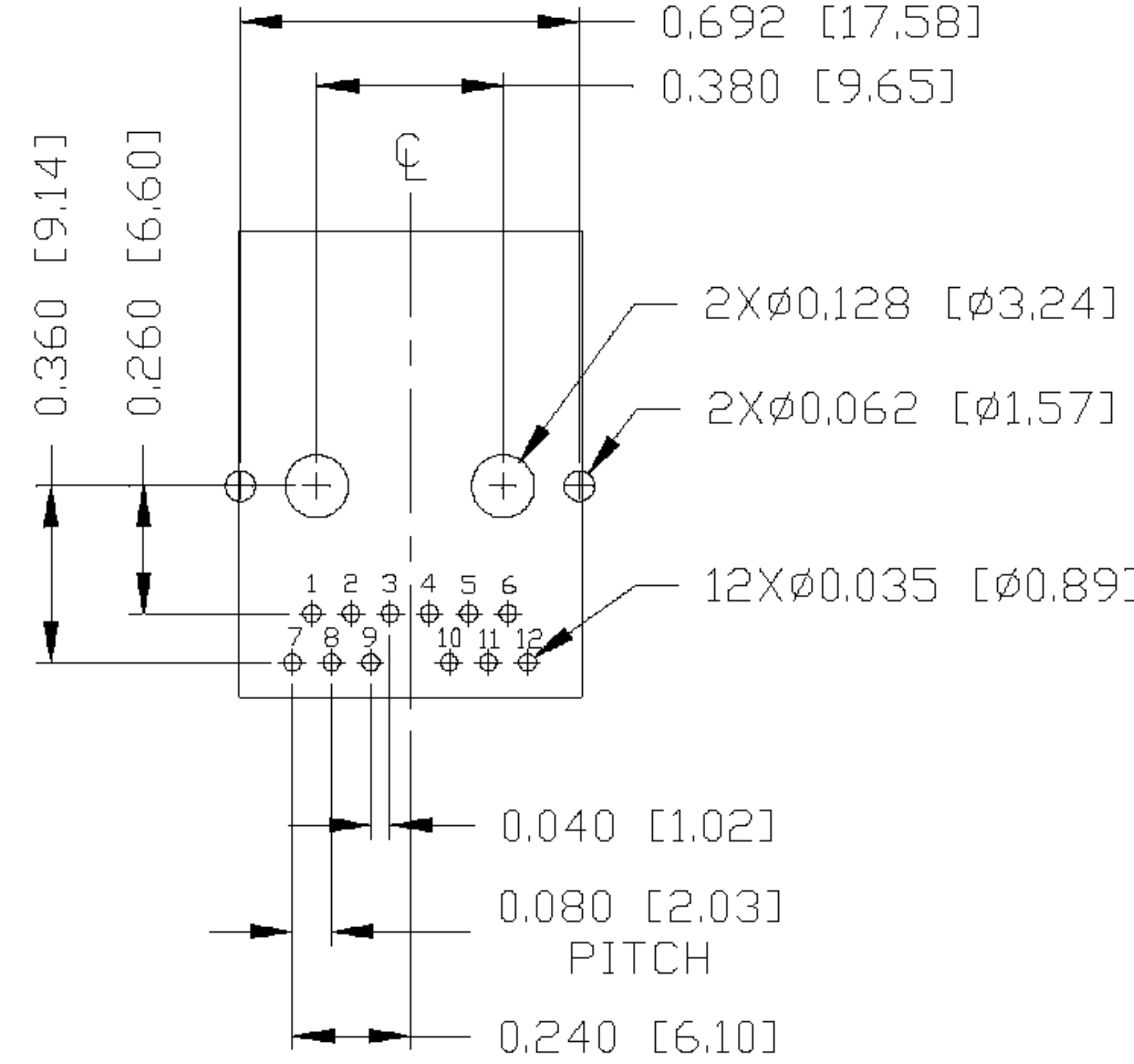
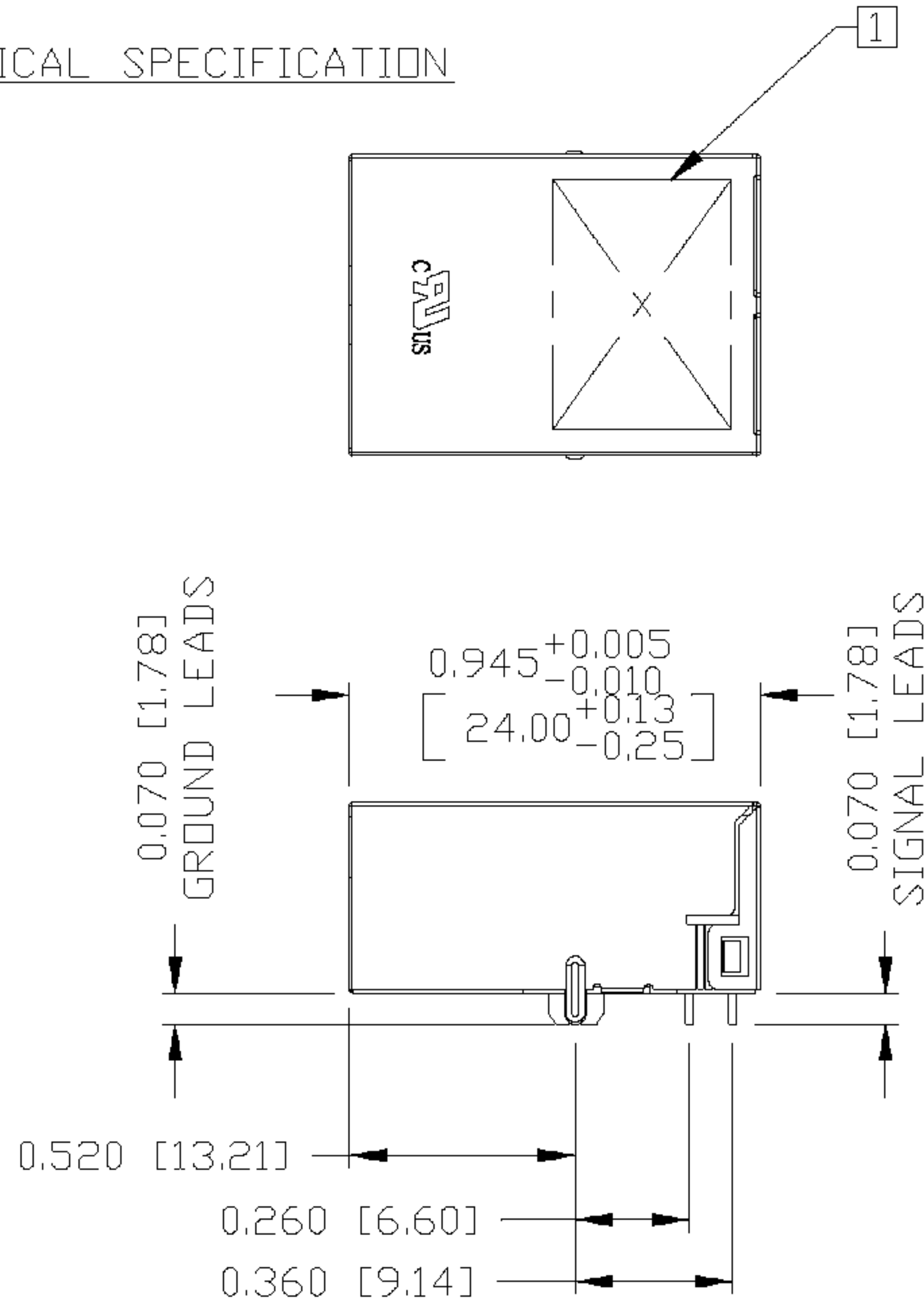
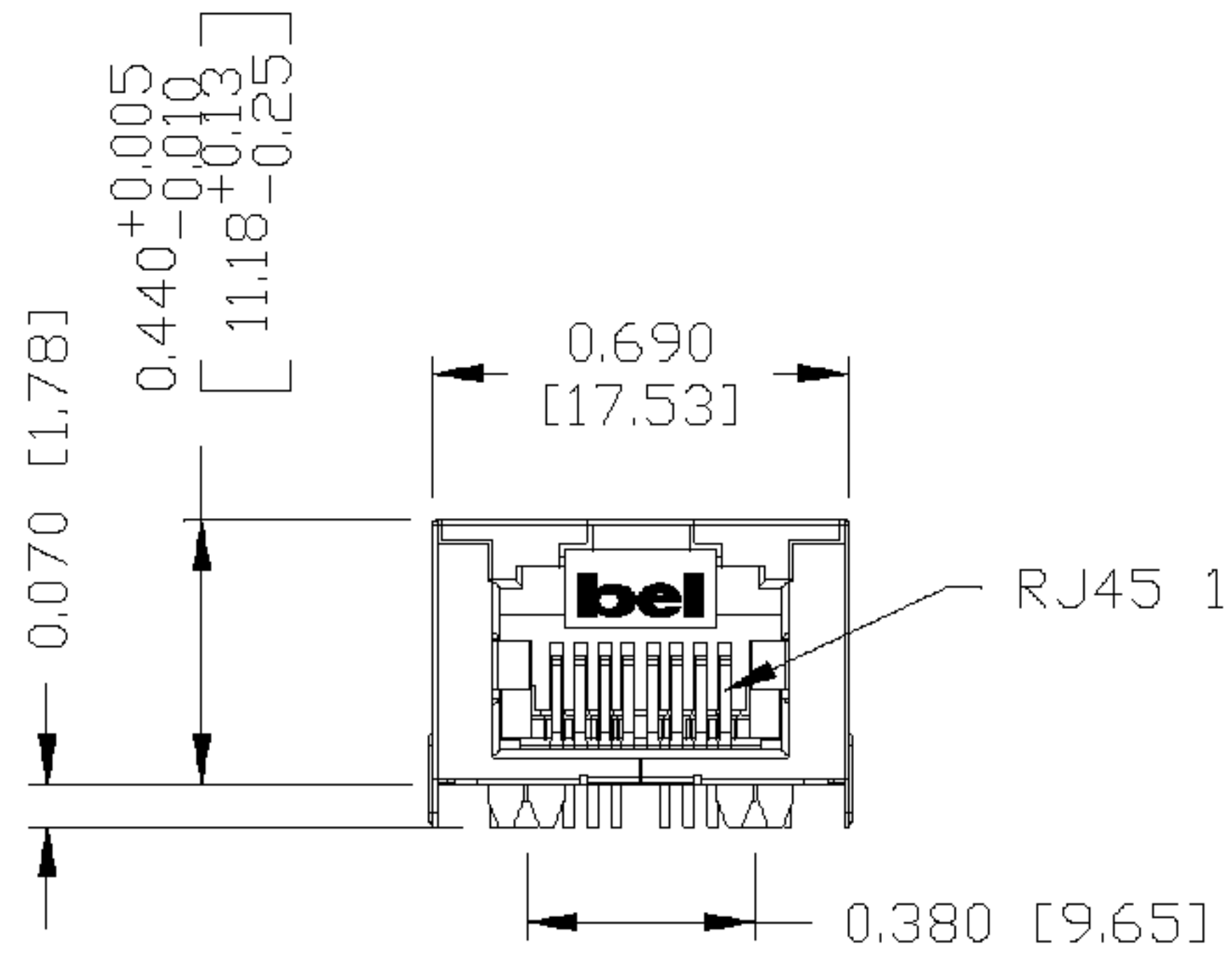
THE INFORMATION CONTAINED HEREIN IS CONSIDERED "PROPRIETARY" TO BEL FUSE INC. AND SHALL NOT BE COPIED, REPRODUCED OR DISCLOSED WITHOUT THE WRITTEN APPROVAL OF BEL FUSE INC.



MECHANICAL SPECIFICATION

PRELIMINARY

RECOMMENDED PCB FOOTPRINT  
COMPONENT SIDE VIEW



- NOTES:
- PLASTIC HOUSING: THERMOPLASTIC PA 46, FLAMMABILITY RATING UL 94V-0
  - CONTACTS: 30 MICRO-INCH HARD GOLD PLATING
  - OUTPUT PINS: TIN-COATED COPPER WIRE, DIA 0.018 INCH.
  - METAL SHIELD: NICKEL PLATED ON COPPER ALLOY.
  - (ALL GROUND LEADS ARE SOLDER DIPPED)

[1] MARK PART WITH MFG. LOGO, MFG. NAME, PART NUMBER (L837-1XX1-43), AND DATE CODE.

2. RoHS COMPLIANCE, PER EU DIRECTIVE 2002/95/EC.  
**UL** UL RECOGNIZED - FILE #E196366 AND E169987.  
 JACK CAVITY CONFORMS TO FCC RULES AND REGULATIONS.

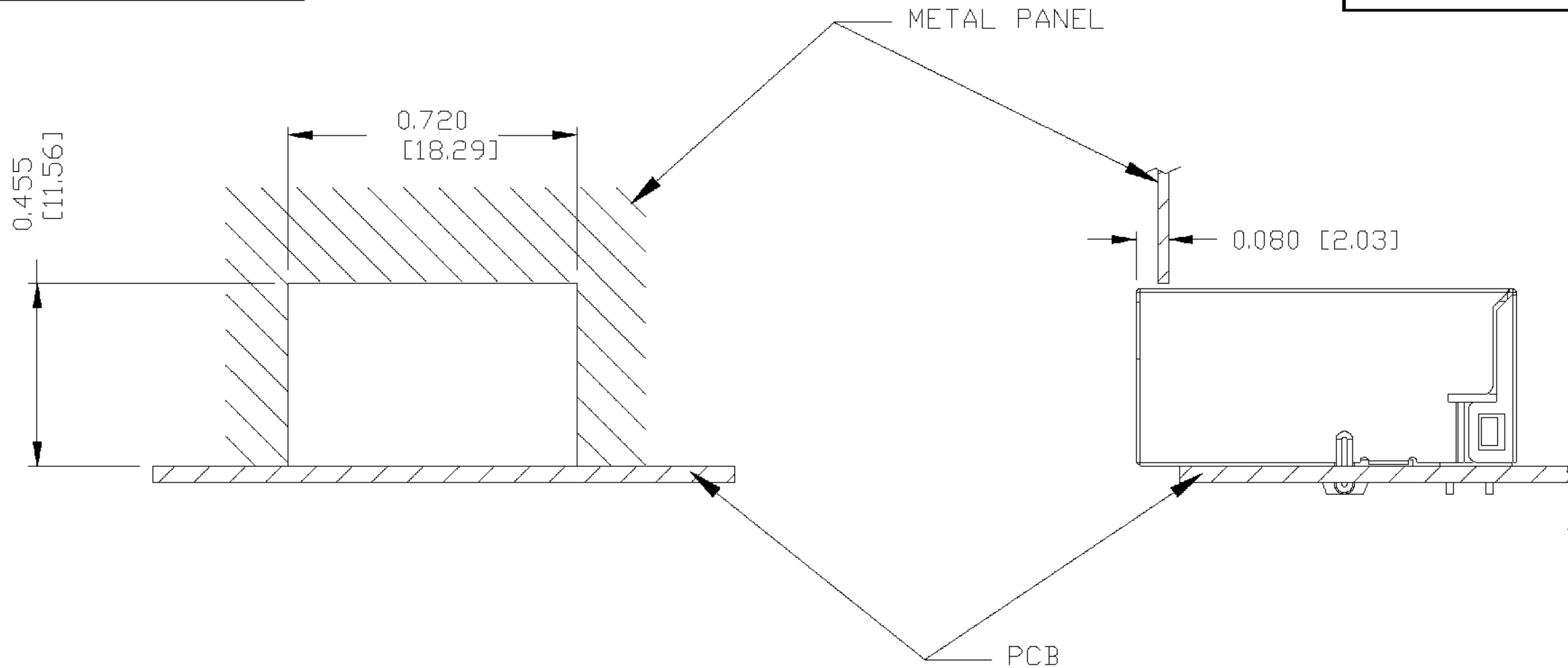
ORIGINATED BY QIN/BILL	DATE 12-29-06	TITLE gigabit MagJack® (Ultra Low Profile)	PART NO. / DRAWING NO. L837-1XX1-43	STANDARD DIM. TOL. IN INCH	[ ] METRIC DIM. AS REFERENCE	
DRAWN BY TING	DATE 12-29-06		FILE NAME L8371XX143PA.DWG	.X .XX .XXX	UNIT : INCH [mm] SCALE : N/A	REV. : PA SIZE : A4 PAGE : 3



THE INFORMATION CONTAINED HEREIN IS CONSIDERED "PROPRIETARY" TO BEL FUSE INC. AND SHALL NOT BE COPIED, REPRODUCED OR DISCLOSED WITHOUT THE WRITTEN APPROVAL OF BEL FUSE INC.

SUGGESTED PANEL OPENING

PRELIMINARY



NOTE:

THE DISTANCE OF PANEL INSIDE SURFACE RELATIVE TO FRONT SURFACE OF PART IS ONLY A SUGGESTION. IN CASE THIS DISTANCE IS DIFFERENT, THE REQUIRED PANEL OPENING DIMENSIONS CHANGE ACCORDINGLY.

PACKING TRAY INFORMATION

PACKING TRAY : 0200-9999-E4 (TOP)  
0200-9999-E5 (BOTTOM)

PACKING QUANTITY : 60 PCS FINISHED GOODS PER TRAY  
11 TRAYS (660 PCS FINISHED GOODS) PER CARTON BOX

NOTE : CARDBOARDS ARE PLACED BETWEEN LAYERS OF PACKING TRAY INSIDE CARTON BOX  
(INCLUDE THE UPPERMOST AND LOWERMOST TRAY)

ORIGINATED BY QIN/BILL	DATE 12-29-06	TITLE gigabit MagJack® (Ultra Low Profile)	PART NO. / DRAWING NO. L837-1XX1-43	STANDARD DIM. TOL. IN INCH	[ ] METRIC DIM. AS REFERENCE	
DRAWN BY TING	DATE 12-29-06		FILE NAME L8371XX143PA.DWG	.X .XX .XXX	±0.004	UNIT : INCH [mm]
					SCALE : N/A	SIZE : A4
						PAGE : 4

