

THE INFORMATION CONTAINED HEREIN IS CONSIDERED "PROPRIETARY" TO BEL FUSE INC. AND SHALL NOT BE COPIED, REPRODUCED OR DISCLOSED WITHOUT THE WRITTEN APPROVAL OF BEL FUSE INC.



LED1 POLARITY			LED2 POLARITY		
PIN 13	PIN 14	COLOR	PIN 15	PIN 16	COLOR
-	+	YELLOW	-	+	GREEN

### ELECTRICAL CHARACTERISTICS @ 25°C

#### URNS RATIO

TP1	1CT : 1CT ±2%
TP2	1CT : 1CT ±2%
TP3	1CT : 1CT ±2%
TP4	1CT : 1CT ±2%
QCL @ 100kHz/100mVRMS	(0-70 Deg. C)
8mA DC BIAS	350µH MIN.

#### INS. LOSS

0.1MHz TO 1MHz	-1.1 dB MAX
1MHz TO 65MHz	-0.5 dB MAX
65MHz TO 100MHz	-0.8 dB MAX
100MHz TO 125MHz	-1.2 dB MAX

#### RET. LOSS (MIN) @100 OHMS ±15%

0.5MHz-40MHz	-18 dB
40MHz-100MHz	-12+20LOG(f/80MHz) dB

#### CM TO CM REJ

100kHz - 100MHz	-30 dB MIN
-----------------	------------

#### CM TO DM REJ

100kHz - 100MHz	-35 dB MIN
-----------------	------------

#### HIPOT (Isolation Voltage):

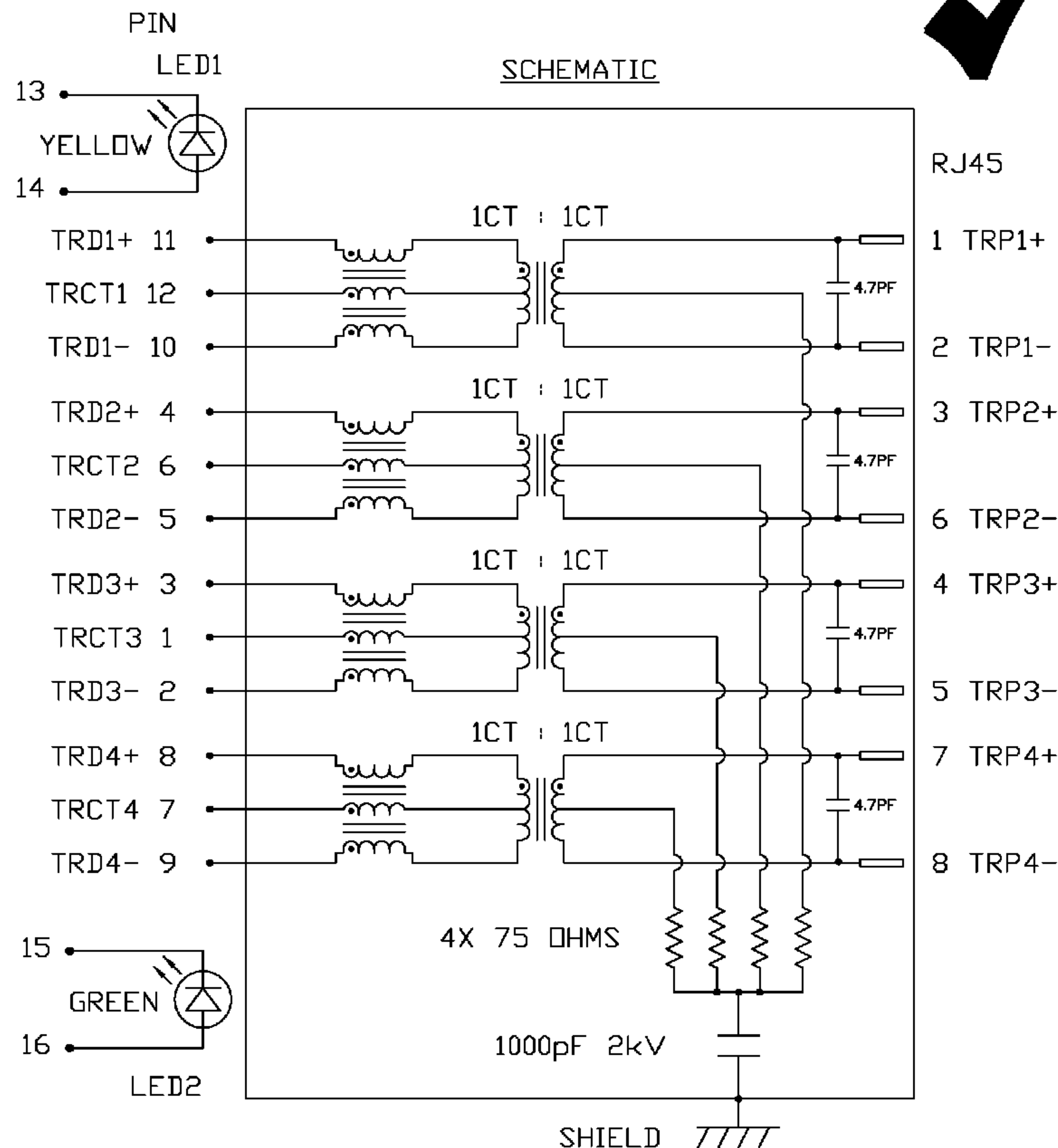
	1500 Vrms / 2250 VDC
--	----------------------

#### LED 1 (HI-TEMP)

V <sub>F</sub> (FORWARD VOLTAGE)	I <sub>F</sub> =20mA	YELLOW	2.1V TYP.
λ <sub>D</sub> (DOMINANT WAVELENGTH)	I <sub>F</sub> =20mA	YELLOW	590nm TYP.

#### LED 2 (HI-TEMP)

V <sub>F</sub> (FORWARD VOLTAGE)	I <sub>F</sub> =20mA	GREEN	2.2V TYP.
λ <sub>D</sub> (DOMINANT WAVELENGTH)	I <sub>F</sub> =20mA	GREEN	565nm TYP.



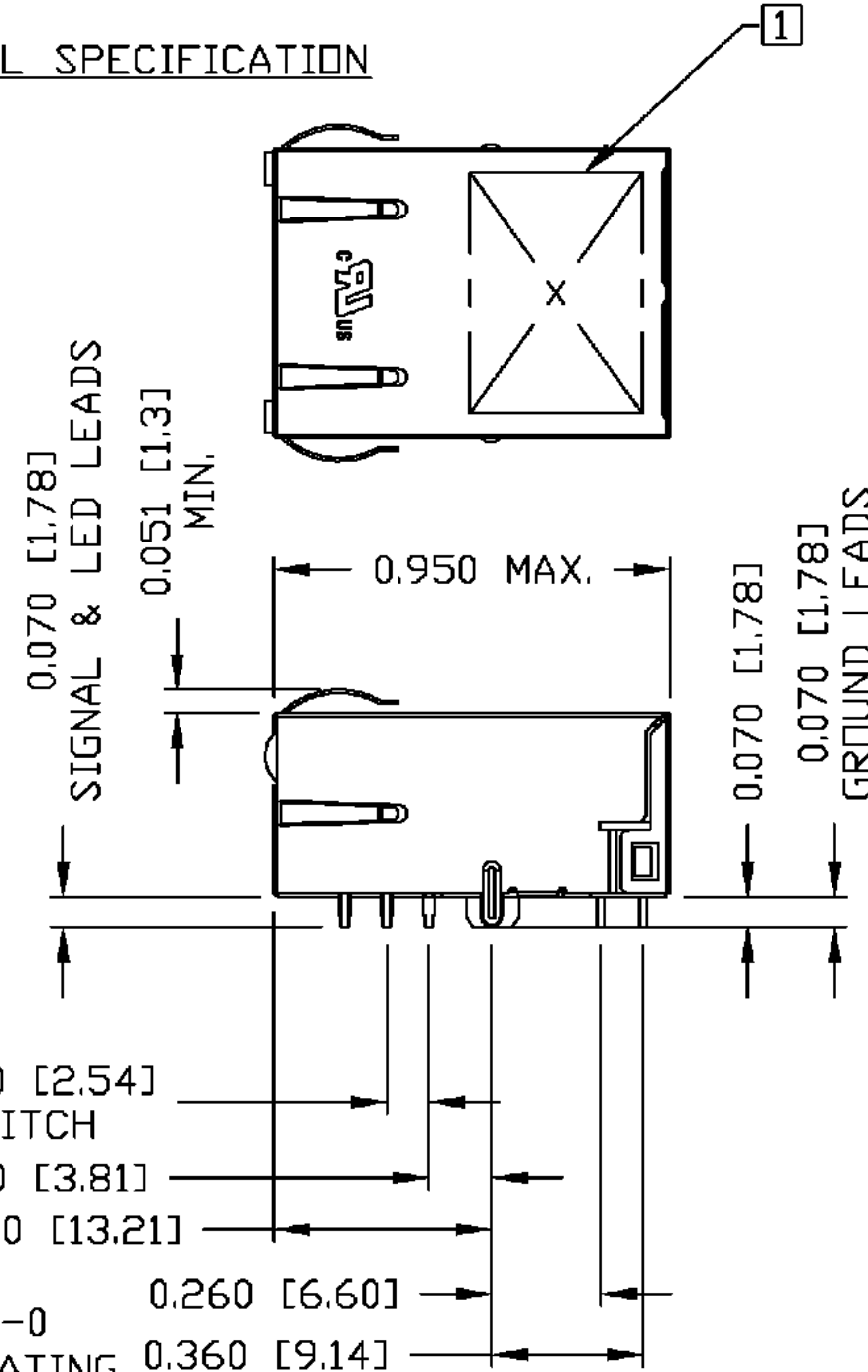
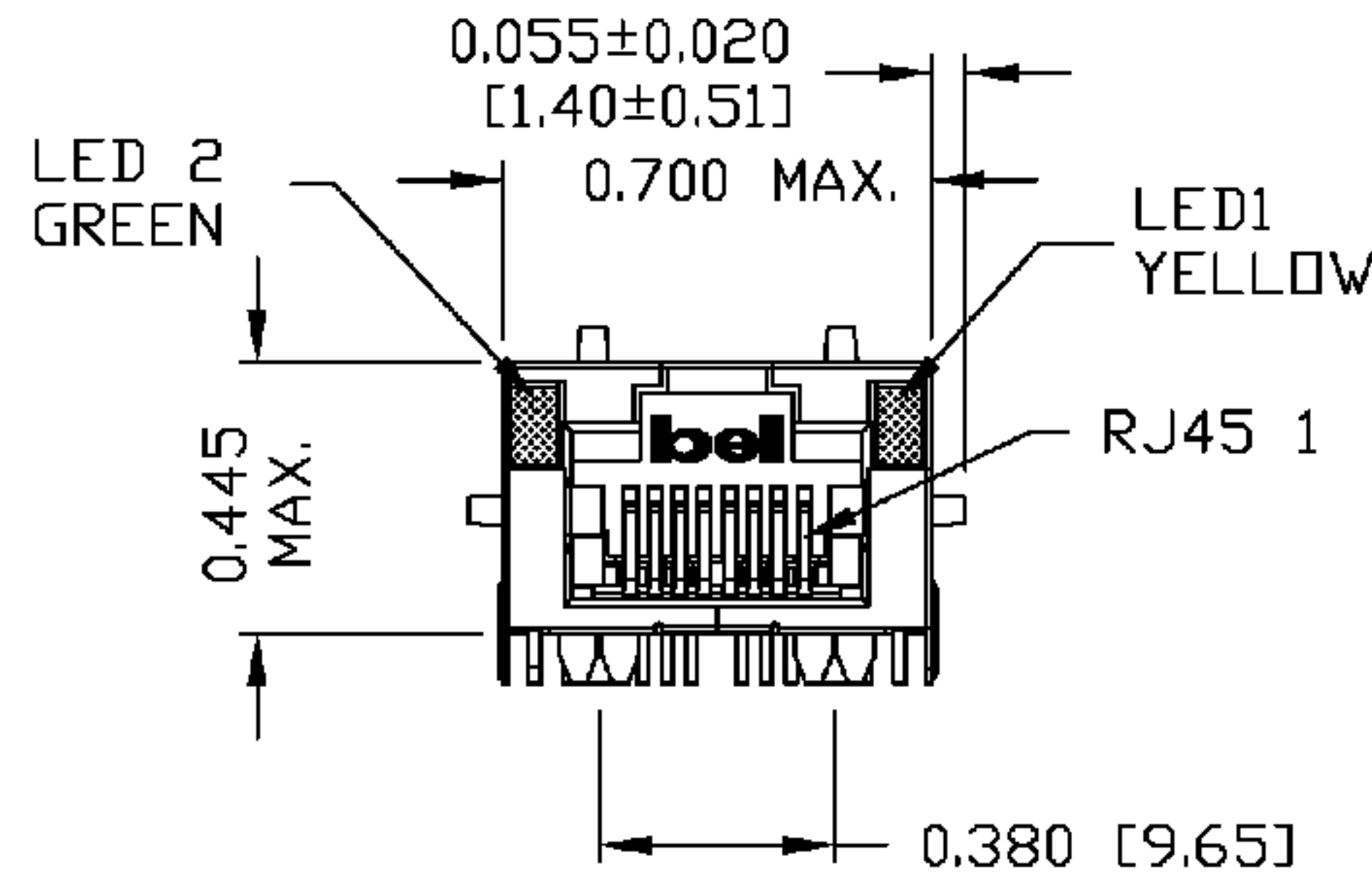
ORIGINATED BY	DATE	TITLE	PART NO. / DRAWING NO.	STANDARD DIM. TOL. IN INCH	[ ] METRIC DIM. AS REFERENCE
CHUNG	12-19-05	gigabit MagJack® (Ultra Low Profile)	L830-1A1T-43	.X	UNIT : INCH [mm] REV. : B
DRAWN BY	DATE		FILE NAME	.XX	SCALE : N/A SIZE : A4
DE	12-19-05		L8301A1T43B.DWG	.XXX	PAGE : 2



THE INFORMATION CONTAINED HEREIN IS CONSIDERED "PROPRIETARY" TO BEL FUSE INC. AND SHALL NOT BE COPIED, REPRODUCED OR DISCLOSED WITHOUT THE WRITTEN APPROVAL OF BEL FUSE INC.

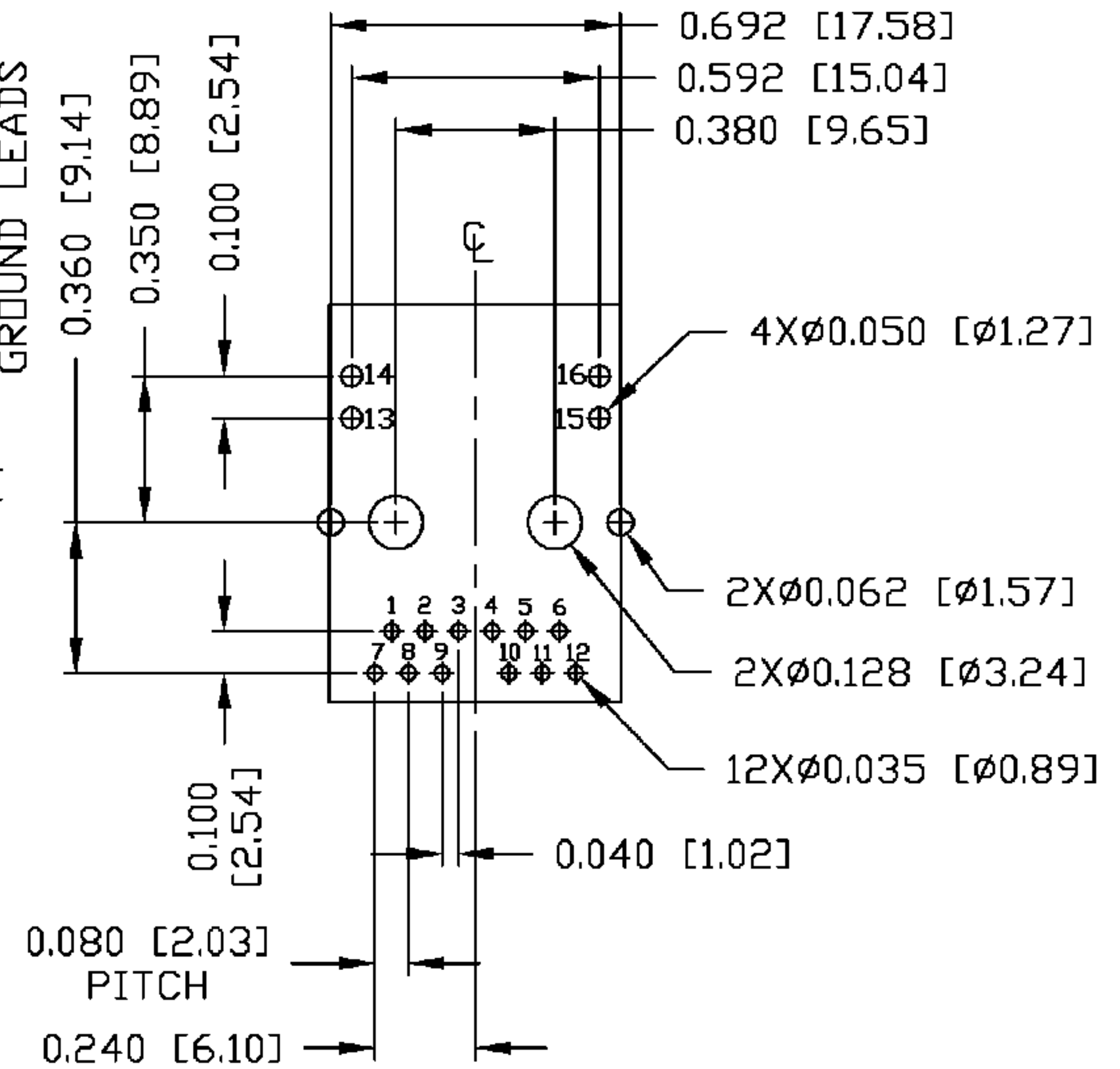


MECHANICAL SPECIFICATION



RECOMMENDED PCB FOOTPRINT

COMPONENT SIDE VIEW



NOTES:

- PLASTIC HOUSING: THERMOPLASTIC PA 4/6.
- FLAMMABILITY RATING UL 94V-0
- CONTACTS: 30 MICRO-INCH HARD GOLD PLATING
- OUTPUT PINS: TIN-COATED COPPER WIRE, DIA 0.018 INCH.
- METAL SHIELD: NICKEL PLATED ON COPPER ALLOY.
- (ALL GROUND LEADS ARE SOLDER DIPPED)

1. MARK PART WITH MFG. LOGO, MFG. NAME, PART NUMBER(L830-1A1T-43), AND DATE CODE.

2. RoHS COMPLIANCE, PER EU DIRECTIVE 2002/95/EC.

**cULus** UL RECOGNIZED - FILE #E196366 AND E169987.

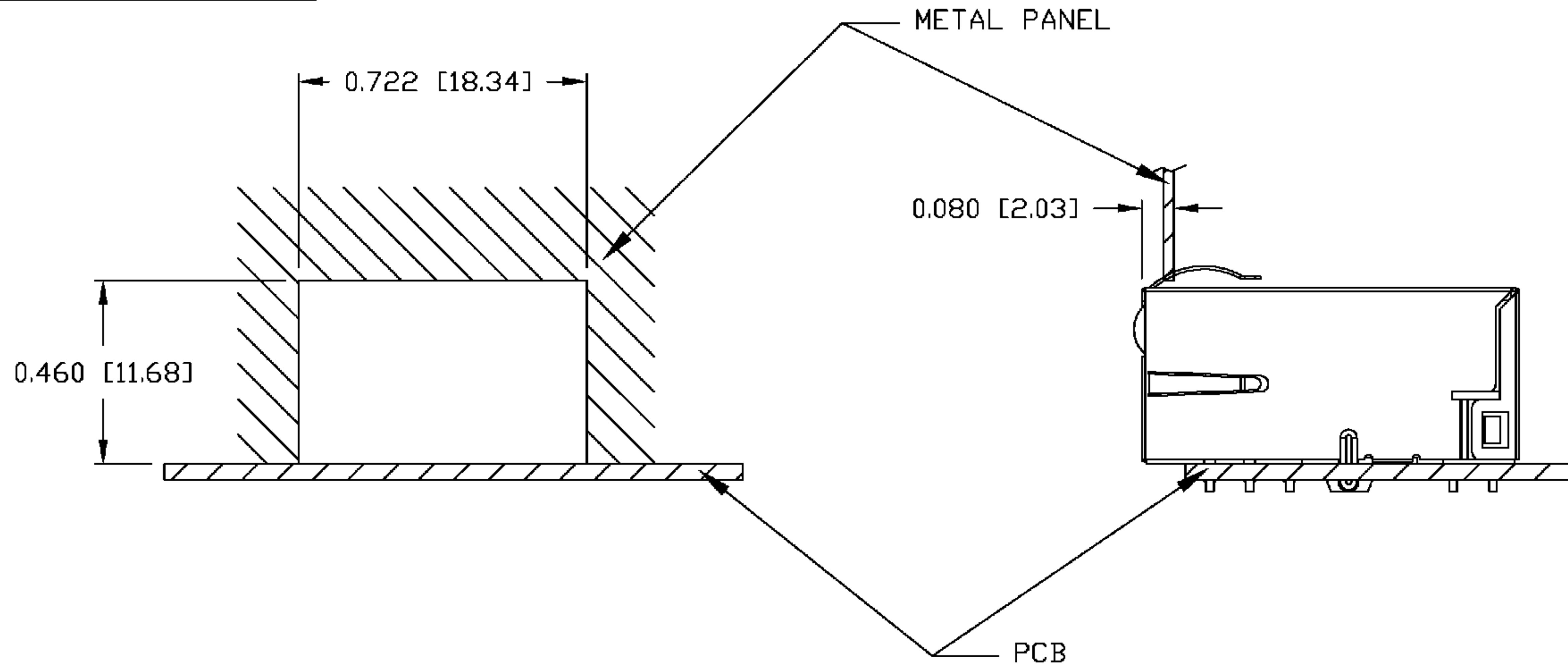
ORIGINATED BY	DATE	TITLE	PART NO. / DRAWING NO.	STANDARD DIM. TOL. IN INCH	[ ] METRIC DIM. AS REFERENCE
BANG	12-19-05	gigabit MagJack® (Ultra Low Profile)	L830-1A1T-43	.X	UNIT : INCH [mm] REV. : B
DRAWN BY	DATE		FILE NAME	.XX	SCALE : N/A SIZE : A4
LING	12-19-05		L8301A1T43B.DWG	.XXX ±0.010	PAGE : 3



THE INFORMATION CONTAINED HEREIN IS CONSIDERED 'PROPRIETARY' TO BEL FUSE INC. AND SHALL NOT BE COPIED, REPRODUCED OR DISCLOSED WITHOUT THE WRITTEN APPROVAL OF BEL FUSE INC.



SUGGESTED PANEL OPENING



NOTE:

THE DISTANCE OF PANEL INSIDE SURFACE RELATIVE TO FRONT SURFACE OF PART IS ONLY A SUGGESTION. IN CASE THIS DISTANCE IS DIFFERENT, THE REQUIRED PANEL OPENING DIMENSIONS CHANGE ACCORDINGLY.

TRAY PACKING INFORMATION

PACKING TRAY : 0200-9999-E4 (TOP)  
0200-9999-E5 (BOTTOM)

PACKING QUANTITY : 60 PCS FINISHED GOODS PER TRAY  
11 TRAYS (660 PCS FINISHED GOODS) PER CARTON BOX

NOTE : CARDBOARDS ARE PLACED BETWEEN LAYERS OF PACKING TRAY INSIDE CARTON BOX  
(INCLUDE THE UPPERMOST AND LOWERMOST TRAY)

ORIGINATED BY BANG	DATE 12-19-05	TITLE gigabit MagJack® (Ultra Low Profile)	PART NO. / DRAWING NO. L830-1A1T-43	STANDARD DIM. TOL. IN INCH	[ ] METRIC DIM. AS REFERENCE	
			FILE NAME L8301A1T43B.DWG	.X .XX .XXX	UNIT : INCH [mm] SCALE : N/A ⊕	REV. : B SIZE : A4 PAGE : 4
DRAWN BY LING	DATE 12-19-05			±0.004	 COMPONENTS ON A CONNECTED PLANET	