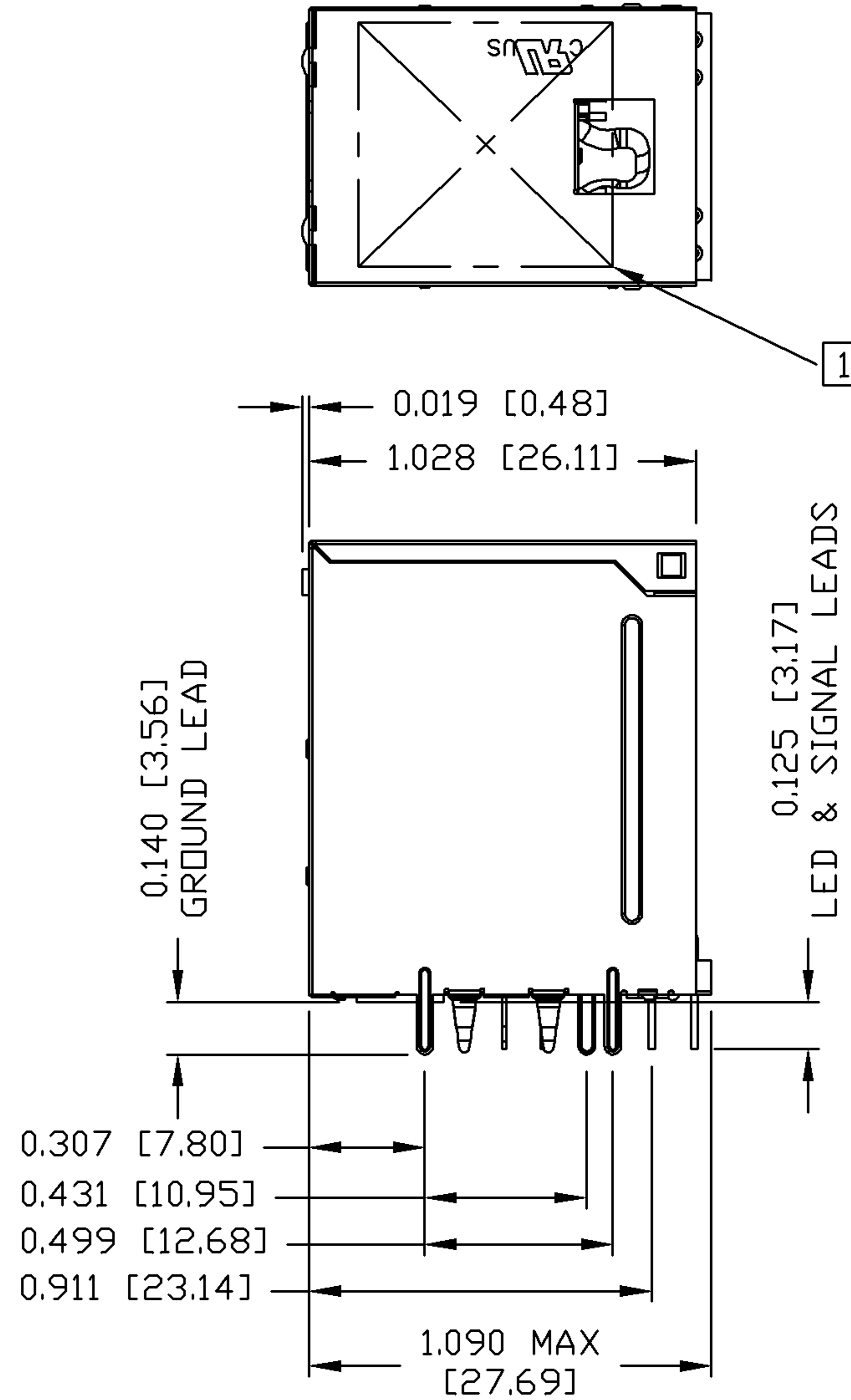
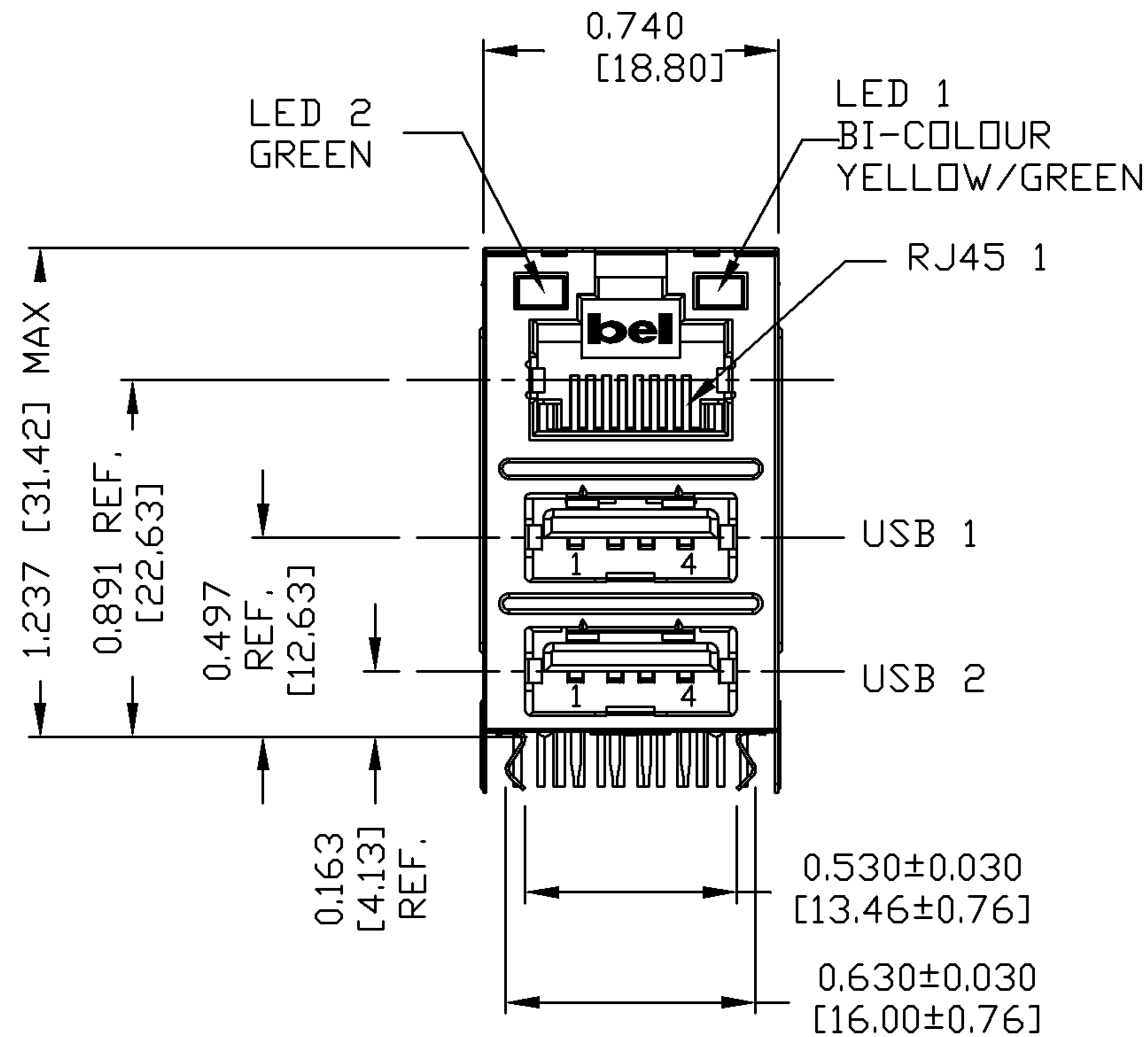


THE INFORMATION CONTAINED HEREIN IS CONSIDERED "PROPRIETARY" TO BEL FUSE INC. AND SHALL NOT BE COPIED, REPRODUCED OR DISCLOSED WITHOUT THE WRITTEN APPROVAL OF BEL FUSE INC.

PRELIMINARY



MECHANICAL SPECIFICATION



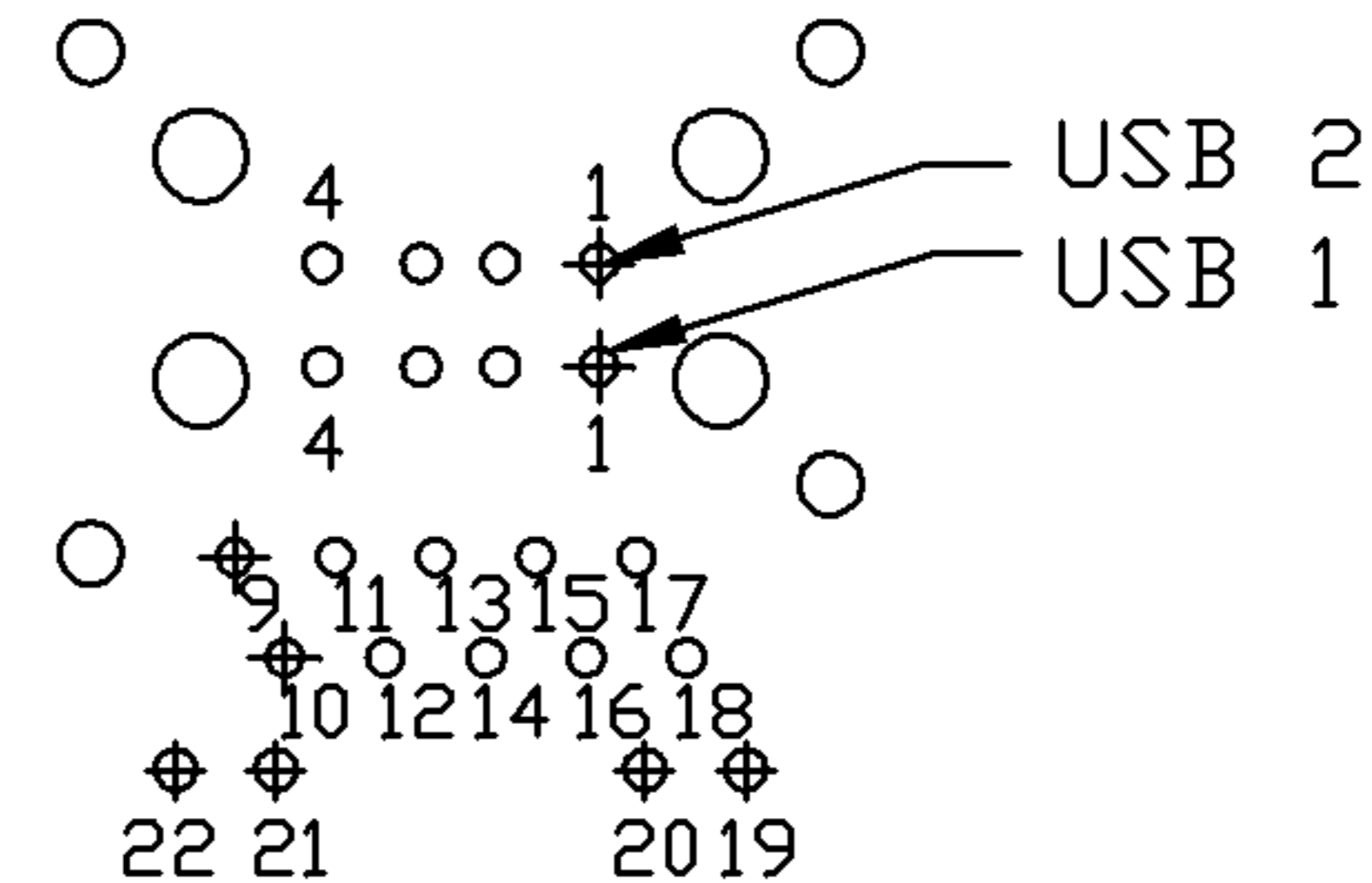
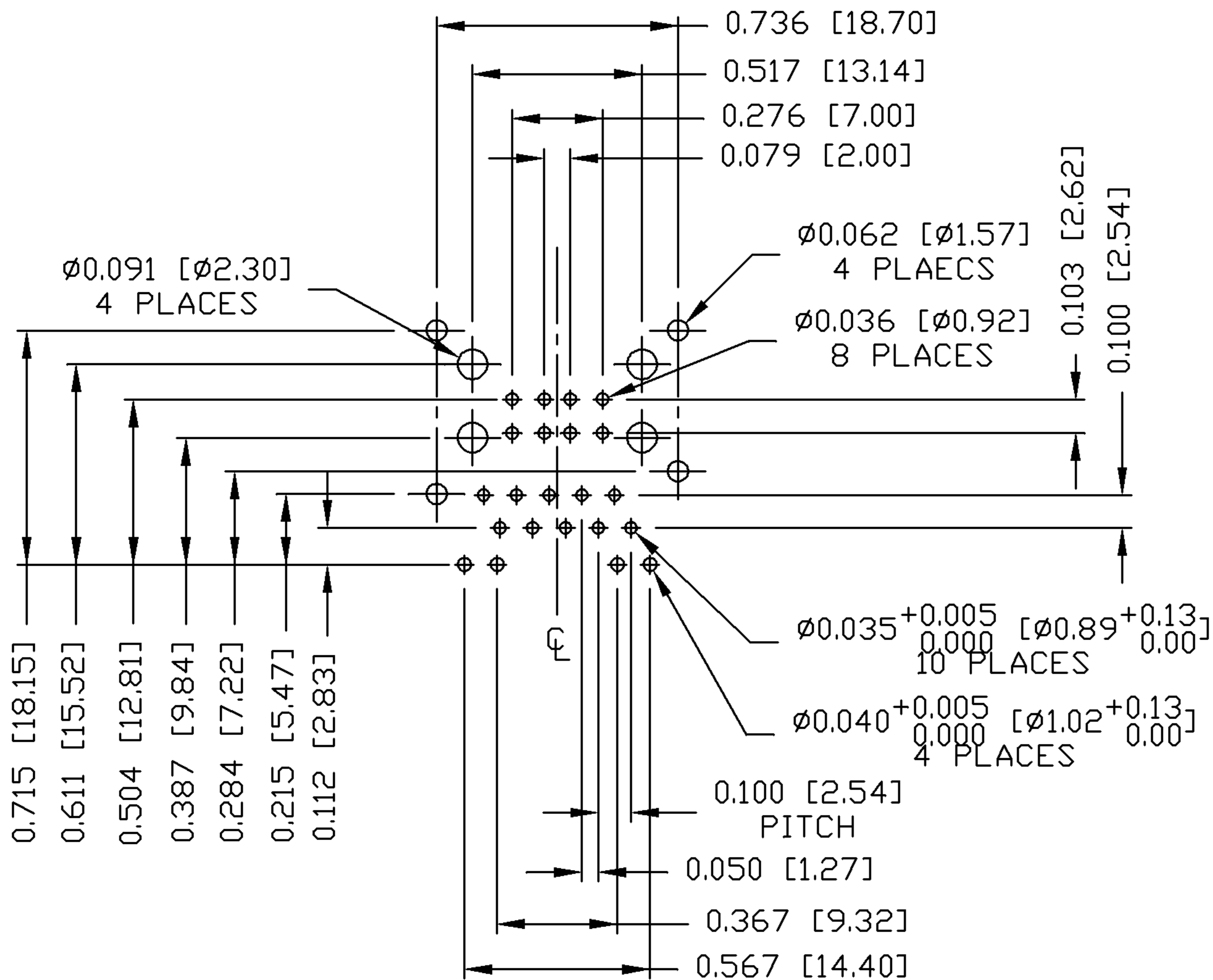
ORIGINATED BY LIU QIN	DATE 12-23-08	TITLE gigabit MagJack® Combo (Staggered pin, 8 cores)	PART NO. / DRAWING NO. C893-1RX1-Y3	STANDARD DIM. TOL. IN INCH	[] METRIC DIM. AS REFERENCE	 COMPONENTS FOR A CONNECTED PLANET
DRAWN BY XIAN JIAXIN	DATE 12-23-08		FILE NAME C893-1RX1-Y3_PB.DWG	.X	UNIT : INCH [mm]	
			.XX	SCALE : N/A	SIZE : A4	
			.XXX	±0.010	PAGE : 3	

THE INFORMATION CONTAINED HEREIN IS CONSIDERED "PROPRIETARY" TO BEL FUSE INC. AND SHALL NOT BE COPIED, REPRODUCED OR DISCLOSED WITHOUT THE WRITTEN APPROVAL OF BEL FUSE INC.

PRELIMINARY



Recommended PCB footprint
Component Side



RJ45 MECHANICAL:

PLASTIC HOUSING:

CONTACTS PLATING:

PINS:

METAL SHIELD:

USB MECHANICAL:

MATING FORCE:

UNMATING FORCE:

CONTACT:

THERMOPLASTIC PBT
FLAMMABILITY RATING UL 94V-0
50 MICRO-INCH HARD GOLD PLATING
TIN-COATED CP WIRE, DIA 0.018 INCH.
NICKEL PLATED ON COPPER ALLOY.
(ALL GROUND LEADS ARE SOLDER DIPPED)

35 NEWTONS MAXIMUM
10 NEWTONS MINIMUM
PHOSPHOR BRONZE
30 MICRO-INCH GOLD PLATING ON CONTACT AREA AND TIN ON SOLDER TAIL.

JACK CAVITY CONFORMS TO FCC RULES AND REGULATIONS.

1. MARK PART WITH MFG LOGO, MFG NAME, PART NUMBER, AND DATE CODE.

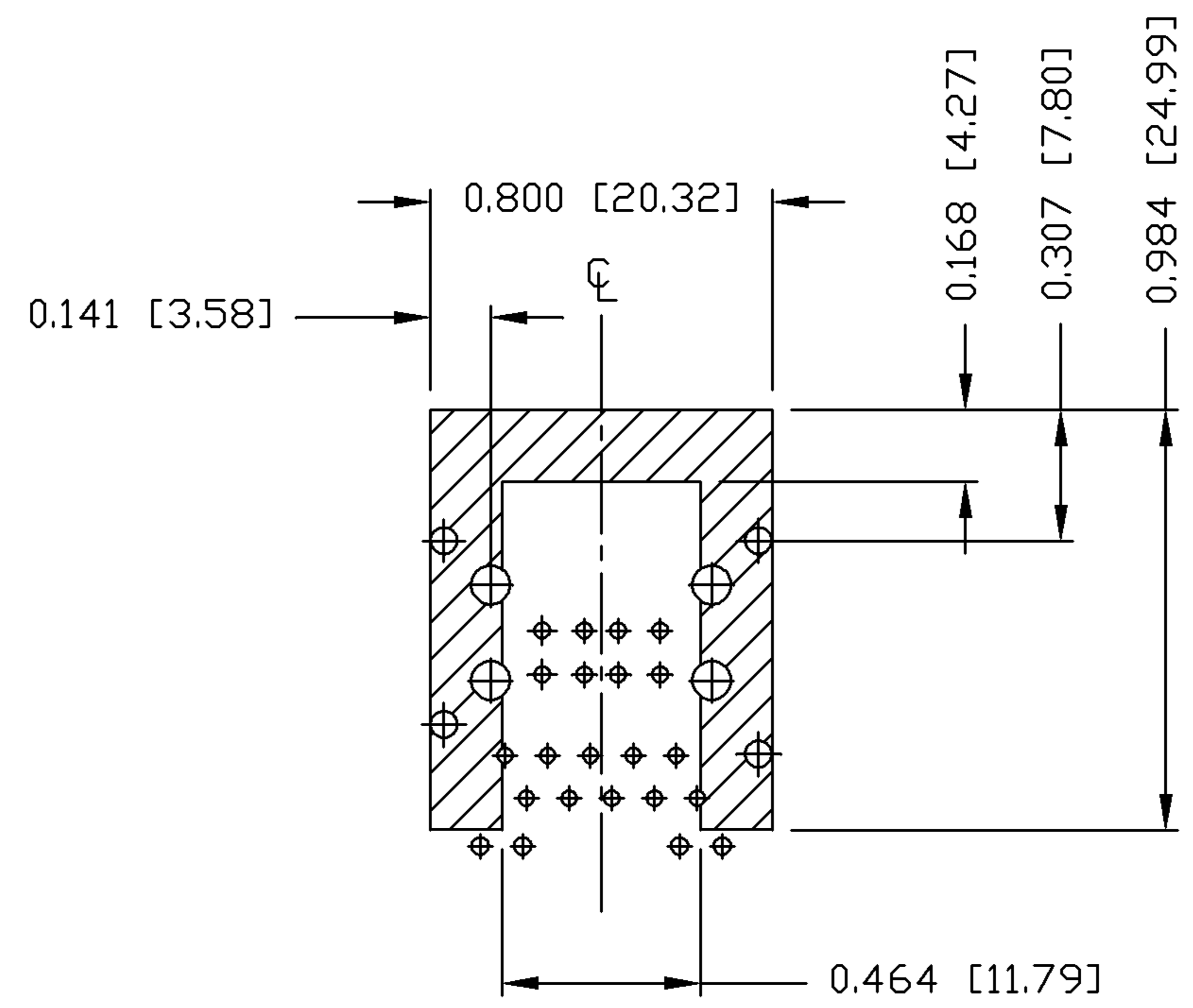
UL RECOGNIZED - FILE #E196366 AND E169987.
RoHS COMPLIANCE, PER EU DIRECTIVE 2002/95/EC.

ORIGINATED BY LIU QIN	DATE 12-23-08	TITLE gigabit MagJack® Combo (Staggered pin, 8 cores)	PART NO. / DRAWING NO. C893-1RX1-Y3	STANDARD DIM. TOL. IN INCH	[] METRIC DIM. AS REFERENCE
DRAWN BY XIAN JIAXIN	DATE 12-23-08		FILE NAME C893-1RX1-Y3_PB.DWG	.X .XX .XXX ±0.004	UNIT : INCH [mm] SCALE : N/A



THE INFORMATION CONTAINED HEREIN IS CONSIDERED "PROPRIETARY" TO BEL FUSE INC. AND SHALL NOT BE COPIED, REPRODUCED OR DISCLOSED WITHOUT THE WRITTEN APPROVAL OF BEL FUSE INC.

PRELIMINARY



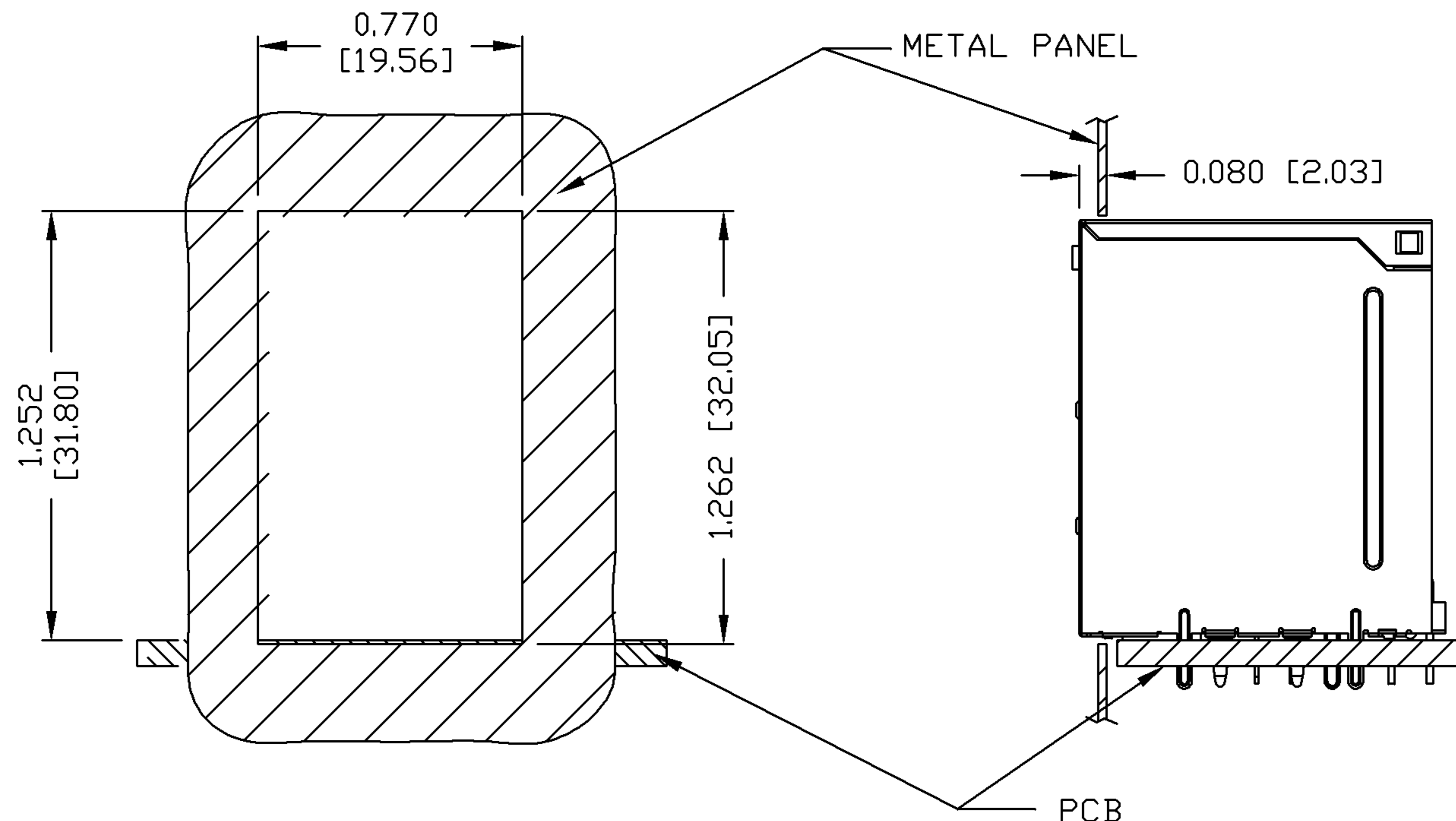
THE SHADED AREA ON THE CUSTOMER BOARD ARE RECOMMENDED TO BE CLEAR OFF ANY VIA HOLE OR COMPONENT PAD.

ORIGINATED BY LIU QIN	DATE 12-23-08	TITLE gigabit MagJack® Combo (Staggered pin, 8 cores)	PART NO. / DRAWING NO. C893-1RX1-Y3	STANDARD DIM. TOL. IN INCH	[] METRIC DIM. AS REFERENCE	 COMPONENTS FOR A CONNECTED PLANET
DRAWN XIAN JIAXIN	DATE 12-23-08		FILE NAME C893-1RX1-Y3_PB.DWG	.X	UNIT : INCH [mm]	
			.XX	SCALE : N/A	SIZE : A4	
			.XXX	±0.004	PAGE : 5	

THE INFORMATION CONTAINED HEREIN IS CONSIDERED "PROPRIETARY" TO BEL FUSE INC. AND SHALL NOT BE COPIED, REPRODUCED OR DISCLOSED WITHOUT THE WRITTEN APPROVAL OF BEL FUSE INC.

SUGGESTED PANEL OPENING

PRELIMINARY



NOTE:

THE DISTANCE OF PANEL INSIDE SURFACE RELATIVE TO FRONT SURFACE OF PART IS ONLY A SUGGESTION. IN CASE THIS DISTANCE IS DIFFERENT, THE REQUIRED PANEL OPENING DIMENSIONS CHANGE ACCORDINGLY.

PACKING INFORMATION

PACKING TRAY : 0200-9999-H3 (TOP)
0200-9999-H4 (BOTTOM)

PACKING QUANTITY : 35 PCS FINISHED GOODS PER TRAY
9 TRAYS (315 PCS FINISHED GOODS) PER CARTON BOX

NOTE : CARDBOARDS ARE PLACED BETWEEN LAYERS OF PACKING TRAY INSIDE CARTON BOX
(INCLUDE THE UPPERMOST AND LOWERMOST TRAY)

ORIGINATED BY LIU QIN	DATE 12-23-08	TITLE gigabit MagJack® Combo (Staggered pin, 8 cores)	PART NO. / DRAWING NO. C893-1RX1-Y3	STANDARD DIM. TOL. IN INCH	[] METRIC DIM. AS REFERENCE
DRAWN BY XIAN JIAXIN	DATE 12-23-08		FILE NAME C893-1RX1-Y3_PB.DWG	.X .XX .XXX	±0.004

