

THE INFORMATION CONTAINED HEREIN IS CONSIDERED "PROPRIETARY" TO BEL FUSE INC. AND SHALL NOT BE COPIED, REPRODUCED OR DISCLOSED WITHOUT THE WRITTEN APPROVAL OF BEL FUSE INC.

RoHS
2002/95/EC



LED1 POLARITY			LED2 POLARITY		
PIN 21	PIN 22	COLOR	PIN 19	PIN 20	COLOR
+	-	GREEN	+	-	GREEN
-	+	YELLOW			

ELECTRICAL CHARACTERISTICS @ 25°C

TURNS RATIO

TX 1CT : 1CT ±3%
RX 1CT : 1CT ±3%

DCL @ 100kHz,100mVRMS

8mA DC BIAS 350µH MIN

INS. LOSS

100KHz TO 100MHz -1.1 dB MAX

RET. LOSS

1MHz-30MHz -18 dB MIN

30MHz-80MHz -12 dB MIN

CM TO CM REJ

100kHz - 100MHz -30 dB Min

CM TO DM REJ

100kHz - 100MHz -35 dB Min

CROSS TALK

1MHz - 100MHz -30 dB Min

HIPOT (Isolation Voltage)

1500 Vrms or 2250VDC

LEAKAGE INDUCTANCE

PRIMARY W/ SECONDARY 0.3uH Max. @ 1MHz

INTERWINDING CAPACITANCE

PER CHANNEL (PRI. TO SEC.) 30pF Max @ 1MHz

DC RESISTANCE

(RJ1-RJ2)=(RJ3-RJ6) 1.4 ohms Max

LED 1

VF (FORWARD VOLTAGE) IF=20mA GREEN 2.2V TYP.
YELLOW 2.1V TYP.

λD (DOMINANT WAVELENGTH) IF=20mA GREEN 565nm TYP.
YELLOW 590nm TYP.

LED 2

VF (FORWARD VOLTAGE) IF=20mA GREEN 2.2V TYP.
λD (DOMINANT WAVELENGTH) IF=20mA GREEN 565nm TYP.

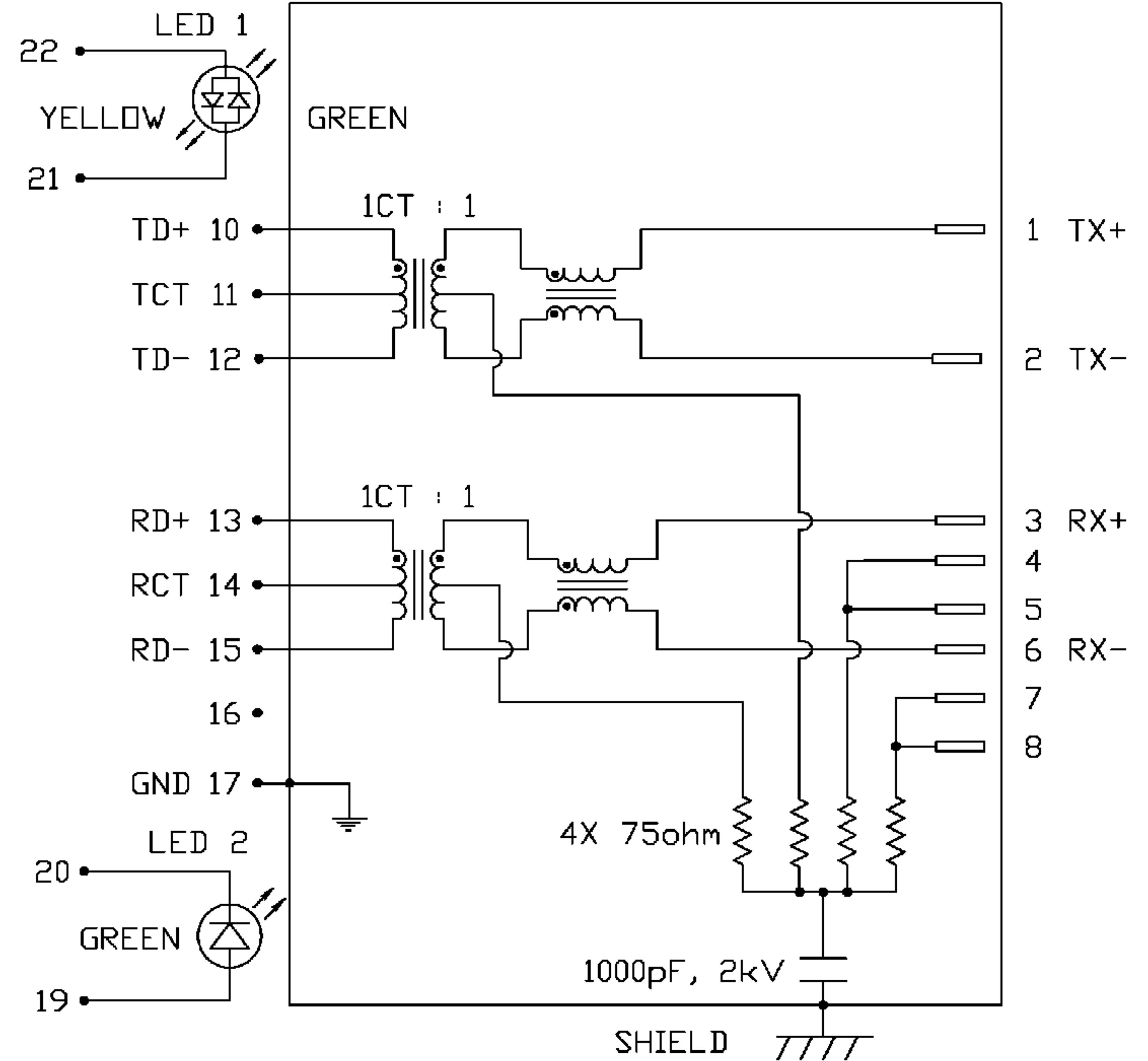
USB ELECTRICAL:

INSULATION RESISTANCE: 1000 MEGA Ω (MIN)

CONTACT RESISTANCE: 25 MILLI Ω (MAX)

DIELECTRIC WITHSTANDING: 750 VAC

SCHEMATIC



ORIGINATED BY	DATE	TITLE	PART NO. / DRAWING NO.	STANDARD DIM. TOL. IN INCH	[] METRIC DIM. AS REFERENCE
CHUNG	04-12-06	MagJack® Combo (Staggered pin)	C893-1LX1-E5	.X	UNIT : INCH [mm] REV. : B
DRAWN BY	DATE		FILE NAME	.XX	SCALE : N/A SIZE : A4
DE	04-12-06		C8931LX1E5B.DWG	.XXX	⊕ — [] — PAGE : 2

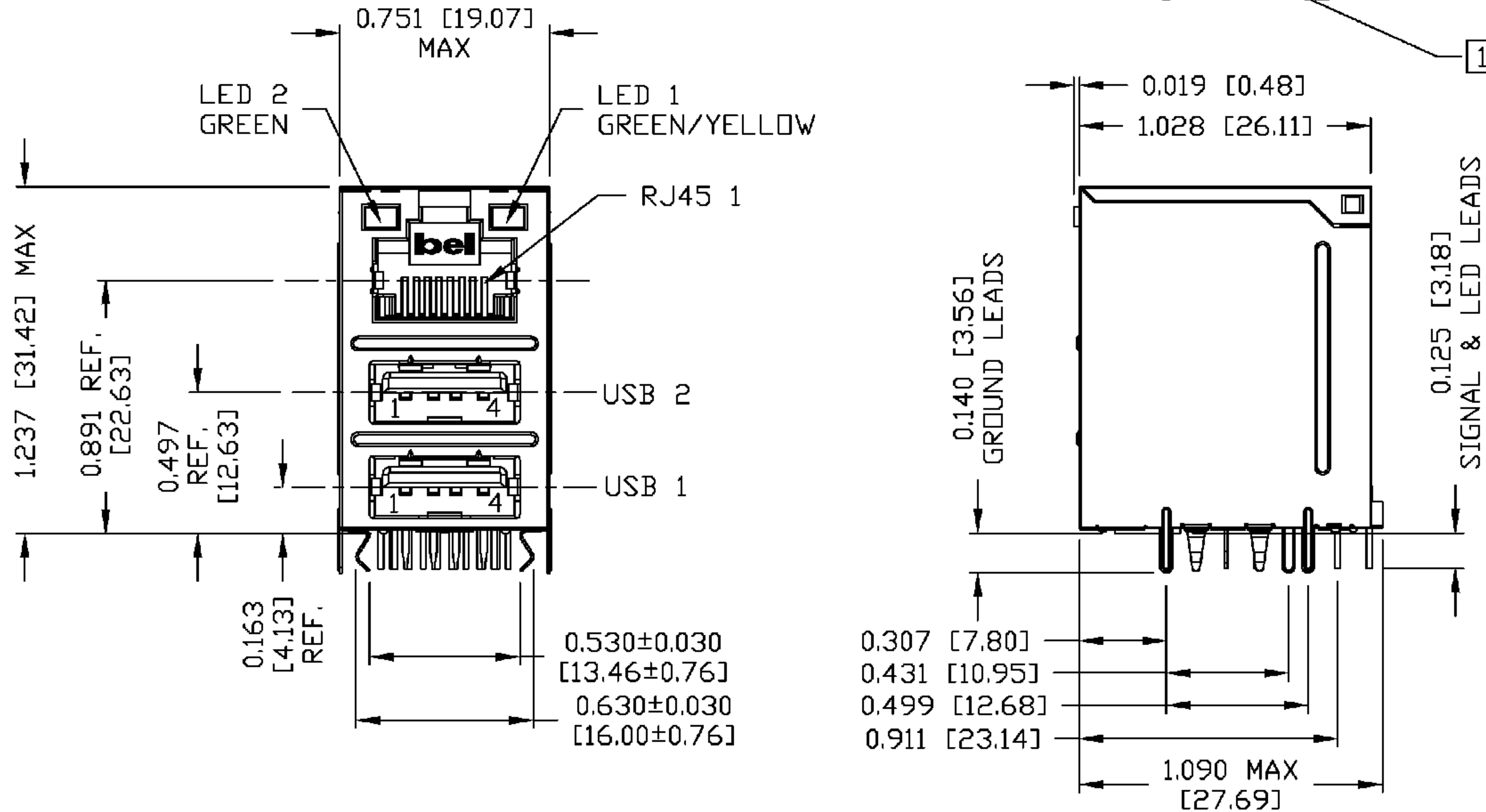


THE INFORMATION CONTAINED HEREIN IS CONSIDERED "PROPRIETARY" TO BEL FUSE INC. AND SHALL NOT BE COPIED, REPRODUCED OR DISCLOSED WITHOUT THE WRITTEN APPROVAL OF BEL FUSE INC.

RoHS
2002/95/EC



MECHANICAL SPECIFICATION



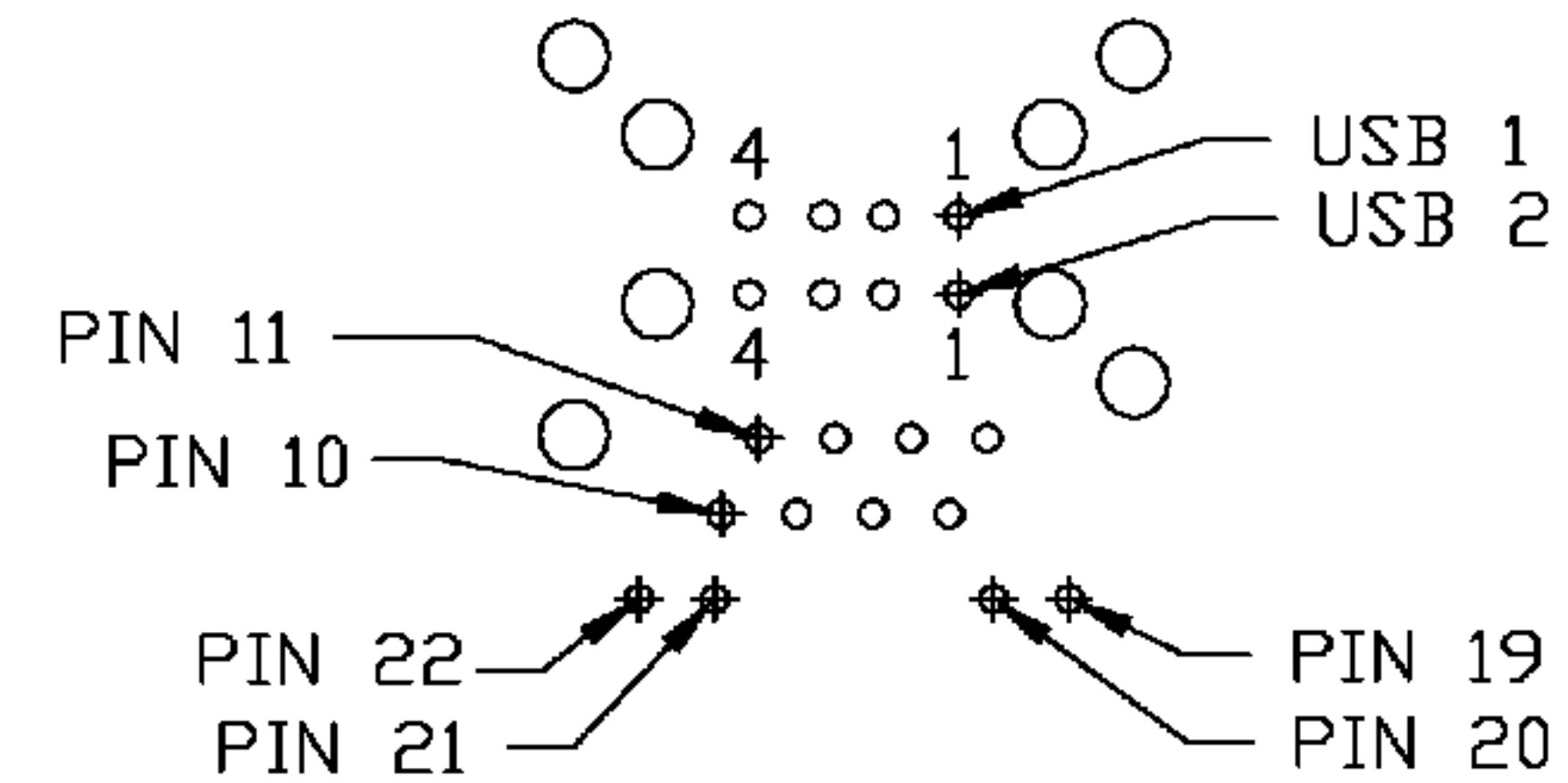
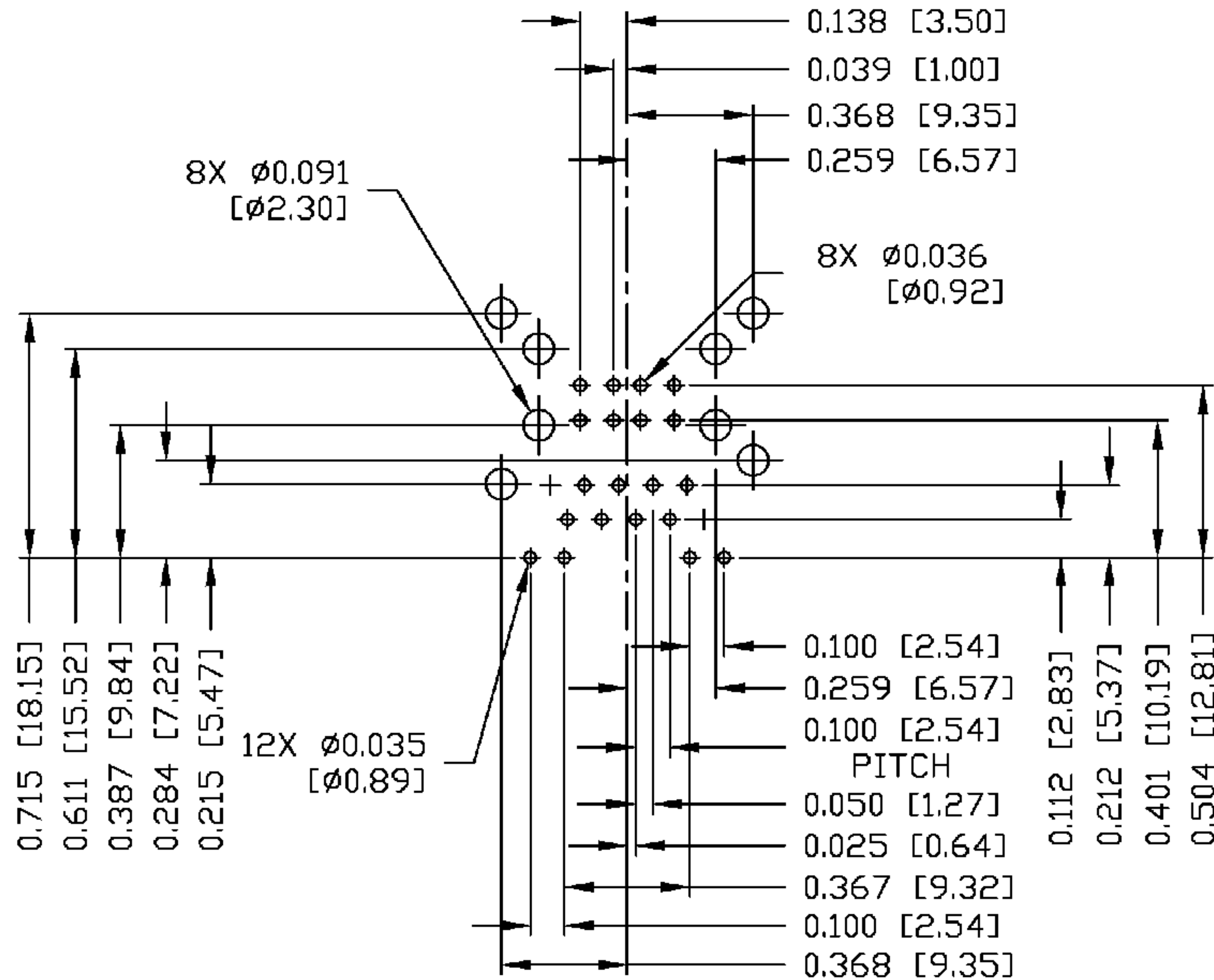
ORIGINATED BY QIN	DATE 04-12-06	TITLE MagJack® Combo (Staggered pin)	PART NO. / DRAWING NO. C893-1LX1-E5	STANDARD DIM. TOL. IN INCH	[] METRIC DIM. AS REFERENCE	 COMPONENTS FOR A CONNECTED PLANET
DRAWN BY TING	DATE 04-12-06		FILE NAME C8931LX1E5B.DWG	.X	UNIT : INCH [mm]	
			.XX	SCALE : N/A	SIZE : A4	
			.XXX ±0.010		PAGE : 3	

THE INFORMATION CONTAINED HEREIN IS CONSIDERED "PROPRIETARY" TO BEL FUSE INC. AND SHALL NOT BE COPIED, REPRODUCED OR DISCLOSED WITHOUT THE WRITTEN APPROVAL OF BEL FUSE INC.

RoHS
2002/95/EC



Recommended PCB footprint
Component Side



RJ45 MECHANICAL:

PLASTIC HOUSING:

CONTACTS PLATING:

PINS:

METAL SHIELD:

THERMOPLASTIC PBT
FLAMMABILITY RATING UL 94V-0
50 MICRO-INCH HARD GOLD PLATING
TIN-COATED CP WIRE, DIA 0.018 INCH.
NICKEL PLATED ON COPPER ALLOY.
(ALL GROUND LEADS ARE SOLDER DIPPED)

USB MECHANICAL:

MATING FORCE:

UNMATING FORCE:

CONTACTS:

35 NEWTONS MAXIMUM
10 NEWTONS MINIMUM
PHOSPHOR BRONZE
30 MICRO-INCH GOLD PLATING ON CONTACT AREA AND TIN ON SOLDER TAIL.

1. MARK PART WITH MFG LOGO, MFG NAME, PART NUMBER, AND DATE CODE.

UL RECOGNIZED - FILE #E196366 AND E169987.

RoHS COMPLIANCE, PER EU DIRECTIVE 2002/95/EC.

JACK CAVITY CONFORMS TO FCC RULES AND REGULATIONS.

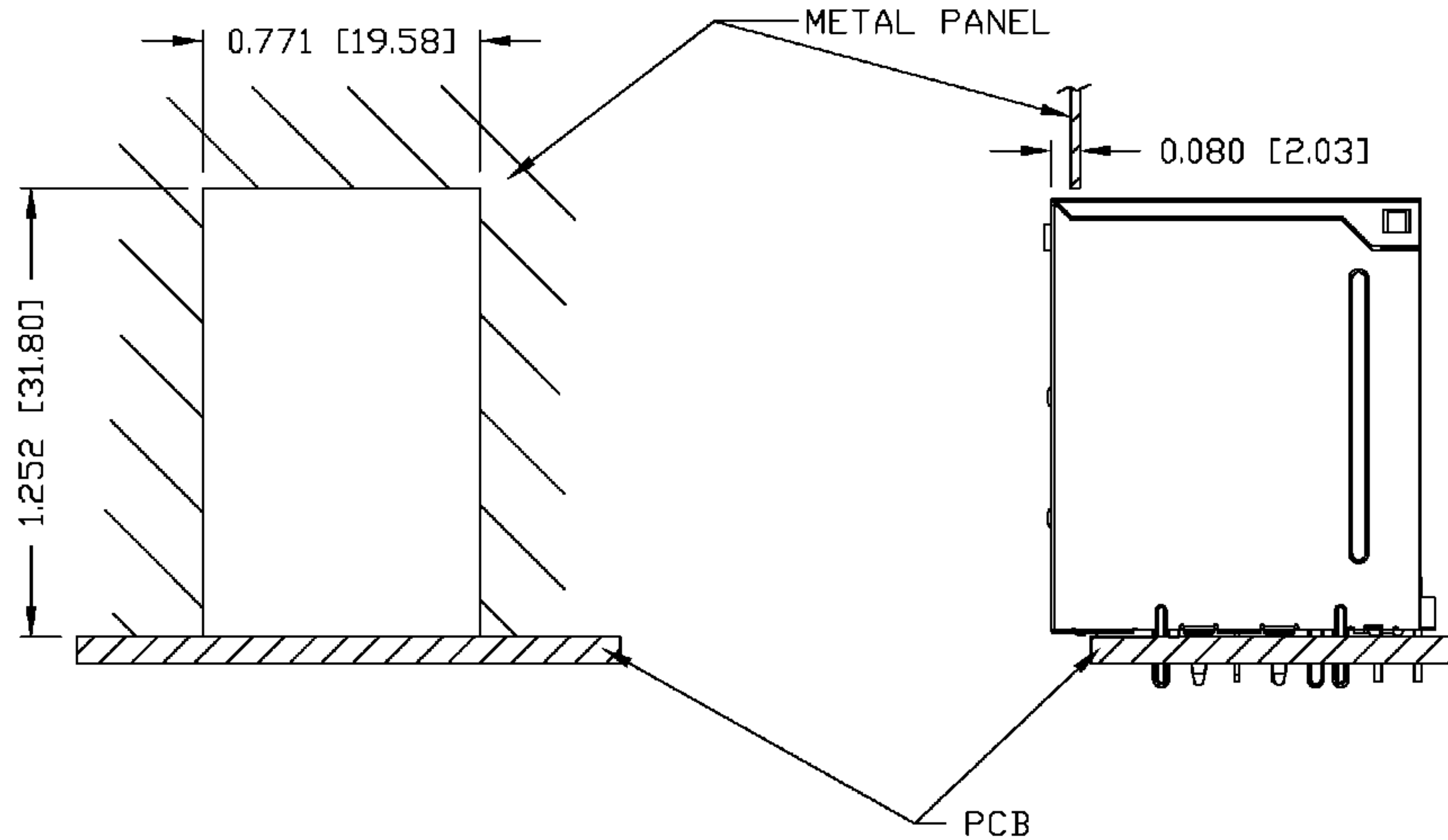
ORIGINATED BY	DATE	TITLE	PART NO. / DRAWING NO.	STANDARD DIM. TOL. IN INCH	[] METRIC DIM. AS REFERENCE
QIN	04-12-06	MagJack® Combo (Staggered pin)	C893-1LX1-E5	.X	UNIT : INCH [mm] REV. : B
DRAWN BY	DATE		FILE NAME	.XX	SCALE : N/A SIZE : A4
TING	04-12-06		C8931LX1E5B.DWG	.XXX ±0.004	SCALE : N/A SIZE : A4 PAGE : 4



THE INFORMATION CONTAINED HEREIN IS CONSIDERED "PROPRIETARY" TO BEL FUSE INC. AND SHALL NOT BE COPIED, REPRODUCED OR DISCLOSED WITHOUT THE WRITTEN APPROVAL OF BEL FUSE INC.



SUGGESTED PANEL OPENING



NOTE:

THE DISTANCE OF PANEL INSIDE SURFACE RELATIVE TO FRONT SURFACE OF PART IS ONLY A SUGGESTION. IN CASE THIS DISTANCE IS DIFFERENT, THE REQUIRED PANEL OPENING DIMENSIONS CHANGE ACCORDINGLY.

PACKING INFORMATION

PACKING TRAY : 0200-9999-H3 (TOP)
0200-9999-H4 (BOTTOM)

PACKING QUANTITY : 35 PCS FINISHED GOODS PER TRAY
9 TRAYS (315 PCS FINISHED GOODS) PER CARTON BOX

NOTE : CARDBOARDS ARE PLACED BETWEEN LAYERS OF PACKING TRAY INSIDE CARTON BOX
(INCLUDE THE UPPERMOST AND LOWERMOST TRAY)

ORIGINATED BY QIN	DATE 04-12-06	TITLE MagJack® Combo (Staggered pin)	PART NO. / DRAWING NO. C893-1LX1-E5	STANDARD DIM. TOL. IN INCH	[] METRIC DIM. AS REFERENCE	
	DRAWN BY TING		DATE 04-12-06	FILE NAME C8931LX1E5B.DWG	.X .XX .XXX	UNIT : INCH [mm] SCALE : N/A
				±0.004		

