

THE INFORMATION CONTAINED HEREIN IS CONSIDERED "PROPRIETARY" TO BEL FUSE INC. AND SHALL NOT BE COPIED, REPRODUCED OR DISCLOSED WITHOUT THE WRITTEN APPROVAL OF BEL FUSE INC.

LED1 POLARITY			LED2 POLARITY		
PIN 21	PIN 22	COLOR	PIN 19	PIN 20	COLOR
-	+	YELLOW	-	+	GREEN

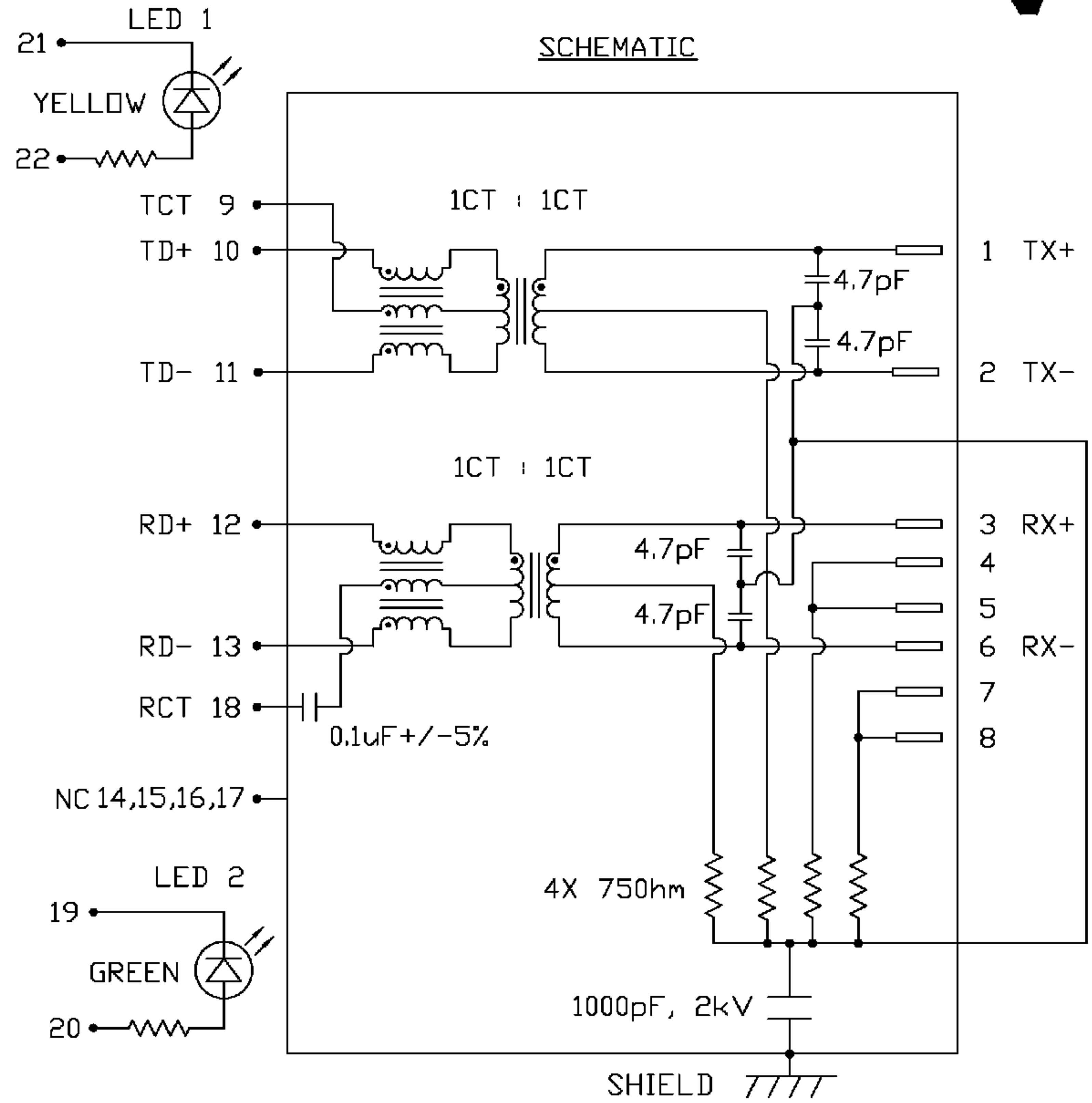
PRELIMINARY



ELECTRICAL CHARACTERISTICS @ 25°C

URNS RATIO TX RX DCL @ 100kHz/100mVRMS 8mA DC BIAS (0°C - 70°C) INS. LOSS 1MHz TO 100MHz RET. LOSS (MIN) 1MHz-30MHz 30MHz-60MHz 60MHz-80MHz CROSS TALK (TX - RX) 100kHz-100MHz CM TO CM REJ 100kHz-100MHz CM TO DM REJ 100kHz-100MHz HIPOT (Isolation Voltage): 100% OF PRODUCT TESTED IN PRODUCTION TO COMPLY WITH IEEE 802.3 REQUIREMENTS	1CT : 1 ±2% 1CT : 1 ±2% 350µH MIN. -1.0 dB MAX -18 dB -18+20LOG(F/30MHz) dB -12 dB -35 dB MIN -30 dB MIN -35 dB MIN 2250VDC 2250VDC
--	--

LED 1	VF (FORWARD VOLTAGE)	IF=20mA	YELLOW	2.1V TYP.
	λD (DOMINANT WAVELENGTH)	IF=20mA	YELLOW	590nm TYP.
LED 2	VF (FORWARD VOLTAGE)	IF=20mA	GREEN	2.2V TYP.
	λD (DOMINANT WAVELENGTH)	IF=20mA	GREEN	565nm TYP.
USB ELECTRICAL:				
INSULATION RESISTANCE: 1000 MEGA Ω (MIN)				
CONTACT RESISTANCE: 25 MILLI W (MAX)				
DIELECTRIC WITHSTANDING: 750 VAC				

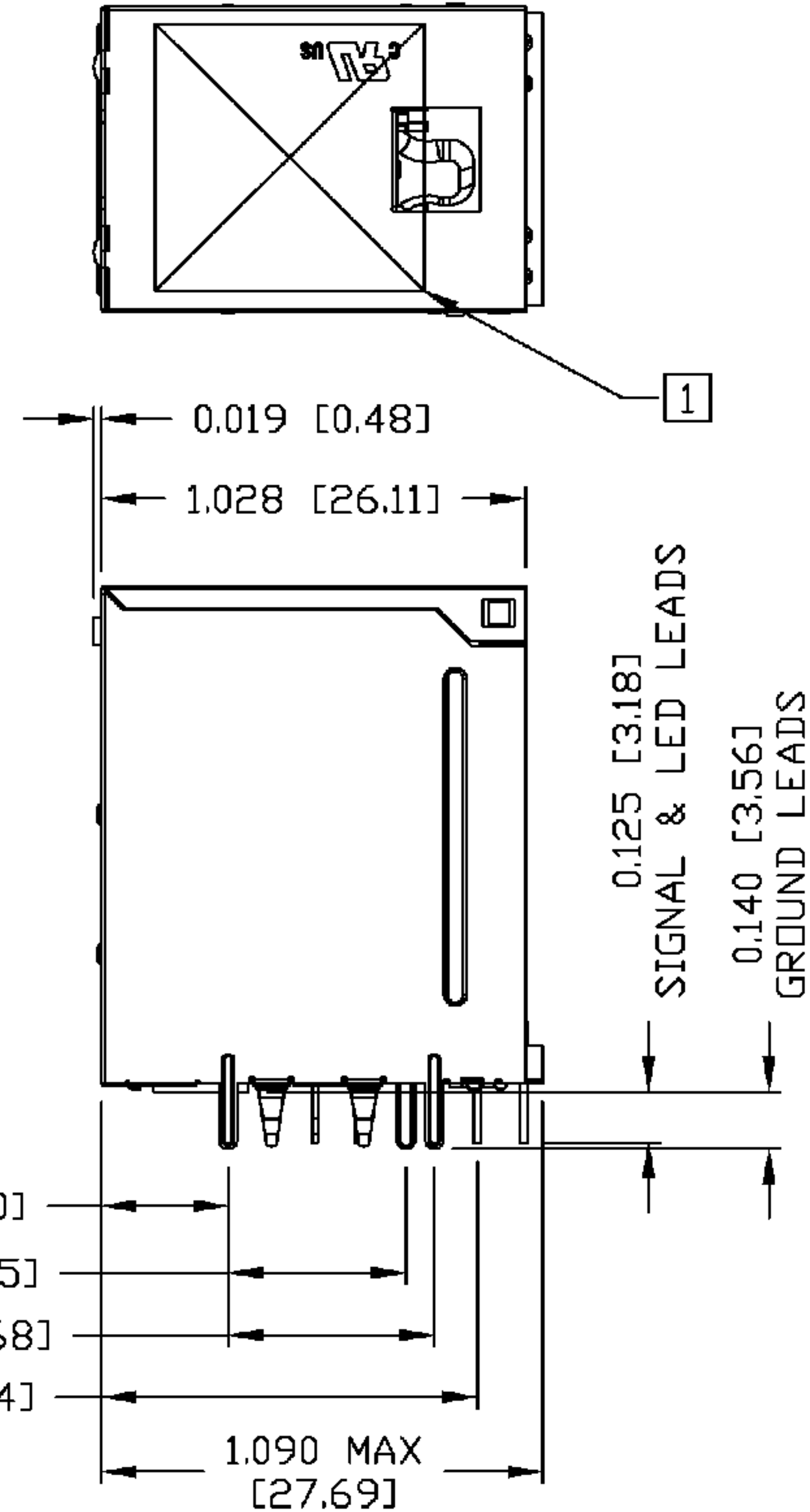
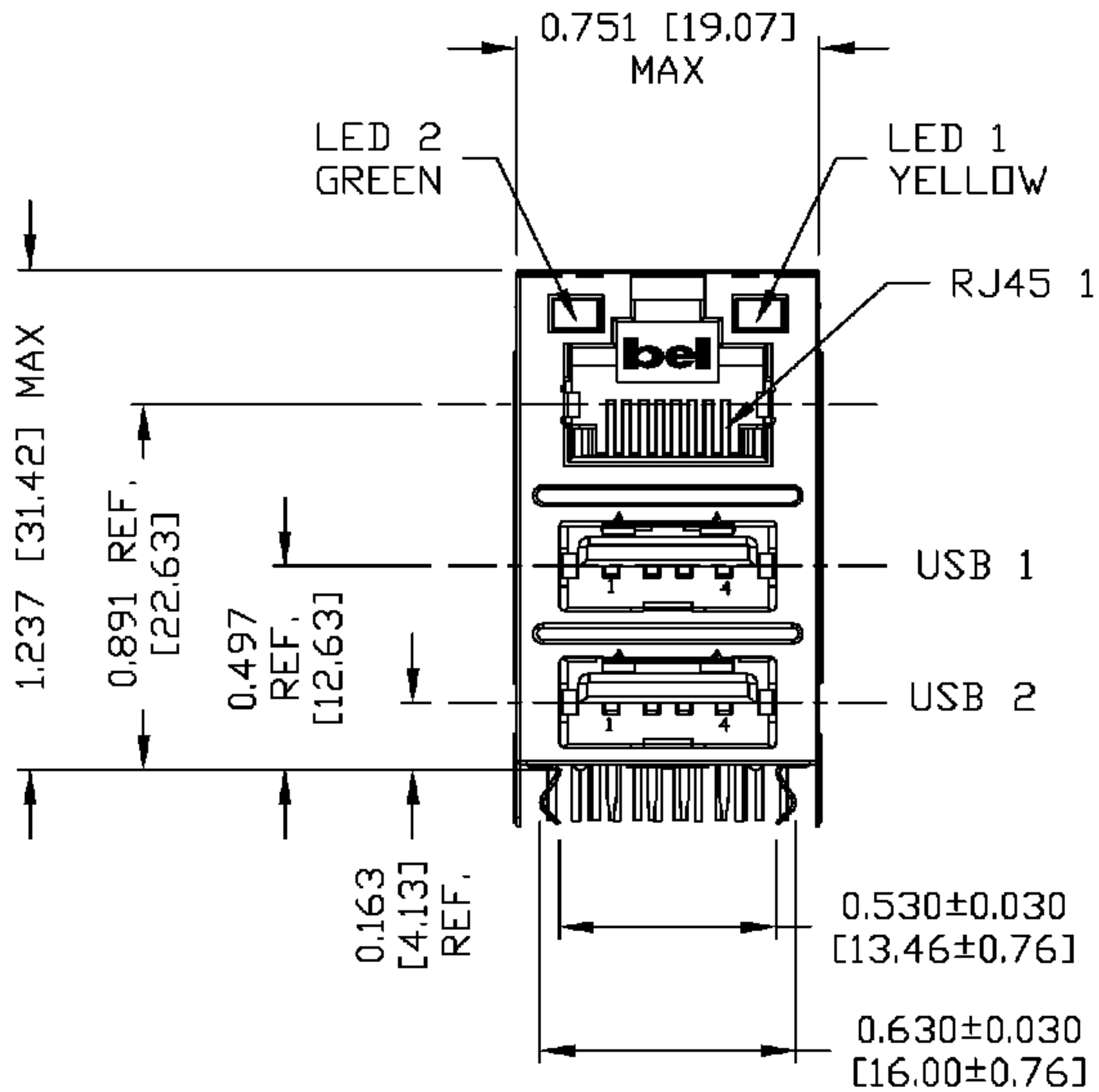


ORIGINATED BY CHUNG	DATE 04-17-06	TITLE MagJack® Combo (staggered pin)	PART NO. / DRAWING NO. C893-1AX1-J9	STANDARD DIM. TOL. IN INCH .X .XX .XXX	[] METRIC DIM. AS REFERENCE UNIT : INCH [mm] SCALE : N/A	REV. : PB SIZE : A4 PAGE : 2	bel COMPONENTS FOR A CONNECTED PLANET
DRAWN BY DE	DATE 04-17-06		FILE NAME C8931AX1J9PB.DWG				

THE INFORMATION CONTAINED HEREIN IS CONSIDERED "PROPRIETARY" TO BEL FUSE INC. AND SHALL NOT BE COPIED, REPRODUCED OR DISCLOSED WITHOUT THE WRITTEN APPROVAL OF BEL FUSE INC.

MECHANICAL SPECIFICATION

PRELIMINARY



ORIGINATED BY QIN	DATE 04-17-06	TITLE MagJack® Combo (staggered pin)	PART NO. / DRAWING NO. C893-1AX1-J9	STANDARD DIM. TOL. IN INCH	[] METRIC DIM. AS REFERENCE	 COMPONENTS FOR A CONNECTED PLANET
DRAWN BY TING	DATE 04-17-06		FILE NAME C8931AX1J9PB.DWG	.X	UNIT : INCH [mm]	
			.XX	SCALE : N/A	SIZE : A4	
			.XXX ±0.010		PAGE : 3	

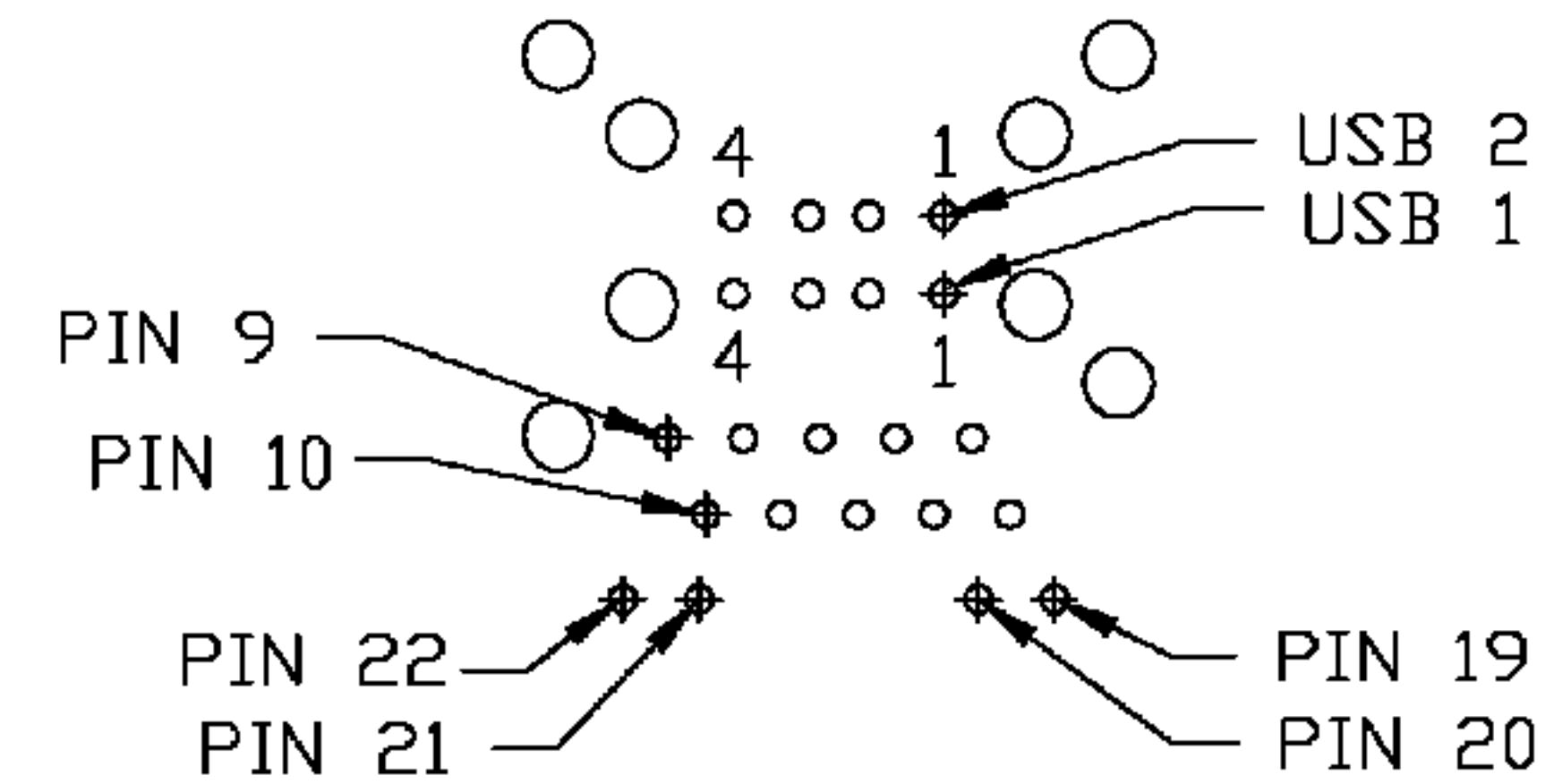
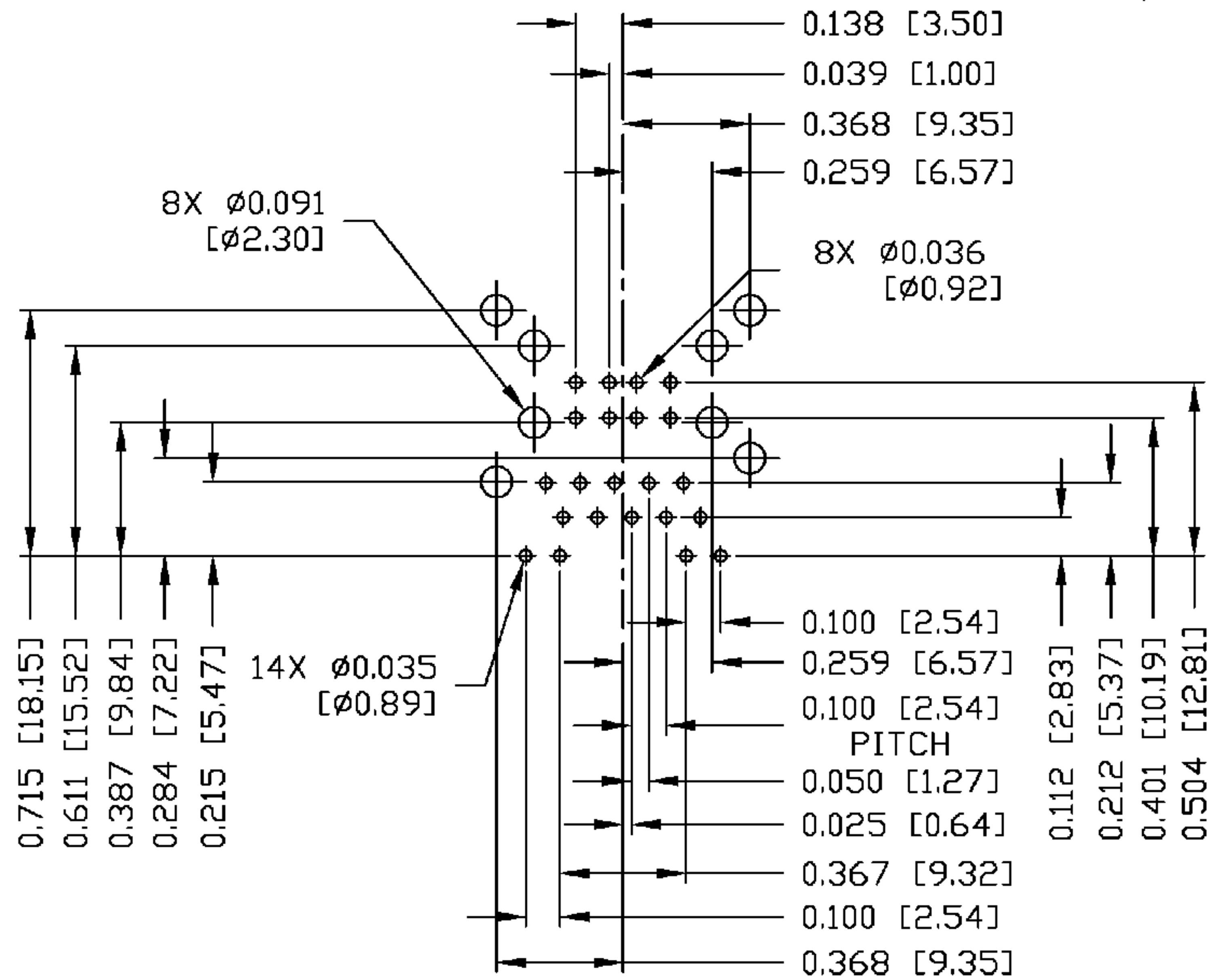
THE INFORMATION CONTAINED HEREIN IS CONSIDERED "PROPRIETARY" TO BEL FUSE INC. AND SHALL NOT BE COPIED, REPRODUCED OR DISCLOSED WITHOUT THE WRITTEN APPROVAL OF BEL FUSE INC.

RoHS
2002/95/EC



PRELIMINARY

Recommended PCB footprint
Component Side



RJ45 MECHANICAL:

PLASTIC HOUSING: THERMOPLASTIC PBT
FLAMMABILITY RATING UL 94V-0
CONTACTS PLATING: 50 MICRO-INCH HARD GOLD PLATING
PINS: TIN-COATED CP WIRE, DIA 0.018 INCH.
METAL SHIELD: NICKEL PLATED ON COPPER ALLOY.
(ALL GROUND LEADS ARE SOLDER DIPPED)

USB MECHANICAL:

MATING FORCE: 35 NEWTONS MAXIMUM
UNMATING FORCE: 10 NEWTONS MINIMUM
CONTACT: PHOSPHOR BRONZE
30 MICRO-INCH GOLD PLATING ON CONTACT AREA AND TIN ON SOLDER TAIL.

1. MARK PART WITH MFG LOGO, MFG NAME, PART NUMBER, AND DATE CODE.

UL UL RECOGNIZED - FILE #E196366 AND E169987.

RoHS COMPLIANCE, PER EU DIRECTIVE 2002/95/EC.

JACK CAVITY CONFORMS TO FCC RULES AND REGULATIONS.

ORIGINATED BY QIN	DATE 04-17-06	TITLE MagJack® Combo (staggered pin)	PART NO. / DRAWING NO. C893-1AX1-J9	STANDARD DIM. TOL. IN INCH	[] METRIC DIM. AS REFERENCE	
DRAWN BY TING	DATE 04-17-06		FILE NAME C8931AX1J9PB.DWG	.X .XX .XXX	UNIT : INCH [mm]	REV. : PB
				±0.004	SCALE : N/A	PAGE : 4

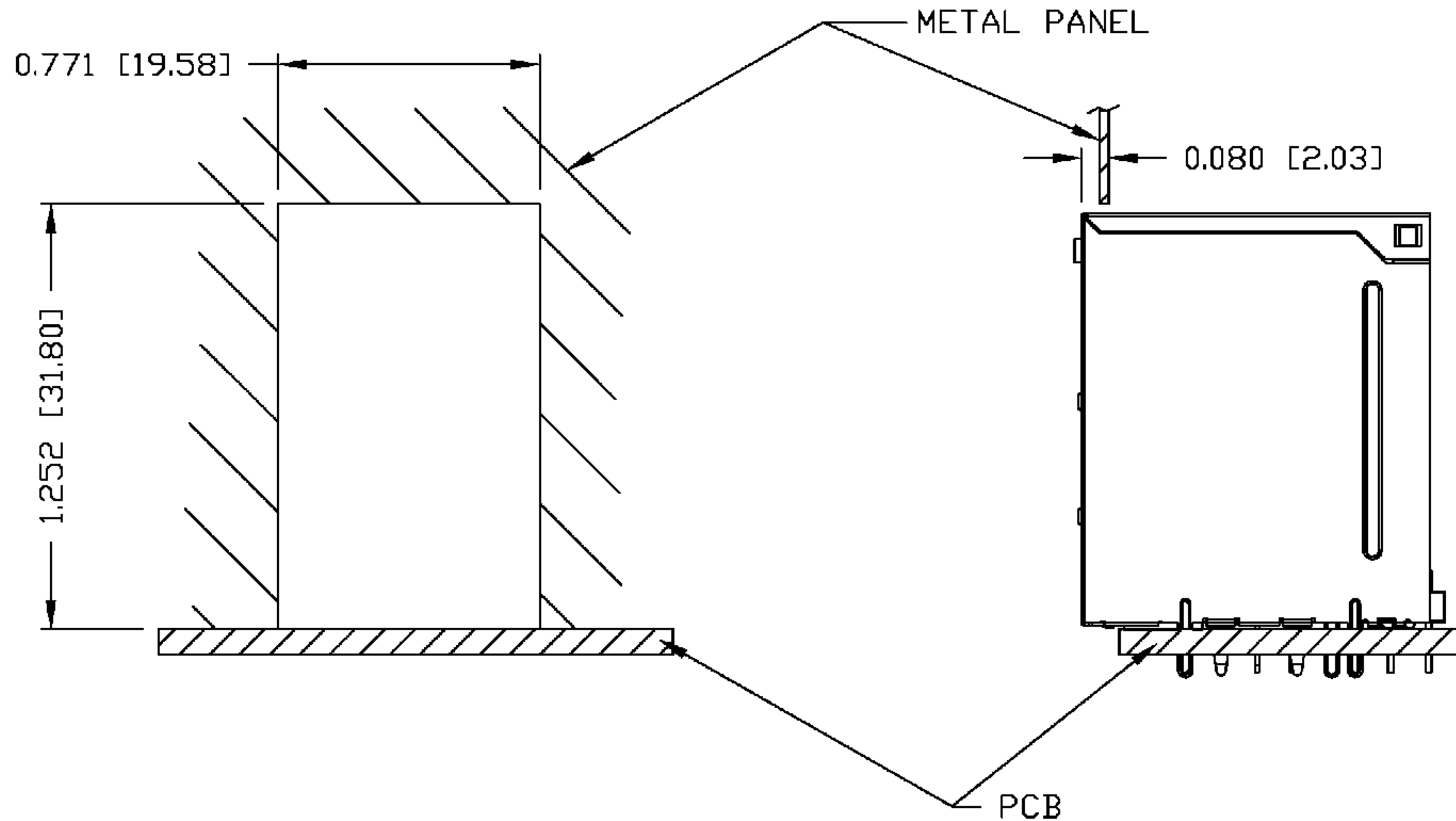


THE INFORMATION CONTAINED HEREIN IS CONSIDERED "PROPRIETARY" TO BEL FUSE INC. AND SHALL NOT BE COPIED, REPRODUCED OR DISCLOSED WITHOUT THE WRITTEN APPROVAL OF BEL FUSE INC.



PRELIMINARY

SUGGESTED PANEL OPENING



NOTE:

THE DISTANCE OF PANEL INSIDE SURFACE RELATIVE TO FRONT SURFACE OF PART IS ONLY A SUGGESTION. IN CASE THIS DISTANCE IS DIFFERENT, THE REQUIRED PANEL OPENING DIMENSIONS CHANGE ACCORDINGLY.

PACKING INFORMATION

PACKING TRAY : 0200-9999-H3 (TOP)
0200-9999-H4 (BOTTOM)

PACKING QUANTITY : 35 PCS FINISHED GOODS PER TRAY
9 TRAYS (315 PCS FINISHED GOODS) PER CARTON BOX

NOTE : CARDBOARDS ARE PLACED BETWEEN LAYERS OF PACKING TRAY INSIDE CARTON BOX
(INCLUDE THE UPPERMOST AND LOWERMOST TRAY)

ORIGINATED BY QIN	DATE 04-17-06	TITLE MagJack® Combo (staggered pin)	PART NO. / DRAWING NO. C893-1AX1-J9	STANDARD DIM. TOL. IN INCH	[] METRIC DIM. AS REFERENCE	
	DATE 04-17-06		FILE NAME C8931AX1J9PB.DWG	.X .XX .XXX ±0.004	UNIT : INCH [mm]	REV. : PB
					SCALE : N/A	SIZE : A4
						PAGE : 5

